



## FEATURED PRODUCTS HOTELS & COMMERCIAL DESIGN



NOBLE 3032



NOBLE 3032P

### Noble 3032 1.28 GPF Flush Valve for WC

These touch free electronic flush valves have a solid brass body and a heavy-duty 10" X 7" stainless steel AISI316 panel. Activated by an automatic infrared sensor, the series features options for manual or piezo override push buttons with anti-block features.



PVD Polished Brass



PVD Copper



Stainless Steel  
AISI316 Material



Stainless Steel  
(Brushed Nickel)



PVD Antique Bronze



PVD Rose Gold



Matt Black

### Special Finishes

Selected products are now available in a wide variety of special finishes including PVD Polished Brass, PVD Copper, PVD Rose Gold, PVD Antique Bronze, Matt Black OP, Stainless Steel AISI316 Material and Stainless Steel brushed nickel.



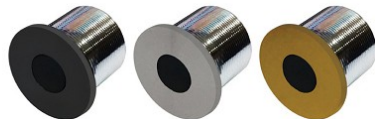
COOL BRE



COOL

### COOL Touch Activated Electronic Lavatory Faucets

A glass filler faucet for drinking fountains, coolers and water stations. It automatically activates upon touch. The water flow can be adjusted for a specific cup, glass, or bottle size.



### Prox Sensors with Special Finishes

Touch free prox sensor operation now available in a wide variety of special finishes to complete the interior design of your commercial restroom.



### Csaba Faucet & Csaba Soap Dispenser

The newest additions to our touch free deck mounted series are breaking design barriers. Meet Csaba, our matching faucet and soap dispenser now available in a wide range of special finishes.



### Foot WashFree and Foot WashFree 3000

Self-closing, touch operated, solid brass, wall mounted foot washers. Designed for convenient foot washing at the beach or pool and for ritual foot washing.



### Underbasin TMV

Our newest high quality thermostatic mixing valve. Heavy-duty, solid brass and lead free. Provides an innovative cost effective solution for safe water temperature delivery.

# CSABA FAUCET



This electronic deck mounted faucet is operated by an IR sensor that is concealed in the spout. The Csaba faucet is powered by IP67 dual power input box that allows the faucet to be used with a 9V battery or a 9V transformer and incorporates an integrated back up system to be used with 9V lithium battery enabling the faucet to be used normally in case of power failure. In addition, the sensor settings are customizable by remote control.

**Installation:** Deck mounted

**Power Supply Options:**

- IP67 Dual power input box with a 9V battery (battery not included)
- IP67 Dual power input box with a 9V transformer

**Operating pressure:** 0.5 - 8.0 BAR (7 - 116 PSI).

With a pressure over 8 bar, use a pressure reducing valve.

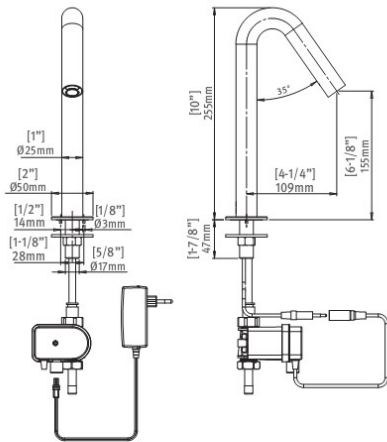
**Water supply:** Cold or premixed water

**Water Saving options:**

- 0.5 GPM / 1.89 LPM - PCA spray
- 1.0 GPM / 4 LPM - PCA spray

**Water temperature:** 70°C Maximum

**Security Time:** Auto shutoff after 90 seconds. adjustable by remote control



Special finishes available according to order quantity



Certified to NSF/ANSI 372

# CSABA SOAP DISPENSER



This electronic deck mounted soap dispenser is operated by an IR sensor concealed in the spout. It is suitable for regular installation, with the soap bottle below the deck, or remote installation with a bottle support kit that can be secured to the wall. This Csaba soap dispenser incorporates a peristaltic pump that allows the use of any kind of liquid soap, detergent or antibacterial gel for maximum savings and is powered by a 12V transformer or battery box for six (6) DD batteries.

**Installation:** Deck mounted

**Power Supply Options:**

- Battery box for six (6) DD batteries
- 12V transformer

**Soap:** 1 Liter soap bottle.

Viscosity for liquid soap: 100-3800 cP (mPa · s)

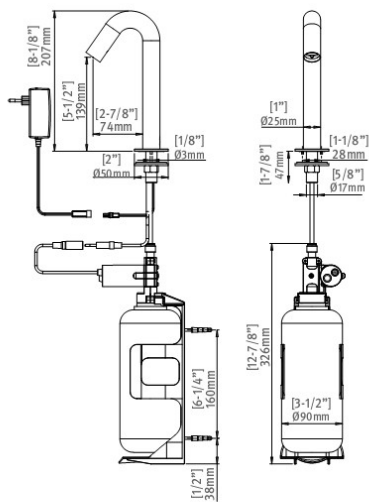
Liquid soap pH: 5.5-8.5

Viscosity for foam soap: 0-100 CP (mPa · s)

Foam soap pH: 5.5-8.5

**Soap Dose:** Factory setting for 0.7 to 0.9 cc. The soap quantity can be changed using the soap dispenser's remote control.

**Refill:** Easy to use refill button in order the soap will start to come out of the soap dispenser spout. This function can also be performed with the remote control.



Special finishes available according to order quantity

## NOBLE 3032 CONCEALED FLUSH VALVE FOR WC

### Improved sanitation and water conservation in commercial toilets

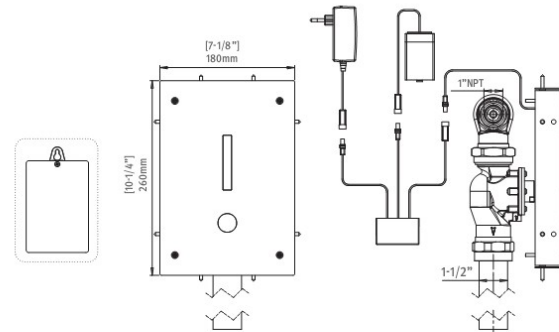
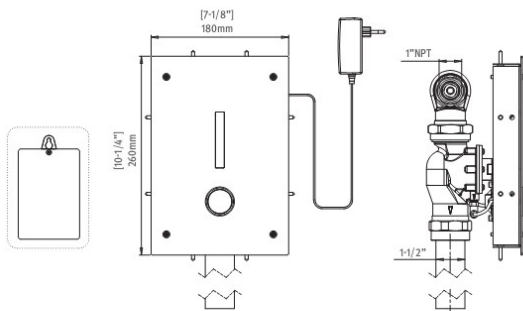
Our original high-efficiency concealed toilet flush valves are now available with 1.28 GPF allowing you to balance water efficiency. Designed specifically for the US market according to our customer needs, conforms with ASSE 1037.



NOBLE 3032



NOBLE 3032P



## FOOT WASHFREE SERIES

- Easy touch activation
- Extra water saving options
- Drastically reduced maintenance costs
- Stable and accurate water discharge
- Vandal resistant design
- Non-hold open feature
- Anti-clog flexible silicone nozzles



**Installation:** Exposed wall mounted

**Power supply:** 9V battery

**Operating pressure:** 0.5-8.0 bar (7-116 PSI)

**Water supply:** Cold and premixed water

**Default water flow:** 9 lpm / 2.38 gpm

**Water saving options with flow restrictor:**

- 7 lpm / 1.85 gpm • 6 lpm / 1.59 gpm

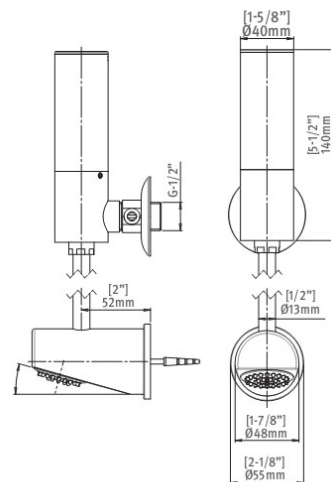
**Flow Time:** Minimum flow time: 1 second

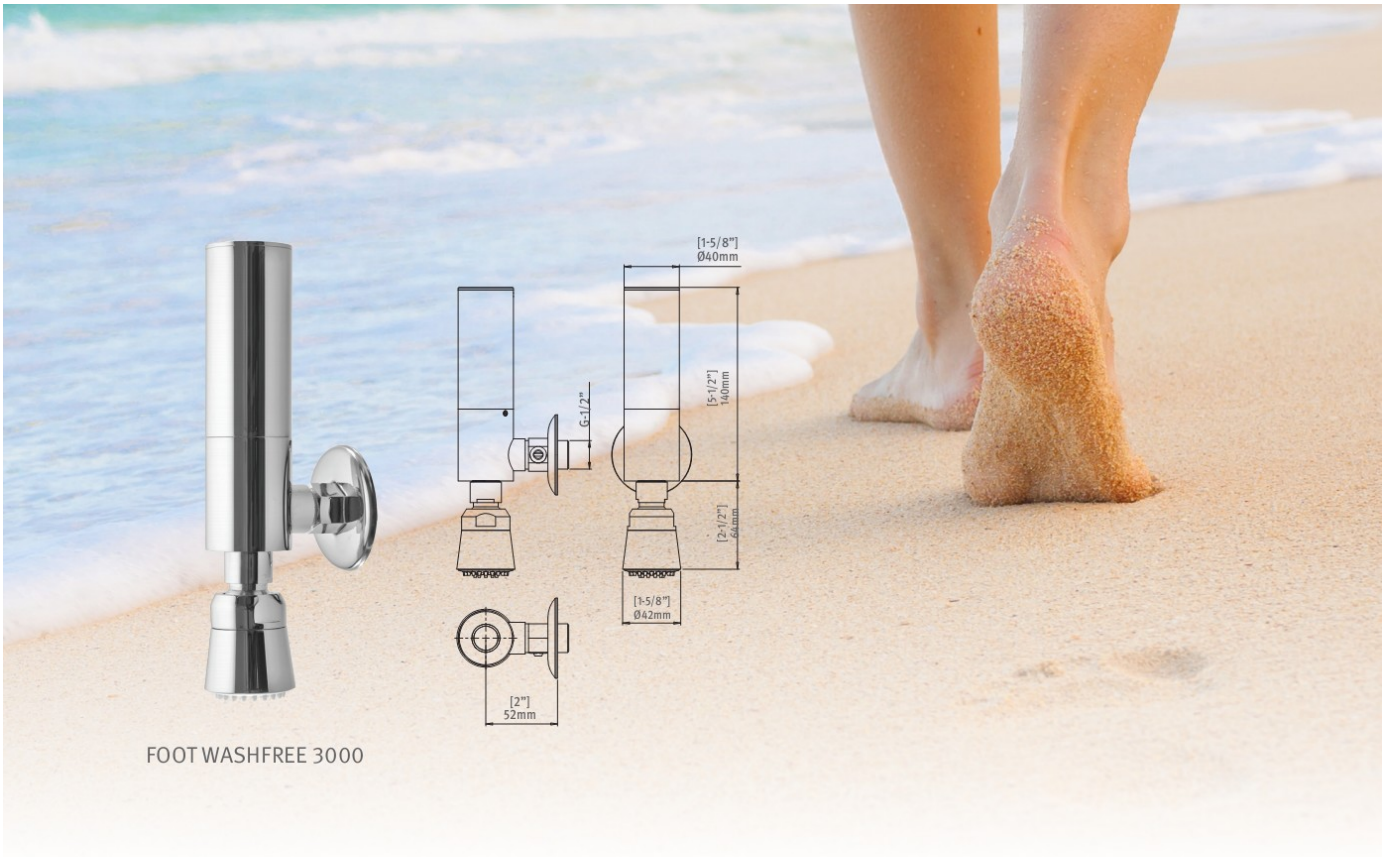
Maximum flow time: 60 seconds

Factory set flow time: 8 seconds, adjustable



FOOT WASHFREE





FOOT WASHFREE 3000

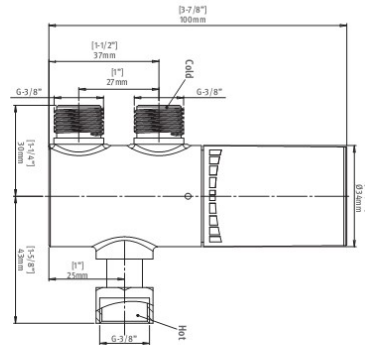
## UNDERBASIN THERMOSTATIC MIXING VALVE



### High level protection against scalding and thermal shock

Our high quality, heavy-duty thermostatic mixing valve provides an easy, cost effective solution for hot water control to ensure constant, safe outlet temperatures. Stern's Underbasin TMV should be fixed firmly to the angle valve of our faucets, allowing no movement.

- Set and lock hot water temperature
- Adjust water temperature manually
- Limit the maximum water temperature



ASSE 1070



CSA B-125



**STERN ENGINEERING LTD.**

777 Passaic Avenue Clifton NJ, 07012  
Tel: +1-973 773 8011 Toll Free: 1-800-4364410  
i n f o @ s t e r n f a u c e t s . c o m

[www.sternfaucets.com](http://www.sternfaucets.com)  
[www.sternfaucets.es](http://www.sternfaucets.es)

01500395-B 10.2019