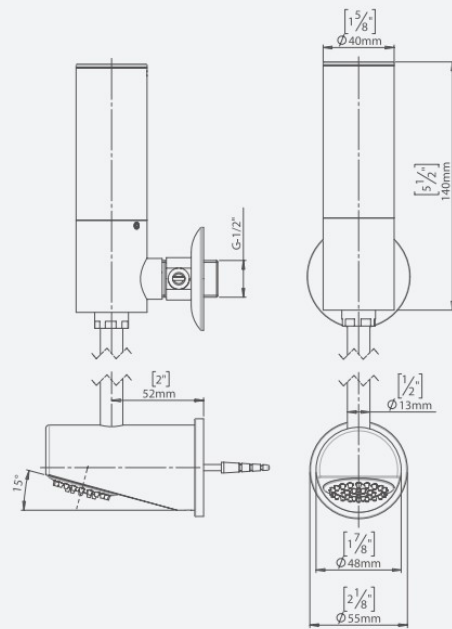




## FOOT WASHFREE

The heavy duty model features a two-point rigid fixation to the wall.

Code Number: 113730



**Installation:** Exposed wall mounted

**Power supply:** 9V battery

**Operating pressure:** 0.5-8.0 bar (7-116 PSI)

**Water supply:** Cold and premixed water

**Default water flow:** 9 lpm / 2.38 gpm

**Water saving options with flow restrictor:**

- 7 lpm / 1.85 gpm
- 6 lpm / 1.59 gpm

**Flow Time:**

**Minimum flow time:** 1 second

**Maximum flow time:** 60 seconds

**Factory set flow time:** 8 seconds, adjustable



- Easy touch activation
- Extra water saving options
- Drastically reduced maintenance costs
- Stable and accurate water discharge
- Vandal resistant design
- Non-hold open feature
- Anti-clog flexible silicone nozzles

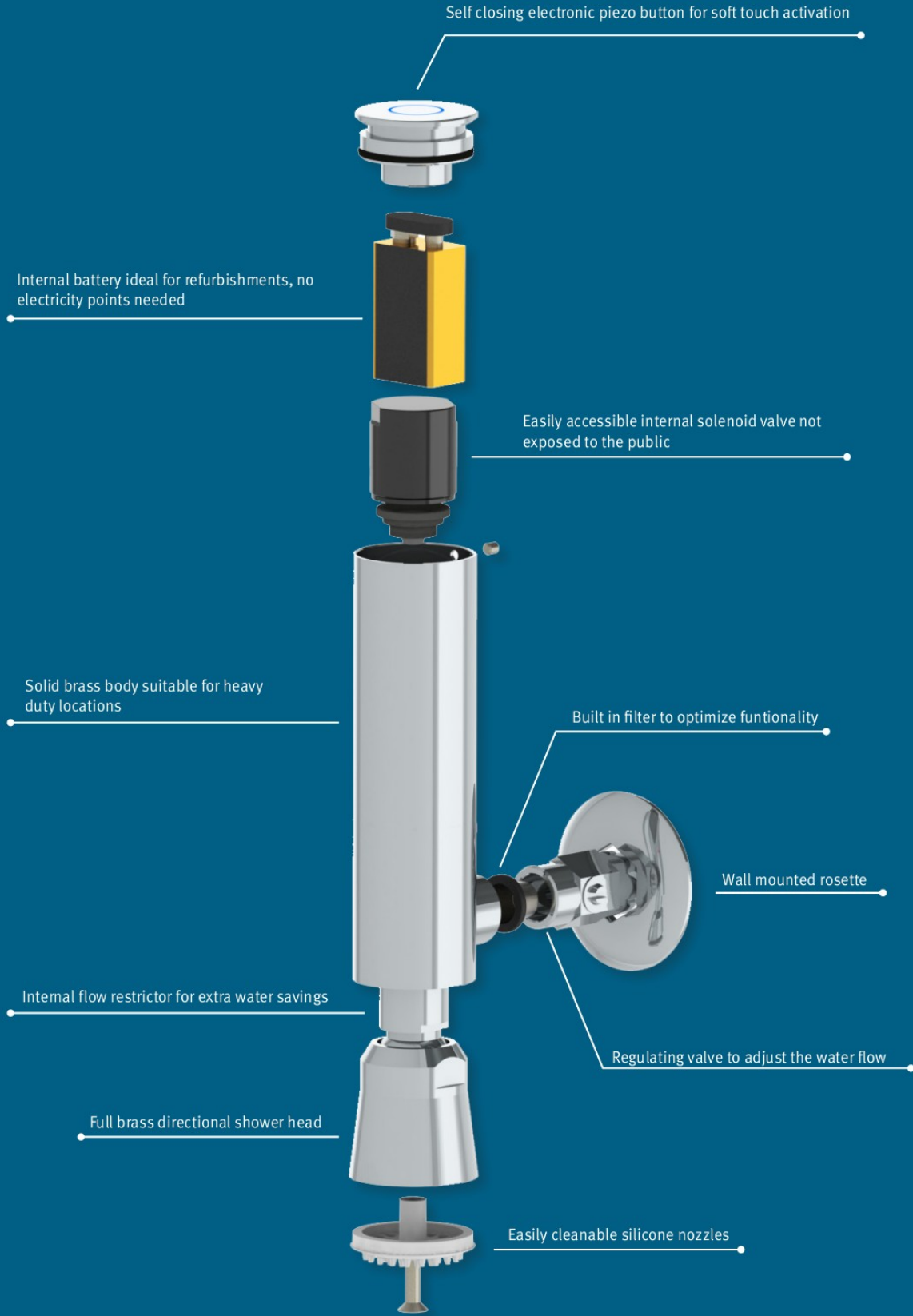


The Foot Washfree Series has been designed for convenient foot washing at the beach or pool and for ritual foot washing. The heavy duty chrome plated brass construction is ideal for high traffic locations. Foot Washfree is operated by a piezo element integrated in the cap and is suitable for cold or pre mixed water.

The flow time is programmable on site by lightly touching the piezo cap and is managed electronically, without the need to cut off the water supply. This greatly reduces maintenance time and the risk of flooding. The flow time can be adjusted and has a factory set flow time of 8 seconds. The water flow can be stopped with the On-Off feature by simply touching the piezo cap for more water saving options.



In addition, the self-closing control provides an accurate water discharge for water conservation with a non-hold open feature that prevents the possibility of continuous flow caused by vandalism. The shower head on both models features anti-clog, flexible silicone nozzles designed for easy cleaning. The silicone nozzles also have a low sensitivity to lime and dirt, drastically reducing maintenance costs.

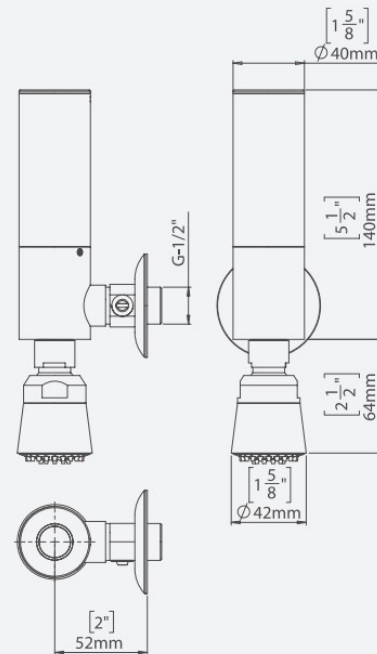


## FOOT WASHFREE 3000

## FOOT WASHFREE 3000

The stylish model features a directional shower head.

Code Number: 113720



**Installation:** Exposed wall mounted

**Power supply:** 9V battery

**Operating pressure:** 0.5-8.0 bar (7-116 PSI)

**Water supply:** Cold and premixed water

**Default water flow:** 9 lpm / 2.38 gpm

**Water saving options with flow restrictor:**

- 7 lpm / 1.85 gpm
- 6 lpm / 1.59 gpm

**Flow Time:**

**Minimum flow time:** 1 second

**Maximum flow time:** 60 seconds

**Factory set flow time:** 8 seconds, adjustable



**STERN ENGINEERING LTD.**

777 Passaic Avenue Clifton NJ, 07012  
Tel: +1-973 773 8011 Toll Free: 1-800-4364410  
info@sternfaucets.com

www.sternfaucets.com  
www.sternfaucets.es

