

Uniclass PR_40_20	CAWS N13
CI/SfB	(74)

# BlueBook

bathrooms washrooms and showers

non-residential supplement

*Armitage  
Shanks*

# Contents

<b>Introduction</b>	1:1:1
<b>WCs</b>	
Close coupled	2:1:1
Back-to-wall	2:2:1
Low level	2:3:1
Wall mounted	2:4:1
Cisterns and fittings	2:5:1
Conceala Cisterns Matrix	2:6:1
Seats	2:7:1
<b>Washbasins</b>	
Pedestal and Wall	3:1:1
Semi-countertop	3:2:1
Countertop	3:3:1
Under-countertop	3:4:1
Handrinse	3:5:1
Fittings	3:6:1
<b>Wash Troughs</b>	
Solid Surface	4:1:1
Stainless Steel	4:2:1
<b>Brassware</b>	
Contract	5:1:1
<b>Soap Dispensers</b>	
	6:1:1
<b>Showers</b>	
Valves and mixers	7:1:1
Kits and fixed heads	7:2:1
<b>Urinals</b>	
Bowls	8:1:1
Troughs and slabs	8:2:1
Fittings	8:3:1
<b>Sinks</b>	
Ceramic	9:1:1
Stainless Steel	9:2:1
Fittings	9:3:1
<b>Fountains</b>	
	10:1:1
<b>Doc M Packs</b>	
Introduction	11:1:1
WC Rooms	11:2:1
Cubicles	11:3:1
Shower/Changing	11:4:1
Urinal	11:5:1
<b>Special Care</b>	
Care products	12:1:1
Rails and hinged supports	12:2:1
<b>Hospitals</b>	
HTM/HBN 00-10	13:1:1
<b>Index</b>	
	14:1:1



Armitage  
Shanks

# The expert brand for experts

2017 marked the 200th anniversary of Armitage Shanks manufacturing products for commercial washrooms and bathrooms in the UK.

We have a strong position in every sector of the construction market and a wealth of knowledge we are happy to share with you.

Feel free to call, email or visit us to tap into some of our expertise...whether it be with clarification on building regulations, BREEAM or accessibility or to satisfy yourself that your combination of products will work most efficiently.

## The new Bluebook Commercial Supplement

In this supplement we are only showing products for commercial buildings. It covers products for hospitals, schools, offices, Part M, leisure, stadia and almost any commercial washroom or bathroom you are likely to need.

It includes many new products for hospitals, healthcare, schools and Part M demonstrating new features to enhance the looks and functioning of commercial buildings.

In particular you will find details of Contour 21+ and Markwik 21+ - a totally new approach for hospitals to help in the fight against hospital acquired infections.

Hopefully you will find the supplement an easy guide to cover the key information you require. For more information and full downloadable support material visit [www.thebluebook.co.uk](http://www.thebluebook.co.uk)



We have factories across Europe including our Wittlich factory in Germany ensuring quality control and engineering excellence.



# We have the solution...

No two projects are the same, each type of building carries its own unique set of demands. Armitage Shanks have the products which meet and often exceed the statutory demands required in all applications.

We have a wealth of expertise in-house to provide support and advice in every sector of the market whether your project is new-build or refurbishment.

## Business support

Call us for information on Armitage Shanks and Ideal Standard products or any other issue relating to water delivery in your project.

Telephone 0870 122 8822  
Monday to Friday  
9:00am - 5:30pm

### Hospitals

Pathogenic bacteria evolve fast. Infection control specialists know that winning the fight against them demands microscopic attention to detail.

That is why we have followed a rigorous approach to our new Contour 21+ and Markwik 21+ hospital ranges to ensure they address some of the key concerns of NHS experts, microbiologists and leading universities.

Ceramics and mixer taps combine to offer our most advanced healthcare solutions yet.

### Schools

Research proves that clean, safe and functioning school toilets promote improved behaviour, and have a positive influence on children's health, willingness to learn and attendance.

Armitage Shanks have developed the Splash range of washroom sanitaryware for schools – a bright and engaging design with vibrant coloured WC seats and flush plates.

### Offices

Washrooms make a statement about a company's management attitude towards the people who work within it. The facilities will also influence a visitors opinion of the organisation and the standard the company sets for itself, clients and suppliers.

Armitage Shanks offer a comprehensive collection of office washroom products today.

### Doc M

The Equality Act 2010 requires that commercial and public buildings are suitable for use by disabled people. We have developed specialist products in consultation with national disabled groups, to meet the requirements of Doc M in an extensive range of applications.

### Hotels

Guests expect to be impressed and inspired by their room's en-suite. The hotelier, however, must look beyond aesthetics, balancing style with ease of cleaning and maintenance, performance with durability, and ergonomics with water saving, particularly in washrooms. We achieve this balance consistently and without compromise.

### Leisure

The growth in building for leisure activity is huge; from the small town museum to a music arena, from a local golf course clubhouse to a shopping mall. Whatever size the task we can provide aesthetically pleasing, easy to maintain washrooms to meet the demands.

### Stadia

Good washroom facilities for sport fans and participants are now an expectation at all venues. From large National Stadia to cost effective washrooms at local sports clubs, our products are designed for heavy demands whilst minimising water wastage.

### Essential Sector Brochures

Our invaluable guides to specialist sectors.  
Call 0800 590311



Hospital brochure



Part M brochure



Washroom brochure



Schools brochure



# What's new... Contour 21+

The clinical solution that leaves nothing to chance



## CONTOUR 21+ basin

Infection control professionals know that hygiene depends on rigour.

That's why we developed our MARKWIK 21+ and CONTOUR 21+ ranges to work together – to meet regulations and provide the highest levels of infection control.

Our CONTOUR 21+ basin with SmartGuard+ has a smooth hydrophilic glaze containing antimicrobial additives, and this, together with an innovative shape, makes it our most advanced basin for healthcare yet.

SmartGuard<sup>+</sup>

### 1. Anti-splash design

The CONTOUR 21+ basin features our patented Hydrofin to significantly reduce splashing.

It is fully effective when paired with the MARKWIK 21+ mixer. The basin itself has been developed in partnership with Goodwin Hartshorn, using fluid dynamics to optimise the removal of water and debris.

### 2. High-tech hygienic surface

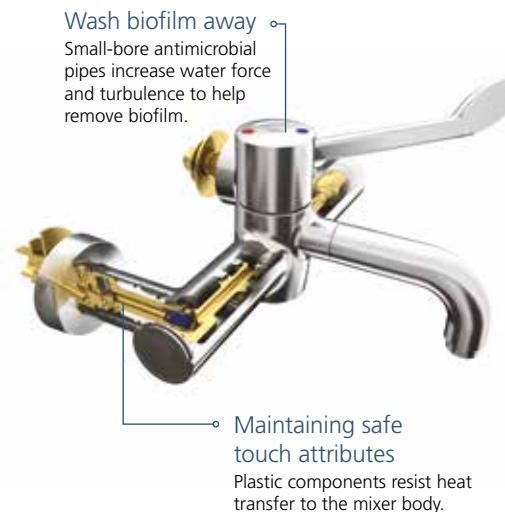
Our healthcare ceramics use an extra-smooth hydrophilic glaze SmartGuard+ – making it easier for water to drain off and harder for bacteria to adhere. SmartGuard+ is an ionic silver antimicrobial additive, which helps prevent the build-up of biofilm. This protection lasts for the lifetime of the product, making cleaning easier and reducing the threat of cross-contamination.

### 3. Better drainage

Developed from CFD experts at Sheffield Hallam University, CONTOUR 21+ features a design that improves flow and reduces water retention. A simplified waste assembly removes the “steps” and hanging points that can lead to pooling. It enables water to drain away quickly and smoothly.

## MARKWIK 21+ mixer

Research-driven innovation has created a new healthcare standard for taps and mixers, with a range of innovative patent-pending features, from autoclave-ready spouts to built-in thermal cleansing features.



### Fewer polymers, more metal

Brass discourages bacteria. Where plastic is used, we have chosen grades that are less attractive to bacteria.

### Thermostatic cartridge

One-piece design means easier changing and cleaning. Less plastic means reduced bacteria build-up.



## The ultimate solution

The MARKWIK 21+ deck mixer and CONTOUR 21+ basin combination is the first truly clinical deck mixer solution. It's fully demountable and brings the advantages of the clinical hand basin to general areas.



# Call for back up...

## Business Support

Business Support is our specialist service created as a 'one stop shop' to work alongside you until your project reaches a successful conclusion. We can bring all our expertise and product knowledge to bear on your behalf, however large or small your budget is - we're effectively a partner in parallel.

Business Support is the full package, we:

- hold a huge amount of information and experience in water delivery
- can advise on issues around environment legislation and health and safety
- can match appropriate products to specific applications
- work with you to prepare estimates, costings and schedules
- track projects from proposal to completion
- advise on after care, maintenance and provide guarantees



## Free support

All you need to do is throw us a problem or two... we live to overcome issues, and we are pretty good at it. There isn't anything comparable anywhere else in the sector.

We can make life much easier for you whether you are a solo plumber or one of a team of internationally renowned architects - and it's a complimentary service.

Just call us on 0870 122 8822  
Monday to Friday 9:00 - 5:30pm

# or come and meet us



The Bath Room is a unique space and resource centre for architects and interior designers in the heart of London's Clerkenwell.

The experienced team are available to offer practical advice in the planning and designing of bathrooms and washrooms for any project from luxury hotels to offices and residential properties.

## Informal face-to-face consultations

The Bath Room provides:

- a relaxed, sales-free environment where you can experience products hands-on
- suggestions for different product and layout combinations
- practical help with regulations and budget planning
- a meeting room to bring your clients
- a presentation area where proposals can be mocked-up for you

And of course, there's good tea and coffee.



## Complimentary events and presentations

There will be a programme of CPD (Continual Professional Development) presentations and features on relevant subjects throughout the year.

## Get in touch

The Bath Room  
2nd Floor  
99 Charterhouse Street  
London EC1M 6HR

Tel: +44 (0) 20 7253 4776  
(Mon - Fri 9:00am - 5:30pm)  
Fax: +44 (0) 20 7250 1072

# Using the Blue Book...

The Blue Book by Ideal Standard and Armitage Shanks is the industry bible, with over 5,000 dedicated listings, it has become the UK's largest collection of bathroom and washroom products. This non-residential supplement features the latest editions to this extensive range.

**Brassware**  
**Contour 21+**  
thermostatic sequential basin mixer

Deck mounted thermostatic basin mixer with lever operation for use on one taphole basins. Long lever gives precise control.

November 2017  
Product No. Contour  
Date of Issue

ARMITAGE SHANKS

Commercial and Doc M use  
Anti-vandal laminar flow outlet  
Copper or flexible tails  
Water saving

**Illustrated**  
A6688 Contour 21+ 1 hole thermostatic basin mixer, sequential lever with flexible tails

**Material**  
Chrome Plated Brass

**Weight**  
2.1kg

**Finishes**  
Chrome (AA)

**Options**  
A6697 Contour 21+ 1 hole thermostatic basin mixer, sequential lever with copper tails

**Special notes**  
Single sequential lever for on/off operation and temperature control. Supplied with service valves which include isolators, strainers, check valves, flow regulators and 15mm compression connections. Temperature factory set to 40±1°C. Suitable for high and low pressure systems. Factory fitted 3.8 litres per minute flow regulator in an anti-vandal housing. 1.9 litres per minute Eco spray outlet also supplied. Clamping ring with three fixing screws for added security. WRAS NO. 1705011

15mm compression

5 : 1 : 9

Armitage Shanks

Quickbite product overview

Product image reference

Clear specifier information

Colour coded sector locators

Detailed specification diagrams

Quick reference icons

# ...online

We've put the Blue Book online, powered by IdealSpec it offers a specifier tool that generates documentation in NBS format and downloadable CAD files. It's an interactive professional specification system that is unique to Armitage Shanks and Ideal Standard.

# and on the move...



For the busy professional working on site the new Blue Book website has been optimised for use on smartphones.

# The Power of BIM

Building Information Modelling (BIM) is rapidly transforming complex building processes - speeding project completion, lowering costs and improving overall quality at the same time.

Armitage Shanks is fully committed to supporting those in the construction sector that use BIM.

## Register online

Register online and download BIM objects in the format of your choice.

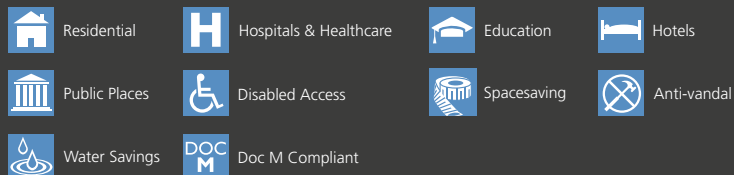
## BIM objects

BIM objects created from original manufacture drawings for realistic high definition images - ability to render in seconds.

## 5000 models

Over 5,000 product SKUs modelled to the most demanding specification.

## Icon key



## Doing our bit...

From innovation through to the manufacturing process and finished product, we are continually identifying new ways to preserve the environment.

- we design products, processes and operating facilities to conserve resources and energy
- we have a clearly defined environmental policy, whether it's waste or water, we aim to reduce, re-use, re-cycle and recover
- we integrate environmental protection into all of our activities and processes, through an Environmental Management System compatible with the International Standard ISO 14001 within each of our business units
- we've invested over £10m at our manufacturing plants over the last 10 years to improve our efficiency, reduce waste and conserve resources
- we regularly review our policies to ensure they continue to be appropriate to our production activities - a common value shared with each employee and all our facilities
- waste from our plants are recycled as raw materials for use as tiles and bricks and where possible we take re-cycled products and use them in our product



# What price water



Ideal Standard and Armitage Shanks are committed to the conservation of water resources.

For over 40 years Ideal Standard and Armitage Shanks have been at the forefront of development with ground breaking water efficient technologies.

We believe it makes good environmental and financial sense to use water efficiently, maximising its benefit and minimising its wastage. Our designers and engineers have produced a collection of products whose water saving credentials are matched by their style and performance.

These include basin mixers with factory fitted 5 litre per minute flow regulators, low flush WC suites with 4 and 2.6 litre dual flush and our popular baths include water saving models with capacities as low as 130 litres.

Armitage Shanks and Ideal Standard also manufacture a wide choice of sanitaryware and fittings to meet all aspects of Part G building regulations for new homes.

## Environmental and water saving considerations are increasing in importance.

We can help you achieve the best BREEAM ratings as well as offer advice on how you can save money on projects by using products listed on the Defra Water Technology List.

The Water Technology List is compiled by Defra to support the Enhanced Capital Allowance Scheme. The scheme enables companies to claim 100% first year capital allowance against any water saving product listed on the scheme - including installation costs. Look out for this logo for WTL products.



## Water Saving

# Water Label



The European Bathroom Forum recognises the crucial role they can play, in educating the end user, to make an informed choice during the selection of water and energy using bathroom products, via ONE Labelling Scheme. It is a well researched fact, that 70% of water used within the domestic environment is associated with bathing and washing functions and over 25% of consumer energy bills are linked to heating this hot water.

The Water Label is a voluntary, cost effective and flexible labelling scheme for the reduction of water consumption.

The scheme provides easy access to a database of bathroom products when installed and used correctly will use less water, save energy and save money.

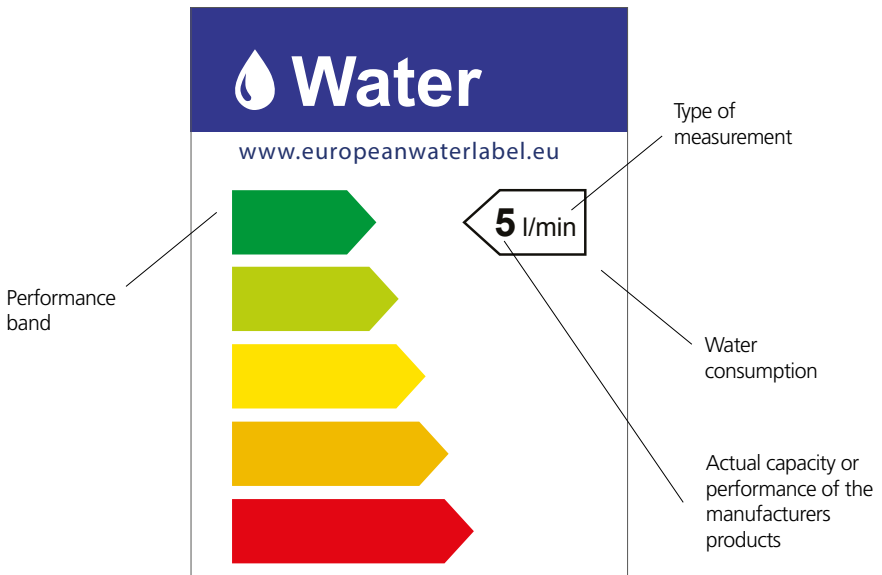
Scheme covers the following products areas:

- Baths
- Shower controls
- Grey Water
- Kitchen taps
- Cisterns
- Basin Taps
- Handsets
- WC Suites
- Urinal Controllers

Clear traffic light system label, shows water consumption and rating.

Products with water label can be seen on the water label web site [www.europeanwaterlabel.eu/](http://www.europeanwaterlabel.eu/)

Products carrying the water label are highlighted in the Bluebook.



# WCs



Close Coupled	2:1:1
Back-to-wall	2:2:1
Low Level	2:3:1
Wall Mounted	2:4:1
Cisterns & Fittings	2:5:1
Cisterns Matrix	2:6:1
Seats	2:7:1

## Icon key

-  Residential
-  Public Places
-  Water Savings
-  Hospitals & Healthcare
-  Disabled Access
-  Doc M Compliant
-  Education
-  Spacesaving
-  Hotels
-  Anti-vandal



November 2017	
Uniclass PR_40_20	CAWS N13
CI/SFB	(74)

November 2017	
Uniclass PR_40_20	CAWS N13
CI/SFB	(74)

# WCs

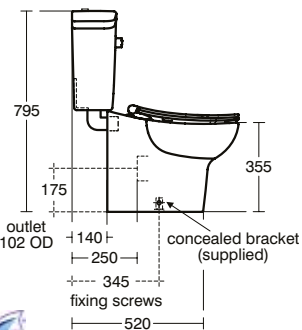
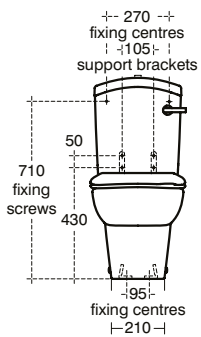
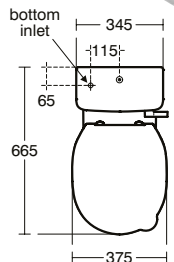
## Close Coupled



# Contour 21 Splash

## close coupled schools 355

Splash WCs designed with the latest water saving technology and incorporating rimless flushing to help improve hygiene.



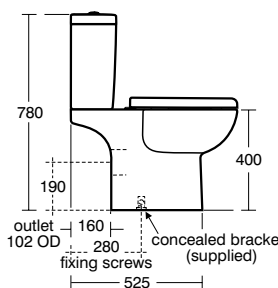
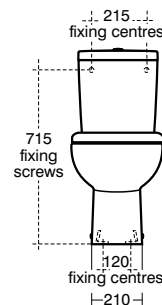
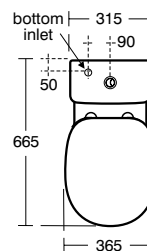
2 : 1 : 4

Tel 0870 122 8822 Fax 0870 122 8282  
Email [info@thebluebook.co.uk](mailto:info@thebluebook.co.uk)  
Online search, specify & CAD: [www.thebluebook.co.uk](http://www.thebluebook.co.uk)

# Profile 21

## close coupled

Contemporary close coupled WC suite for domestic or commercial applications.



2 : 1 : 5

Tel 0870 122 8822 Fax 0870 122 8282  
Email [info@thebluebook.co.uk](mailto:info@thebluebook.co.uk)  
Online search, specify & CAD: [www.thebluebook.co.uk](http://www.thebluebook.co.uk)



Armitage  
Shanks

- Key Stage 2
- 4/2.6 dual flush
- Coordinates with complete Splash range
- Rimless
- Lever or push button options
- Seat and cover or seat rim only available in 4 colours
- Water efficient

**Illustrated**

- S3125** Contour 21 Splash 355mm back-to-wall rimless bowl
- S3260** Contour 21 Splash schools close coupled cistern for 305 / 355 bowls 4/2.6, 6/4 litre - dual flush lever
- S4536** Contour 21 Splash seat and cover for 355mm bowls

**Material**

Vitreous China

**Weight**

- WC pan 19.6kg
- Cistern 12.0kg
- Seat and cover 2.7kg

**Finishes**

Available in White (01)  
Seats available in Yellow (79), Red (GQ), Light Blue (36), White (01)

**Standards**

Vitreous china to BS 3402, BS EN 997 and BS EN 33

**Options**

- S4545** Contour 21 Splash seat ring only for 355mm bowls
- S3261** Contour 21 Splash close coupled cistern for 305 / 355 bowls, 4/2.6, 6/4 litre - dual push button
- S4300** Panekta outlet connector, finned pattern to convert horizontal outlet WCs to S or turned P trap
- S4305** Panekta outlet connector, finned pattern to convert horizontal outlet WCs to P trap

**Special notes**

WC Pan screwed to floor with concealed brackets (supplied) and cistern screwed to wall.

- Domestic and commercial use
- Water efficient
- Slow close seat option

**Illustrated**

- S3092** Profile 21 WC pan close coupled with horizontal outlet
- S3094** Profile 21 close coupled cistern 4/2.6 litre dual flush push button valve, bottom supply and internal overflow
- S4103** Profile 21 seat and cover

**Material**

Vitreous China

**Weight**

- Cistern 11.9kg
- WC pan 23.2kg
- WC Seat and Cover 2.8kg

**Finishes**

Available in White (01)

**Standards**

Vitreous china to BS 3402

**Options**

- S4102** Profile 21 seat and cover, slow close
- S3093** Profile 21 close coupled cistern, 6/4 litre dual flush push button valve bottom supply and internal overflow
- S4305** Panekta outlet connector, finned pattern to convert horizontal outlet WCs to P trap
- S4300** Panekta outlet connector, finned pattern to convert horizontal outlet WCs to S or turned P trap

**Special notes**

WC screwed to floor using concealed brackets (supplied) and cistern screwed to wall



Armitage  
Shanks



Armitage  
Shanks

ARMITAGE SHANKS

Domestic and commercial use  
Water efficient  
Push button dual flush

**Illustrated**

- E8963** Sandringham 21 WC pan with horizontal outlet
- E8967** Sandringham 21 close coupled 4/2.6 litre dual flush valve, bottom supply and internal overflow
- E1316** Sandringham 21 seat and cover
- S9101** Domex screws (pair)

**Material**

Vitreous China

**Weight**

WC pan 17.4kg  
Cistern 14.0kg

**Finishes**

Available in White (01)

**Standards**

Vitreous china to BS 3402

**Options**

- E8966** Sandringham 21 close coupled 6/4 litre dual flush valve, bottom supply and internal overflow
- E1317** Sandringham 21 seat and cover metal hinges
- E1319** Sandringham 21 seat no cover metal hinges
- S2985** Sandringham 21 seat and cover, slow close
- S4305** Panekta outlet connector, finned pattern to convert horizontal outlet WCs to P trap
- S4300** Panekta outlet connector, finned pattern to convert horizontal outlet WCs to S or turned P trap

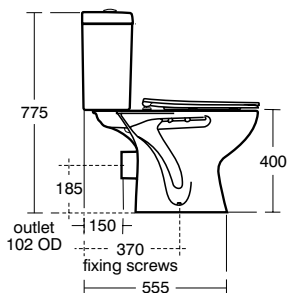
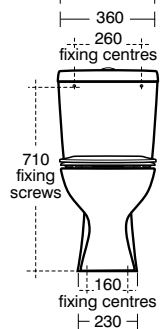
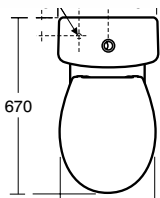
**Special notes**

WC screwed to floor and cistern screwed to wall

# Sandringham 21

## close coupled

Sandringham 21 incorporates a wide range of sanitaryware, bathing and brassware options.



2 : 1 : 6

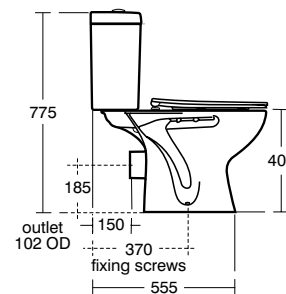
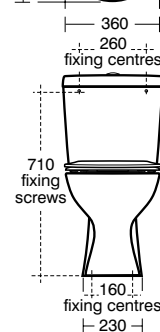
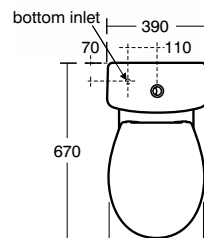
Tel 0870 122 8822 Fax 0870 122 8282  
Email [info@thebluebook.co.uk](mailto:info@thebluebook.co.uk)  
Online search, specify & CAD: [www.thebluebook.co.uk](http://www.thebluebook.co.uk)

ARMITAGE SHANKS

# Sandringham 21

## close coupled lever

Sandringham 21 incorporates a wide range of sanitaryware, bathing and brassware options.



2 : 1 : 7

Tel 0870 122 8822 Fax 0870 122 8282  
Email [info@thebluebook.co.uk](mailto:info@thebluebook.co.uk)  
Online search, specify & CAD: [www.thebluebook.co.uk](http://www.thebluebook.co.uk)

Domestic and commercial use  
Water efficient  
Lever flush  
Spatula lever option

**Illustrated**

- E8963** Sandringham 21 WC pan with horizontal outlet
- E8968** Sandringham 21 close coupled cistern 6 or 4 litre single flush syphon bottom supply and internal overflow
- E1316** Sandringham 21 seat and cover
- S9101** Domex screws (pair)

**Material**

Vitreous China

**Weight**

WC pan 17.4kg  
Cistern 14.0kg

**Finishes**

Available in White (01)

**Standards**

Vitreous china to BS 3402

**Options**

- E1317** Sandringham 21 seat and cover metal hinges
- E1319** Sandringham 21 seat no cover metal hinges
- S2985** Sandringham 21 seat and cover, slow close
- E8763** Sandringham 21 close coupled cistern 6 or 4 litre single flush syphon bottom supply and internal overflow, with cover fastener
- E9002** Sandringham 21 close coupled cistern with spatula lever 6 or 4 litre single flush (reversible) syphon bottom supply and internal overflow
- S4305** Panekta outlet connector, finned pattern to convert horizontal outlet WCs to P trap
- S4300** Panekta outlet connector, finned pattern to convert horizontal outlet WCs to S or turned P trap

**Special notes**

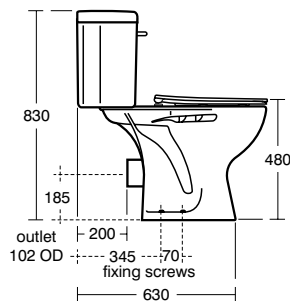
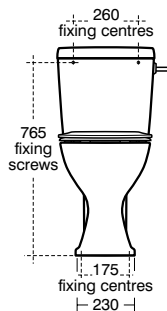
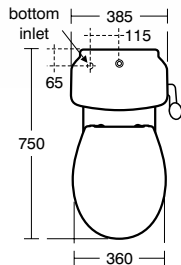
WC screwed to floor and cistern screwed to wall (not supplied)

ARMITAGE SHANKS

# Sandringham 21

close coupled raised height  
75cm projection

Sandringham 21 incorporates a wide range of sanitaryware, bathing and brassware options. The extended cistern gives an overall 750mm projection for Doc M compliance.



**Illustrated**

- E8834** Sandringham 21 raised height close coupled WC - horizontal outlet
- E8987** Sandringham 6 litre single flush bottom supply cistern to achieve 750mm projection
- E1316** Seat and cover, normal close
- S9102** Domex screws (set of 4)

**Material**

Vitreous China

**Weight**

WC pan 19.1kg  
WC Seat and Cover 1.3kg  
Cistern 14.9kg

**Finishes**

Available in White (01)

**Standards**

Vitreous china to BS 3402, BS EN 997 and BS EN 33

**Options**

- E8966** Sandringham 21 close coupled 6/4 litre dual flush valve, bottom supply and internal overflow
- S4063** Bakasan seat no cover with stainless steel rod and metal top fix hinges
- E8967** Sandringham 21 close coupled 4/2.6 litre dual flush valve, bottom supply and internal overflow
- E8968** Sandringham 21 close coupled cistern 6 or 4 litre single flush syphon bottom supply and internal overflow
- E9002** Sandringham 21 close coupled cistern with reversible spatula lever 6 or 4 litre single flush syphon bottom supply and internal overflow
- S2985** Sandringham 21 seat and cover, slow close
- E1317** Sandringham 21 seat and cover, metal hinges, normal close
- E1319** Sandringham 21 seat no cover, metal hinges, normal close

**Special notes**

WC screwed to floor and cistern screwed to wall



2 : 1 : 8

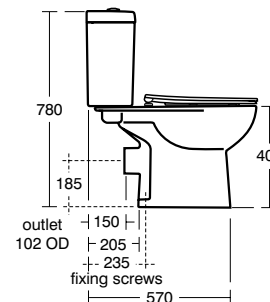
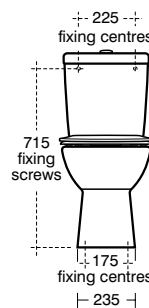
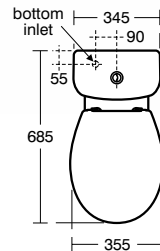
Tel 0870 122 8822 Fax 0870 122 8282  
Email [info@thebluebook.co.uk](mailto:info@thebluebook.co.uk)  
Online search, specify & CAD: [www.thebluebook.co.uk](http://www.thebluebook.co.uk)

ARMITAGE SHANKS

# Sandringham 21

smooth

Sandringham 21 incorporates a wide range of sanitaryware, bathing and brassware options combining simple contemporary design with great value for money. This additional contemporary WC offers an easy clean smooth sided bowl and sleeker cistern



**Illustrated**

- E8221** Sandringham 21 Smooth close coupled WC pan with horizontal outlet
- E8999** Sandringham 21 Smooth close coupled 4/2.6 litre dual flush valve, bottom supply and internal overflow
- E1316** Seat and cover, normal close
- S9101** Domex screws (pair)

**Material**

Vitreous China

**Weight**

WC pan 20.0kg  
Cistern 14.0kg

**Finishes**

Available in White (01)

**Standards**

Vitreous china to BS 3402  
WC Pan to BS EN 987 and BS EN 33

**Options**

- E8998** Sandringham 21 Smooth close coupled 6/4 litre dual flush valve, bottom supply and internal overflow
- S2985** Sandringham 21 seat and cover, slow close
- E1317** Sandringham 21 seat and cover, metal hinges, normal close
- E1319** Sandringham 21 seat no cover, metal hinges, normal close
- S4305** Panekta outlet connector, finned pattern to convert horizontal outlet WCs to P trap
- S4300** Panekta outlet connector, finned pattern to convert horizontal outlet WCs to S or turned P trap

**Special notes**

WC screwed to floor and cistern screwed to wall

Tel 0870 122 8822 Fax 0870 122 8282  
Email [info@thebluebook.co.uk](mailto:info@thebluebook.co.uk)  
Online search, specify & CAD: [www.thebluebook.co.uk](http://www.thebluebook.co.uk)

2 : 1 : 9

November 2017	
Uniclass PR_40_20	CAWS N13
CI/SFB	(74)

November 2017	
Uniclass PR_40_20	CAWS N13
CI/SFB	(74)

# WCs

## Back-to-Wall

# Contour 21+ back-to-wall

Contour 21+ WC pans include new, improved rimless technology and a hydrophilic, smooth glaze with anti-microbial properties along with a cleaner, updated design.

SmartGuard\*



Commercial and domestic use

Hydrophilic glaze with anti-microbial properties

New rimless technology

Raised outlet for multiple installations

Water efficient

New slim soft close seat

**Illustrated**

**S0439** Contour 21+ back-to-wall rimless WC pan with raised horizontal outlet and anti-microbial glaze

**S3643** Conceala 2 cistern 4.5/3 or 4/2.6 litre dual flush valve side supply and internal overflow, alternative height plastic flushbends

**S0670** Contour 21+ slim seat and cover

**E4463** Karisma flush plate, dual flush, chrome plated, unbranded

**Material**

Vitreous China

**Weight**

WC pan 23.9kg

Cistern 2.7kg

**Finishes**

Available in White with SmartGuard (HY)

Seat available in White (01)

**Standards**

Vitreous china to BS 3402. WC pan to BS EN 997 and BS EN 33

**Options**

**S3640** Conceala 2 cistern 4.5 litre single flush valve side supply and internal overflow, alternative height plastic flushbends

**S3617** Conceala 2 cistern 6 or 4.5 litre single flush syphon side supply and internal overflow plastic flushbend, long CP lever

**S4512** Finger push button pneumatic, stainless steel for 31mm maximum thickness partition

**S4305** Panekta outlet connector, finned pattern to convert horizontal outlet WCs to P trap

**S4300** Panekta outlet connector, finned pattern to convert horizontal outlet WCs to S or turned P trap

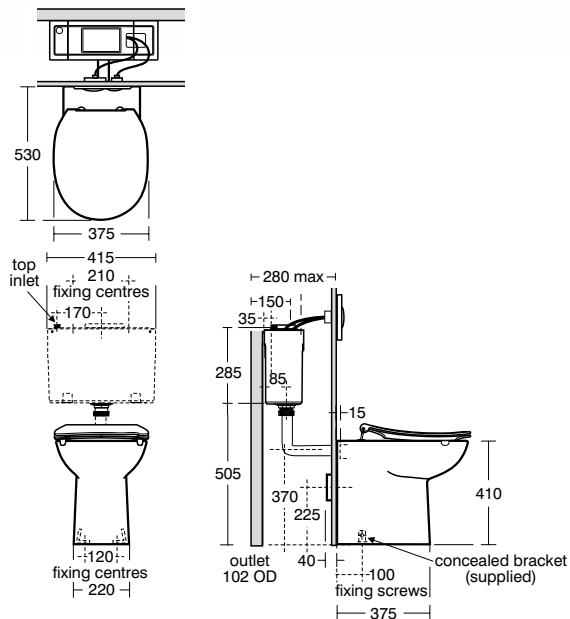
**S4066** Contour 21 seat no cover, top fixing hinges and retaining buffers

**Special notes**

WC pan screwed to floor using concealed brackets (supplied)

Joint to wall sealed with waterproof sealant (not supplied)

When using a lever the concealed cistern should be raised to 565mm from floor to underside of cistern.



# Contour 21+ back-to-wall raised height

Contour 21+ WC pans include new, improved rimless technology and a hydrophilic, smooth glaze with anti-microbial properties along with a cleaner, updated design.

SmartGuard\*



Commercial and domestic use

Hydrophilic glaze with anti-microbial properties

New rimless technology

Raised outlet for multiple installations

Water efficient

**Illustrated**

**S0440** Contour 21+ raised height back-to-wall rimless WC pan with raised horizontal outlet and anti-microbial glaze

**S3617** Conceala 2 cistern for 4.5 litre single flush syphon side supply and internal overflow plastic flushbend, long CP lever

**S4066** Contour 21 seat no cover, top fixing hinges and retaining buffers

**Material**

Vitreous China

**Weight**

WC pan 22.6kg, Cistern 2.7kg

**Finishes**

Available in White with SmartGuard (HY)

Seats available in White (01) Blue (36) Grey (LJ) Charcoal (RN)

**Standards**

Vitreous china to BS 3402. WC pan to BS EN 997 and BS EN 33

**Options**

**S3640** Conceala 2 cistern 4.5 litre single flush valve side supply and internal overflow, alternative height plastic flushbends

**S3643** Conceala 2 cistern 4.5/3 or 4/2.6 litre dual flush valve side supply and internal overflow, alternative height plastic flushbends

**S4066** Contour 21 seat no cover, top fixing hinges and retaining buffers

**S4065** Contour 21 seat and cover, top fixing hinges

**S4513** Palm push button Pneumatic, stainless steel for 31mm maximum thickness partition

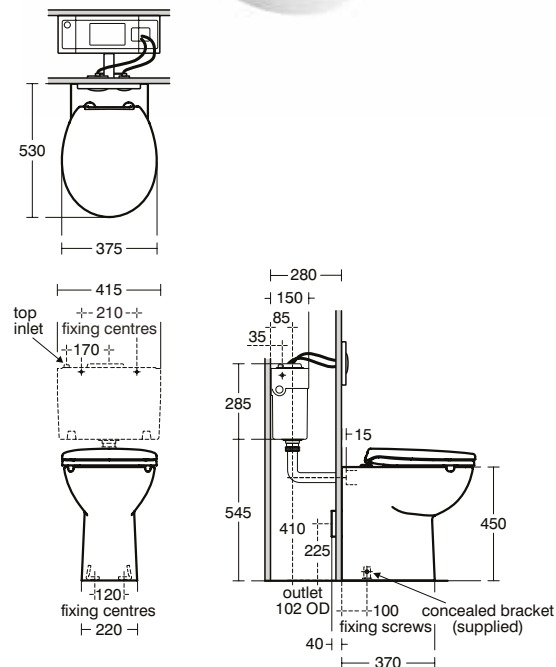
**S4305** Panekta outlet connector, finned pattern to convert horizontal outlet WCs to P trap

**S4300** Panekta outlet connector, finned pattern to convert horizontal outlet WCs to S or turned P trap

**E4463** Karisma flush plate dual flush, chrome, unbranded

**Special notes**

WC pan screwed to floor using concealed brackets (supplied). Joint to wall sealed with waterproof sealant (not supplied). When using a lever the concealed cistern should be raised to 565mm from floor to the underside of the cistern.



# Contour 21+

## back-to-wall 70 - 75cm projection

Contour 21+ WC Pans include new, improved rimless technology and a hydrophilic, smooth glaze with anti-microbial properties, along with a cleaner, updated design.



Commercial and domestic use

Hydrophilic glaze with anti-microbial properties

New rimless technology

Raised outlet for multiple installations

Water efficient

### Illustrated

**S0438** Contour 21+ 75cm projection back-to-wall rimless WC pan with horizontal outlet and anti-microbial glaze

**S3617** Conceala 2 cistern 6 or 4.5 litre single flush syphon side supply and internal overflow plastic flushbend, long CP lever

**S4066** Contour 21 seat no cover, top fixing hinges and retaining buffers

**S6466** Contour 21 back support rail for 75cm projection WC

**S6884** Cushion for back support with clips, new design

**S4302** Contour 21 flushpipe constructed, necessary for installation

### Material

Vitreous China

### Weight

WC pan 35.4kg

WC Cushion 3.9kg

Cistern 2.7kg

### Finishes

Available in White with SmartGuard (HY)

Seats available in White (01) Blue (36) Grey

(LJ) Charcoal (RN)

### Standards

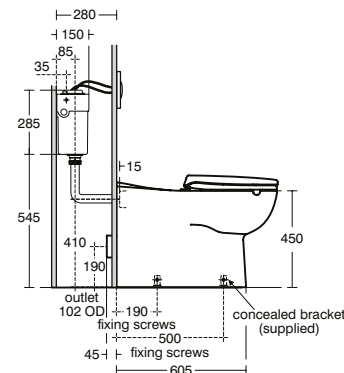
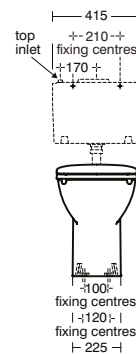
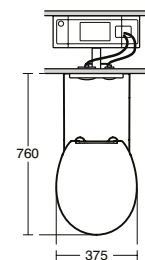
Vitreous china to BS 3402. WC pan to BS EN 997 and BS EN 33

*Continued on next page...*



# Contour 21+

## back-to-wall 70 - 75cm projection



### Options

**S0437** Contour 21+ 70cm projection back-to-wall rimless WC pan with horizontal outlet and anti-microbial glaze

**S3640** Conceala 2 cistern 4.5 litre single flush valve side supply and internal overflow, alternative height plastic flushbends

**S3643** Conceala 2 cistern 4.5/3 or 4/2.6 litre dual flush valve side supply and internal overflow, alternative height plastic flushbends

**S4504** Contemporary flush plate dual flush, Armitage Shanks logo, stainless steel for Conceala 2 cisterns

**S4065** Contour 21 seat and cover, top fixing hinges

**S4067** Contour 21 seat retaining buffers

**S4512** Finger push button pneumatic, stainless steel for 31mm maximum thickness partition

**S4513** Palm push button Pneumatic, stainless steel for 31mm maximum thickness partition

**S4305** Panekta outlet connector, finned pattern to convert horizontal outlet WCs to P trap

**S4300** Panekta outlet connector, finned pattern to convert horizontal outlet WCs to S or turned P trap

**S6481** Contour 21 back support rail for 70cm projection WC, 40 x 17 x 35mm diameter tube

### Special notes

WC pan screwed to floor using concealed brackets (supplied). Joint to wall sealed with waterproof sealant (not supplied)





# Contour 21 Splash

## back-to-wall schools 305

Splash WC bowls are water efficient and incorporate rimless flushing to improve hygiene.



- Key Stage 1
- 4/2.6 Dual Flush
- Coordinates with complete Splash range
- Rimless
- Lever, push button or flushplate options
- Seat and cover or seat rim only in 4 colours
- Coloured flushplate options

**Illustrated**

**S3122** Contour 21 Splash 305mm back-to-wall rimless bowl

**S3643** Conceala 2 cistern 4.5/3 or 4/2.6 litre dual flush valve side supply and internal overflow, alternative height plastic flushbends, no flushplate

**E4465** Karisma flush plate dual flush, branded for Conceala 2 cisterns, chrome

**S4533** Contour 21 Splash seat and cover for 305mm bowls

**Material**

Vitreous China

**Weight**

WC pan 16.9kg  
Cistern 2.7kg  
Flushplate 0.2kg  
Seat and cover 2.7kg

**Finishes**

Available in White (01)  
Seats available in Yellow (79), Red (GQ), Light Blue (36), White (01)  
Flushplates available in Chrome (AA), Blue (36), Yellow (79) and Red (GQ)

**Standards**

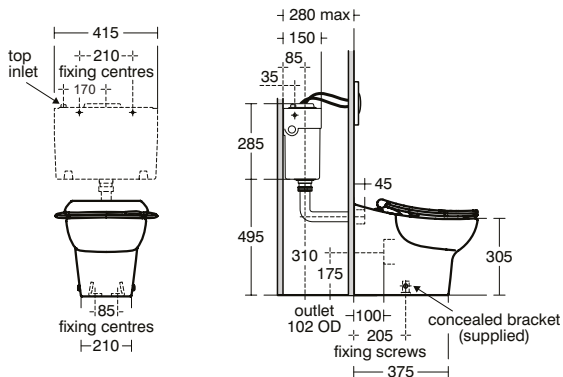
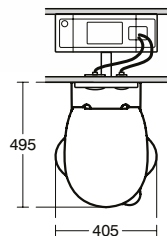
Vitreous china to BS 3402. WC pan to BS EN 997 and BS EN 33

**Options**

**S4305** Panekta outlet connector, finned pattern to convert horizontal outlet WCs to P trap

**S4300** Panekta outlet connector, finned pattern to convert horizontal outlet WCs to S or turned P trap

**S3617** Conceala 2 cistern 4.5 or 6 litre single flush syphon side supply and internal overflow plastic flushbend, long CP lever



2 : 2 : 6

Tel 0870 122 8822 Fax 0870 122 8282  
Email [info@thebluebook.co.uk](mailto:info@thebluebook.co.uk)  
Online search, specify & CAD: [www.thebluebook.co.uk](http://www.thebluebook.co.uk)

# Contour 21 Splash

## back-to-wall schools 355

Splash WC bowls are water efficient and incorporate rimless flushing to improve hygiene.



- Key Stage 2
- 4/2.6 Dual Flush
- Coordinates with complete Splash range
- Rimless
- Lever, push button options or flushplate options
- Seat and cover or seat rim only in 4 colours
- Coloured flushplate options

**Illustrated**

**S3125** Contour 21 Splash 355mm back-to-wall rimless bowl

**S3643** Conceala 2 cistern 4.5/3 or 4/2.6 litre dual flush valve side supply and internal overflow, alternative height plastic flushbends, no flushplate

**S4536** Contour 21 Splash seat and cover for 355mm bowls

**E4465** Karisma flush plate dual flush, branded for Conceala 2 cisterns, chrome

**Material**

Vitreous China

**Weight**

WC pan 19.6kg, Cistern 2.7kg  
Flushplate 0.2kg, Seat and cover 2.7kg

**Finishes**

Available in White (01)  
Seats available in Yellow (79), Red (GQ), Light Blue (36), White (01)  
Flushplates available in Chrome (AA), Blue (36), Yellow (79) and Red (GQ)

**Standards**

Vitreous china to BS 3402. WC pan to BS EN 997 and BS EN 33

**Options**

**S3624** Conceala 2 cistern 6/4 litre dual flush valve top inlet and internal overflow, alternative height plastic flushbends

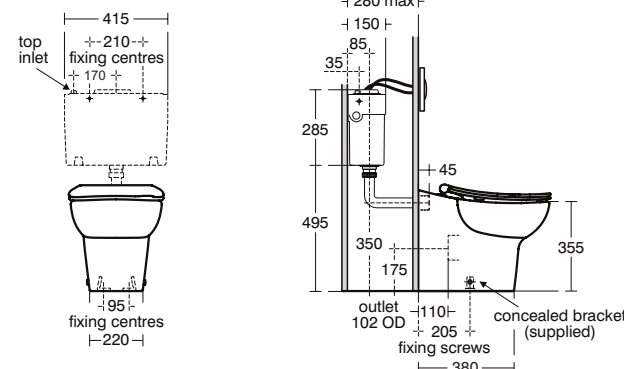
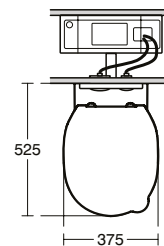
**S3617** Conceala 2 cistern 4.5 or 6 litre single flush syphon side supply and internal overflow plastic flushbend, long CP lever

**S4545** Contour 21 Splash seat ring only for 355mm bowls

**E4437** Contemporary flush plate dual flush, Ideal Standard logo for Conceala 2 cisterns

**S4300** Panekta outlet connector, finned pattern to convert horizontal outlet WCs to S or turned P trap

**S4305** Panekta outlet connector, finned pattern to convert horizontal outlet WCs to P trap



2 : 2 : 7

Tel 0870 122 8822 Fax 0870 122 8282  
Email [info@thebluebook.co.uk](mailto:info@thebluebook.co.uk)  
Online search, specify & CAD: [www.thebluebook.co.uk](http://www.thebluebook.co.uk)



# Perth 2 back-to-wall

Back-to-wall, washdown WC pan in polished stainless steel. Particularly suitable for schools and anti vandal applications.



November 2017

Uniclass PR_40_20	CAWS N13
C/S/FB	(74)

## ARMITAGE SHANKS

- Commercial use
- Stainless steel
- Anti vandal
- With or without seat
- For concealed cistern

### Illustrated

- S3442** Perth 2 back inlet WC pan with horizontal outlet with black seat and cover
- S3622** Conceala 2 cistern 6 litre single flush valve side supply and internal overflow, alternative height plastic flushbends, no push button
- S4512** Finger push button pneumatic, stainless steel for 31mm maximum thickness partition

### Material

Stainless Steel

### Weight

WC pan 10kg  
Cistern 2.7kg

### Finishes

Available in Stainless Steel (MY)

### Standards

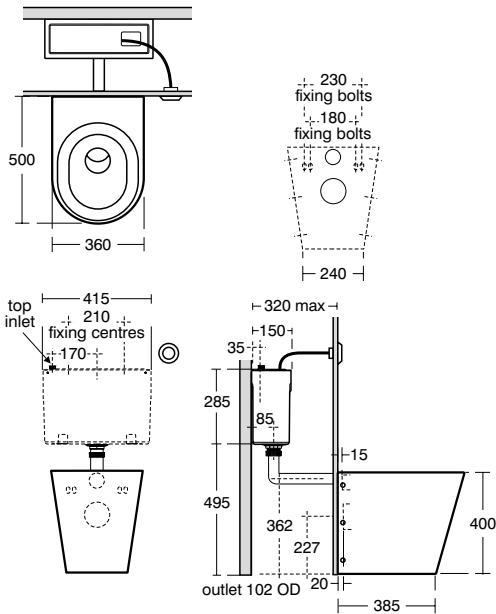
Manufactured from 1.2 – 1.5mm Stainless Steel 1.4301 (304) to BS EN 10088: Part2:2005. Back Plate is 3.0mm

### Options

- S3443** Perth 2 back-to-wall WC pan with horizontal outlet – no seat holes
- S3625** Conceala 2 cistern 4/6 litre dual flush valve bottom supply and internal overflow, alternative height plastic flushbends, no flushplate
- S3623** Conceala 2 cistern 6 litre single flush valve bottom supply and internal overflow, alternative height plastic flushbends
- S3624** Conceala 2 cistern 6/4 litre dual flush valve top inlet and internal overflow, alternative height plastic flushbends
- S4464** Finger push button pneumatic, plastic for 31mm maximum thickness partition
- S4463** Palm push button Pneumatic, plastic for 31mm maximum thickness partition
- S4513** Palm push button Pneumatic, stainless steel for 31mm maximum thickness partition
- S4305** Panekta outlet connector, finned pattern to convert horizontal outlet WCs to P trap

### Special notes

WC pan secured with fixing bolts supplied. Joint to wall sealed with waterproof sealant (not supplied)



# Profile 21 back-to-wall

Contemporary back-to-wall WC pan for domestic or commercial use.



November 2017

Uniclass PR_40_20	CAWS N13
C/S/FB	(74)

## ARMITAGE SHANKS

- Domestic and commercial use
- Modern design
- Slow close seat option
- Water efficient

### Illustrated

- S3095** Profile 21 WC pan back-to-wall horizontal outlet
- S3643** Conceala 2 cistern delay fill 4.5/3 or 4/2.6 litre dual flush valve bottom supply and internal overflow, alternative height plastic flushbends, no flushplate
- S4103** Profile 21 seat and cover
- E4397AA** Contemporary flush plate dual flush, Armitage Shanks logo for Conceala 2 cisterns

### Material

Vitreous China

### Weight

WC pan 17.5kg  
Cistern 2.7kg  
Seat and cover 2.3kg  
Flush plate 1.1kg

### Finishes

Available in White (01)

### Standards

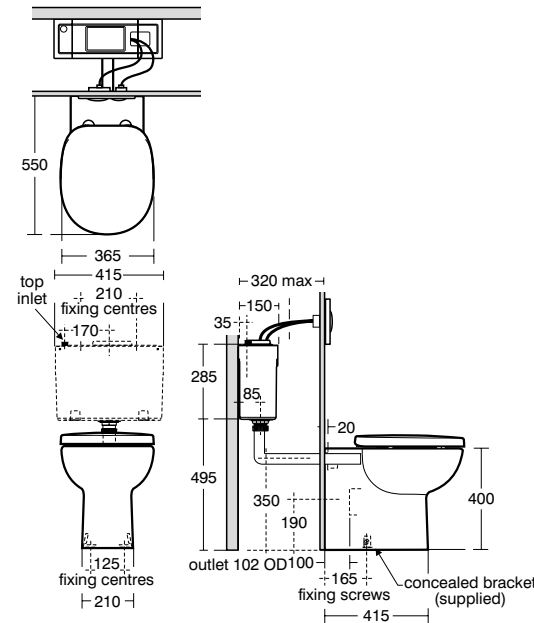
Vitreous china to BS 3402. WC pan to BS EN 997 and BS EN 33

### Options

- S3624** Conceala 2 cistern 6/4 litre dual flush valve top inlet and internal overflow, alternative height plastic flushbends
- S4102** Profile 21 seat and cover, slow close
- S3640** Conceala 2 cistern 4.5 litre single flush valve side supply and internal overflow, alternative height plastic flushbends
- S4513** Palm push button pneumatic, stainless steel for 31mm maximum thickness partition
- S4512** Finger push button pneumatic, stainless steel for 31mm maximum thickness partition
- S3617** Conceala 2 cistern 4.5 or 6 litre single flush syphon side supply and internal overflow plastic flushbend, long CP lever

### Special Notes

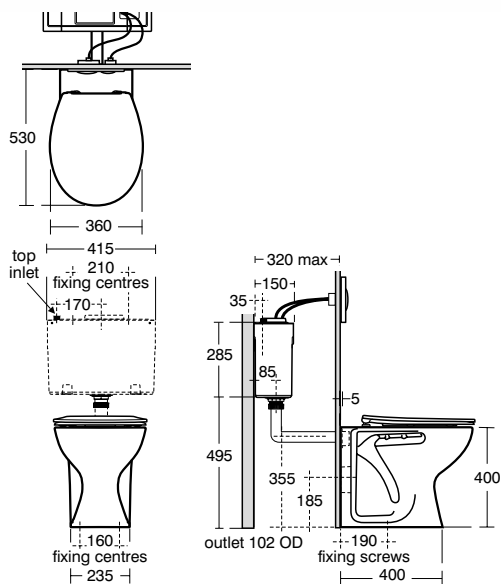
WC pan screwed to floor using concealed brackets (supplied). Joint to wall sealed with waterproof sealant (not supplied).



# Sandringham 21

## back-to-wall

The Sandringham 21 suite has been improved in design and functionality with choice of seat and cover or seat no cover



November 2017	
Uniclass PR_40_20	CAWS N13
C/S/FB	(74)

### ARMITAGE SHANKS

Domestic and commercial use

Part of the extensive  
Sandringham 21 range

Water efficient

#### Illustrated

**E8974** Sandringham 21 back-to-wall WC pan with horizontal outlet

**S3636** Conceala 2 cistern delay fill 4.5/3 or 4/2.6 litre dual flush valve bottom supply and internal overflow, alternative height plastic flushbends, no flushplate

**E1316** Sandringham 21 seat and cover

**S4397** Contemporary flush plate dual flush, Armitage Shanks logo for Conceala 2 cisterns

**S9101** Domex screws (pair)

#### Material

Vitreous China

#### Weight

WC pan 17.0kg

Cistern 3.0kg

#### Finishes

Available in White (01)

#### Standards

Vitreous china to BS 3402. WC pan to BS EN 997 and BS EN 33

#### Options

**S4270** Conceala 2 cistern 4.5 litre single flush valve delay fill bottom supply and internal overflow, alternative height plastic flushbends

**S3621** Conceala 2 cistern 4.5 or 6 litre single flush syphon bottom supply no lever

**S3617** Conceala 2 cistern 4.5 or 6 litre single flush syphon side supply and internal overflow plastic flushbend, long CP lever

**S4463** Palm push button Pneumatic, plastic for 31mm maximum thickness partition

**E3222** Panekta outlet connector, finned pattern to convert horizontal outlet WCs to P trap

**E3221** Panekta outlet connector, finned pattern to convert horizontal outlet WCs to S or turned P trap

**E1317** Sandringham 21 seat and cover metal hinges

**E1319** Sandringham 21 seat no cover metal hinges

**E2985** Sandringham 21 seat and cover, slow close

#### Special notes

WC screwed to floor. Joint to wall sealed with waterproof sealant (not supplied)



2 : 2 : 10

Tel 0870 122 8822 Fax 0870 122 8282

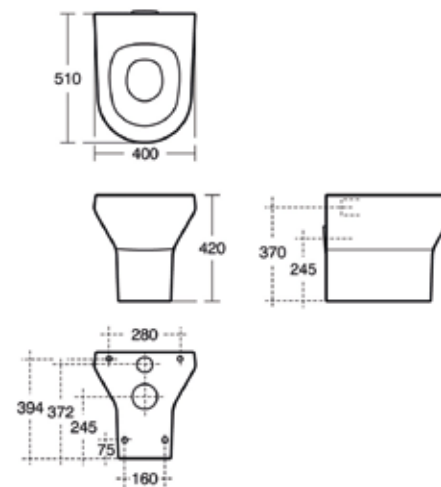
Email [info@thebluebook.co.uk](mailto:info@thebluebook.co.uk)

Online search, specify & CAD: [www.thebluebook.co.uk](http://www.thebluebook.co.uk)

# Sentry 21

## back-to-wall

The Sentry 21 range is designed and tested to be vandal proof and avoid ligature points wherever possible. Fittings are suitable for use in high security areas including prisoner and mental health applications.



November 2017	
Uniclass PR_40_20	CAWS N13
C/S/FB	(74)

### ARMITAGE SHANKS

HM Prisons compliant

Anti vandal

Solid surface

Integral seat

#### Illustrated

**S3320** Sentry 21 back-to-wall WC pan with horizontal outlet

**S3622** Conceala 2 cistern 6 litre single flush valve side supply and internal overflow, alternative height plastic flushbends, no push button

**S4445** Finger push button non-projecting, stainless steel vandal resistant pattern

#### Material

Solid Surface

#### Weight

WC pan 22.25kg

Cistern 3.0kg

#### Finishes

Available in White (01)

#### Options

**S3302** Sentry 21 back-to-wall WC pan with horizontal outlet, cistern and wave-on controls

**S3303** Sentry 21 back-to-wall WC pan with horizontal outlet, cistern and tactile controls

**S3617** Conceala 2 cistern 6 or 4.5 litre single flush syphon side supply and internal overflow plastic flushbend, long CP lever

**S4454** Finger push button mechanism for high level concealed cistern, for 150mm maximum wall thickness

**S4456** Finger push button mechanism for low level concealed cistern, for 150mm maximum wall thickness

**S4457** Finger push button mechanism for low level concealed cistern, for 400mm maximum wall thickness

**S4489** Finger push button pneumatic, stainless steel body for 400mm maximum wall thickness

**S4512** Finger push button pneumatic, stainless steel for 31mm maximum thickness partition

**S4305** Panekta outlet connector, finned pattern to convert horizontal outlet WCs to P trap

**S4300** Panekta outlet connector, finned pattern to convert horizontal outlet WCs to S or turned P trap

#### Special notes

WC pan to be bolted to back wall and affixed in position using suitable bonding agent (not supplied)



2 : 2 : 11

Tel 0870 122 8822 Fax 0870 122 8282

Email [info@thebluebook.co.uk](mailto:info@thebluebook.co.uk)

Online search, specify & CAD: [www.thebluebook.co.uk](http://www.thebluebook.co.uk)

November 2017	
Uniclass PR_40_20	CAWS N13
CI/SFB	(74)

November 2017	
Uniclass PR_40_20	CAWS N13
CI/SFB	(74)

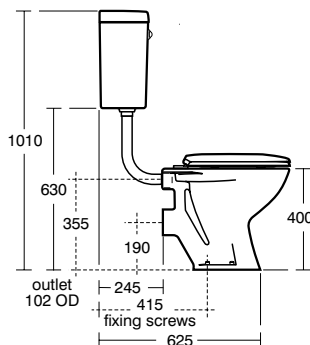
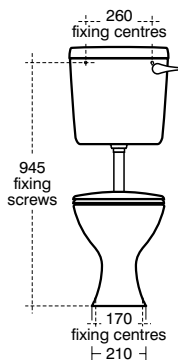
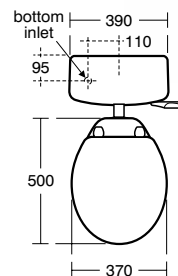
# WCs

## Low Level

# Sandringham 21 Magnia

## low level

Versatile WC pan in vitreous china that is suitable for domestic and public building applications. Versions for lever syphon flush or both dual and single valve flushing.



Water **4.5** Litres

November 2017	
Uniclass PR_40_20	CAWS N13
C/S/FB	(74)

### ARMITAGE SHANKS

Domestic or commercial use

Conforms to British Standards

Open flushing rim

Push button or lever cistern

#### Illustrated

**S3510** Sandringham 21 washdown low level WC pan with horizontal outlet

**E8969** Sandringham 21 low level cistern 6 litre single flush syphon bottom supply and internal overflow

**S4055** Gemini seat and cover

**S9102** Domex screws (set of 4)

#### Material

Vitreous China

#### Weight

Low Level Cistern 14.0kg

Low Level WC Pan 12.5kg

#### Finishes

Available in White (01)

#### Standards

Vitreous china to BS 3402. WC pan to BS EN 997 and BS EN 33

#### Options

**S4305** Panekta outlet connector, finned pattern to convert horizontal outlet WCs to P trap

**S4300** Panekta outlet connector, finned pattern to convert horizontal outlet WCs to S or turned P trap

**E8972** Sandringham 21 low level cistern 6 litre single flush syphon side supply and internal overflow

**E8761** Sandringham 21 low level cistern 6/4 litre dual flush valve, bottom supply and internal overflow

**U045001** Unison economy seat and cover

#### Special notes

WC pan screwed to floor and cistern screwed to wall



November 2017	
Uniclass PR_40_20	CAWS N13
C/S/FB	(74)

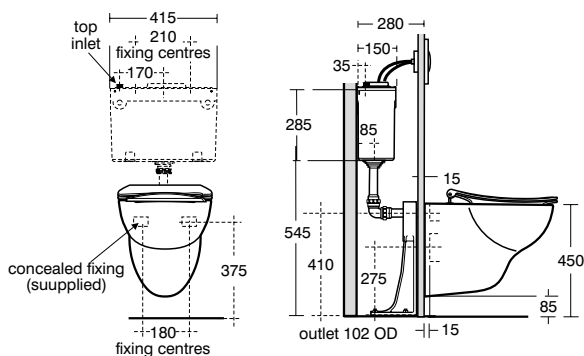
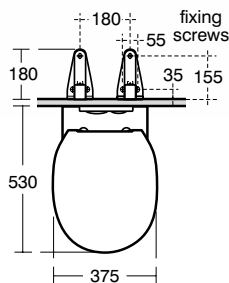
# WCs

## Wall Mounted

# Contour 21+ wall mounted

Contour 21+ WC Pans include new, improved rimless technology and a hydrophilic, smooth glaze with anti-microbial properties. The hidden fixation system offers a cleaner solution with improved aesthetics.

SmartGuard\*



Hydrophilic glaze with  
anti-microbial properties

New rimless technology

Hidden fixation system

Domestic and commercial use

Water efficient

#### Illustrated

**S0443** Contour 21+ wall mounted rimless WC pan with horizontal outlet anti-microbial glaze

**S3643** Conceala 2 cistern 4.5/3 or 4/2.6

litre dual flush valve side supply and internal overflow, alternative height plastic flushbends

**S0670** Contour 21+ slim seat and cover

**S9139** Support bracket for wall mounted WC raised height with bolts

**E4463** Karisma flush plate, dual flush, chrome plated, unbranded

#### Material

Vitreous China

#### Weight

WC pan 20.9kg

WC Support Bracket 4.2kg

Cistern 2.7kg

Seat 2.3kg

#### Finishes

Available in White with SmartGuard (HY)

Seats available in White with SmartGuard (HY)

#### Standards

Vitreous china to BS 3402, BS EN 997 and BS EN 33

#### Options

**S3640** Conceala 2 cistern 4.5 litre single flush valve side supply and internal overflow, alternative height plastic flushbends

**S4513** Palm push button Pneumatic, stainless steel for 31mm maximum thickness partition

**S4305** Panekta outlet connector, finned pattern to convert horizontal outlet WCs to P trap

**S4300** Panekta outlet connector, finned pattern to convert horizontal outlet WCs to S or turned P trap

**S4066** Contour 21 seat no cover, top fixing hinges and retaining buffers

**S4066** Contour 21 seat no cover, top fixing hinges and retaining buffers

#### Special notes

S9139 support brackets secured to floor within the duct, WC fixed to support brackets with bolts supplied. Joint sealed with waterproof sealant (not supplied).



# Contour 21+ wall mounted 70 - 75cm projection

Contour 21+ WC Pans include new, improved rimless technology and a hydrophilic, smooth glaze with anti-microbial properties. The hidden fixation system offers a cleaner solution with improved aesthetics.

SmartGuard\*



Hydrophilic glaze with  
anti-microbial properties

New rimless technology

Hidden fixation system

Commercial use

Raised height for universal access

Doc M compliant

#### Illustrated

**S0442** Contour 21+ 75cm projection wall mounted rimless WC pan with horizontal outlet, anti-microbial glaze

**S3617** Conceala 2 cistern 6 or 4.5 litre single flush syphon side supply and internal overflow plastic flushbend, long CP lever

**S4066** Contour 21 seat no cover, top fixing hinges and retaining buffers

**S9139** Support bracket for wall mounted WC raised height with bolts

**S6466** Contour 21 back support rail for 75cm projection WC, 40 x 22 x 35mm diameter tube back cushion support and clips

#### Material

Vitreous China

#### Weight

WC pan 36.4kg

Cistern 2.7kg

WC Support Bracket 4.2kg

#### Finishes

Available in White with SmartGuard (HY)

Seats available in White (01) Blue (36) Grey (LJ) Charcoal (RN)

#### Standards

Vitreous china to BS 3402, BS EN 997 and BS EN 33

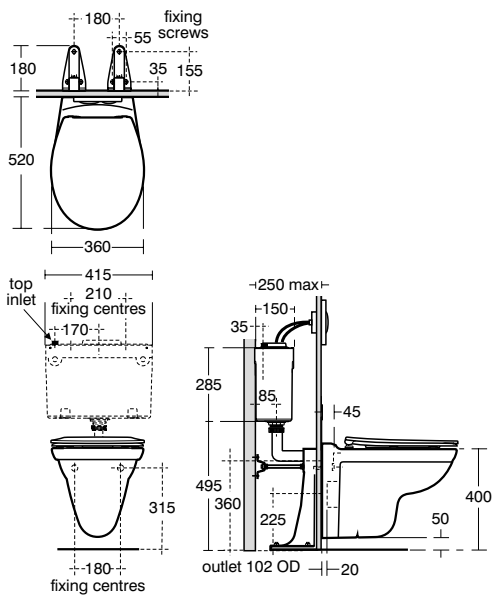






# Sandringham 21 wall mounted

Sandringham 21 consists of a wide range of sanitaryware, bathing and brassware options combining simple modern design.



November 2017	
Uniclass PR_40_20	CAWS N13
C/S/F/B	(74)

## ARMITAGE SHANKS

Domestic and commercial use

Part of the extensive  
Sandringham suite

Water efficient

### Illustrated

**V3910** Sandringham wall mounted WC with horizontal outlet

**S3643** Conceala 2 cistern 4.5/3 or 4/2.6 litre dual flush valve side supply and internal overflow, alternative height plastic flushbends

**E1316** Sandringham 21 seat and cover

**S4397** Contemporary flush plate dual flush, Armitage Shanks logo for Conceala 2 cisterns

**E0060** Support frame with bolts for wall hung pans

### Material

Vitreous China

### Weight

WC pan 15.1kg

WC Support Bracket 4.2kg

Cistern 2.7kg

### Finishes

Available in White (01)

### Standards

Vitreous china to BS 3402, BS EN 997 and BS EN 33

### Options

**S3617** Conceala 2 cistern 4.5 or 6 litre single flush syphon side supply and internal overflow plastic flushbend, long CP lever

**S3624** Conceala 2 cistern 6/4 litre dual flush valve top inlet and internal overflow, alternative height plastic flushbends

**S4305** Panekta outlet connector, finned pattern to convert horizontal outlet WCs to P trap

**S4300** Panekta outlet connector, finned pattern to convert horizontal outlet WCs to S or turned P trap

**E1317** Sandringham 21 seat and cover, metal hinges

**E1319** Sandringham 21 seat no cover

**S2985** Sandringham 21 seat no cover, slow close

### Special notes

WC fixed to support brackets with bolts supplied. Joint sealed with waterproof sealant (not supplied) Suitable for in-wall WC frame



November 2017	
Uniclass PR_40_20	CAWS N13
C/S/F/B	(74)

# WCs

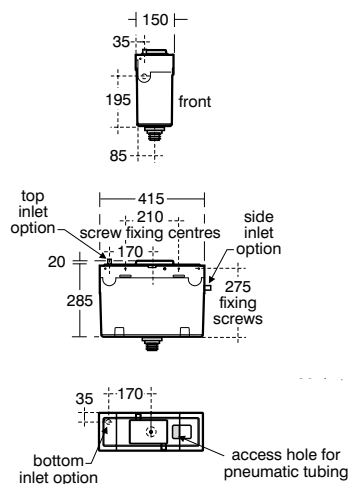
## Cisterns and Fittings



# Conceala 2

## dual flush cistern

Conceala 2 cistern and cover, 4.5/3 litre, pneumatic dual flush valve fittings, ½" ball valve, side supply, internal overflow, alternative height plastic flushbends, Simpla inlet connector.



November 2017	
Uniclass PR_40_20	CAWS N13
CUSFB	(74)

### ARMITAGE SHANKS

Components pre-fitted  
For dual flush push plates  
Compact design

#### Illustrated

**S3643** Conceala 2 cistern 4.5/3 or 4/2.6 litre dual flush valve side supply and internal overflow, alternative height plastic flushbends

#### Material

Plastic

#### Weight

2.7kg

#### Standards

Cistern to BS EN 14055

#### Options

**S3624** Conceala 2 cistern 6/4 litre dual flush valve top inlet and internal overflow, alternative height plastic flushbends

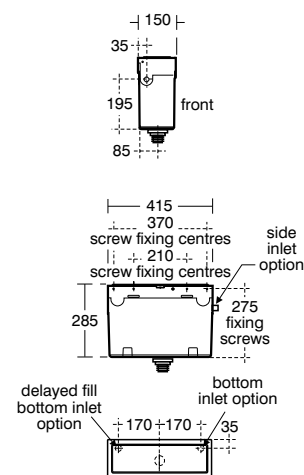
#### Special notes

Cistern is supplied with 2 x 800mm lengths of plastic air tubes. Optional 3m lengths can be purchased where remote operation is required

# Conceala 2

## single flush cistern

Conceala 2 ducted pneumatic valve cisterns in plastic are suitable for low level installation. Supplied with components pre-fitted to reduce installation time. Single push button operation.



November 2017	
Uniclass PR_40_20	CAWS N13
CUSFB	(74)

### ARMITAGE SHANKS

For push button operation  
Components pre-fitted  
Compact design

#### Illustrated

**S3640** Conceala 2 cistern 4.5 or 4 litre single flush valve side supply and internal overflow, alternative height plastic flushbends

#### Material

Plastic

#### Weight

2.7kg

#### Standards

Cistern to BS EN 14055

#### Options

**S3622** Conceala 2 cistern 6 litre single flush valve side supply and internal overflow, alternative height plastic flushbends, no push button

#### Special notes

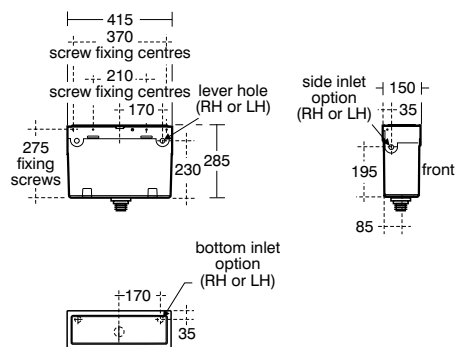
Valve operated cisterns are supplied with an 800mm length of plastic air tube. An optional 3m length can be purchased where remote operation is required



WCs

# Conceala 2 cisterns

Conceala 2 ducted pneumatic valve cisterns in plastic are suitable for low level installation. Supplied with components pre-fitted to reduce installation time. Lever operation.



November 2017	
Uniclass PR_40_20	CAWS N13
C/S/FB	(74)

ARMITAGE SHANKS

## Components pre-fitted

Single 4.5 litre lever or sensor flush

Compact design

### Illustrated

**S3617** Conceala 2 cistern 6 or 4.5 litre single flush syphon side supply and internal overflow plastic flushbend, long CP lever

### Material

Plastic

### Weight

Low Level Cistern 2.7kg  
4.5 or 6 Litre Single Flush Cistern 2.7kg  
4.5 Litre Single Flush Cistern 2.7kg

### Finishes

Available in Neutral / No Finish (67)

### Standards

Cistern to BS EN 14055

### Options

**S3621** Conceala 2 cistern delay fill 4.5 litre single flush syphon low level bottom supply and internal overflow plastic flushbend, no lever  
**S4491AA** Concept 2 lever 250mm  
**S4492AA** Concept 2 lever 400mm external

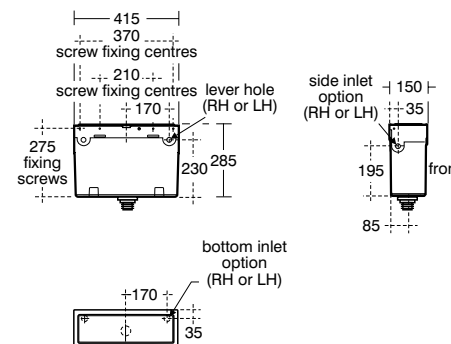
### Special notes

Lever supplied with cistern is suitable for 150mm max wall thickness. Longer levers for thicker walls can be purchased

WCs

# Conceala 2 cisterns

High level concealed cistern with lever and chain



November 2017	
Uniclass PR_40_20	CAWS N13
C/S/FB	(74)

ARMITAGE SHANKS

## High level

Compact design

Maximum 150mm wall thickness

### Illustrated

**S3626** Conceala 2 cistern 6 litre single flush syphon high level side supply and internal overflow, lever with chain

### Material

Plastic

### Weight

6 Litre Single Flush Cistern 2.7kg

### Finishes

Available in Neutral / No Finish (67)

### Standards

Cistern to BS EN 14055

### Special notes

Chain pull mechanism for maximum wall thickness 150mm. If wall thickness exceeds 150mm full installation details must be supplied, see finger and palm push flush mechanisms



Armitage  
Shanks

2 : 5 : 4

Tel 0870 122 8822 Fax 0870 122 8282  
Email [info@thebluebook.co.uk](mailto:info@thebluebook.co.uk)  
Online search, specify & CAD: [www.thebluebook.co.uk](http://www.thebluebook.co.uk)



Tel 0870 122 8822 Fax 0870 122 8282  
Email [info@thebluebook.co.uk](mailto:info@thebluebook.co.uk)  
Online search, specify & CAD: [www.thebluebook.co.uk](http://www.thebluebook.co.uk)



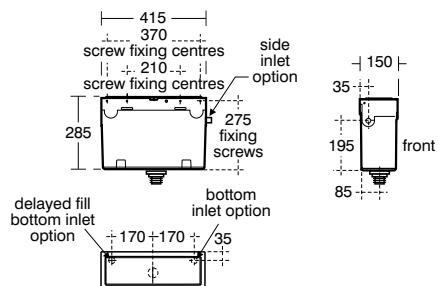
2 : 5 : 5

Armitage  
Shanks

# Sensorflow 21

## compact WC flushing device

Hands free WC flushing control sensor with concealed cistern



November 2017	
Uniclass PR_40_20	CAWS N13
C/S/F/B	(74)

ARMITAGE SHANKS

Commercial use

Electronic flushing from  
mains water

Hygienic

Activated by waving hand

#### Illustrated

**S3599** Sensorflow 21 WC flushing device, panel mounted sensor complete with concealed valve and 4 and 4.5 litre duct cistern.

#### Material

Plastic

#### Weight

2.7kg

#### Finishes

Available in Neutral / No Finish (67)

#### Standards

Cistern to BS EN 14055

#### Options

**S3589** Sensorflow 21 WC flushing device, panel mounted sensor complete with concealed valve and 6 litre duct cistern

**S3604** Sensorflow 21 WC flushing device, panel mounted sensor complete with concealed valve and 4 and 4.5 litre delay fill duct cistern

November 2017	
Uniclass PR_40_20	CAWS N13
C/S/F/B	(74)

# WCs

## Conceala Cisterns Matrix

please use the following matrix to ensure you specify the correct Conceala cistern and WC combination and set the cistern at the correct height



# Dual Flush Back to Wall Conceala Cistern Guide

Use the guide below to select the correct Conceala cistern for your requirements and find the minimum installation height (N)

**X** Installation is not suitable

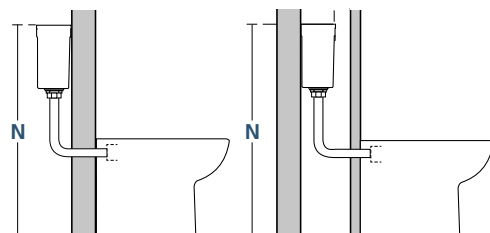
Flush Type	Dual Flush Button or Flush Plate						
	4/2.6		4.5/3		6/4		
Water Usage	SI	BI	SI	BI	TI	BI	BI
Inlet	SI	BI	SI	BI	TI	BI	BI
Conceala Code	S3643	S3636	S3643	S3636	S3624	S3553	S3625

### Set Conceala at minimum height shown below

Contour 21+ 700mm projection	900	900	900	900	900	900	900
Contour 21+ 750mm projection	900	900	900	900	900	900	900
Contour 21+ Raised height	850	850	850	850	850	850	850
Contour 21+ Standard height	800	800	800	800	800	800	800
Contour 21 Splash 305mm schools	780	780	780	780	780	780	780
Contour 21 Splash 355mm schools	780	780	780	780	780	780	780
Perth	X	X	X	X	780	780	780
Profile 21	780	780	780	780	780	780	780
Sandringham 21	810	810	810	810	810	810	810

### Installation Notes

Conceala cisterns are suitable for use between the minimum heights shown above (N) and a recommended height of 900mm (unless specified otherwise).



# Single Flush 4.5 Litre Back to Wall Conceala Cistern Guide

Use the guide below to select the correct conceala cistern for your requirements and find the minimum installation height (N)

**X** Installation is not suitable

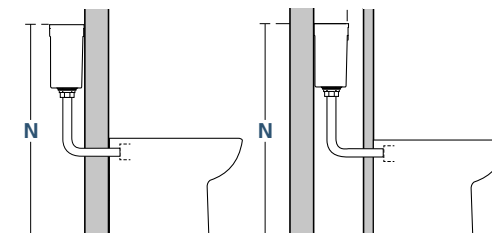
Flush Type	Lever		Push Button		Sensorflow	
	SI	BI	SI	BI	SI	BI
Inlet	SI	BI	SI	BI	SI	BI
Conceala Code	S3620	S3621	S3640	S4270	S3599	S3604

### Set Conceala at minimum height shown below

Contour 21+ 700mm projection	900	900	900	900	900	900
Contour 21+ 750mm projection	900	900	900	900	900	900
Contour 21+ Raised height	850	850	850	850	850	850
Contour 21+ Standard height	850	850	800	800	800	800
Contour 21 Splash 305mm schools	780	780	780	780	780	780
Contour 21 Splash 355mm schools	780	780	780	780	780	780
Perth	X	X	X	X	X	X
Profile 21	780	780	780	780	780	780
Sandringham 21	810	810	810	810	810	810

### Installation Notes

Conceala cisterns are suitable for use between the minimum heights shown above (N) and a recommended height of 900mm (unless specified otherwise).



# Single Flush 6 Litre Back to Wall Conceala Cistern Guide

Use the guide below to select the correct Conceala cistern for your requirements and find the minimum installation height (N)

**X** Installation is not suitable

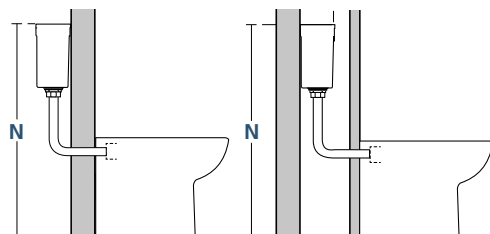
Flush Type	Lever		Push Button		Sensorflow	
	SI	BI	SI	BI	SI	BI
Inlet						
Conceala Code	S3620	S3621	S3622	S3623	S3589	

Set Conceala at minimum height shown below

<b>Contour 21+</b> 700mm projection	900	900	900	900	900	
<b>Contour 21+</b> 750mm projection	900	900	900	900	900	
<b>Contour 21+</b> Raised height	850	850	850	850	850	
<b>Contour 21+</b> Standard height	850	850	800	800	800	
<b>Contour 21 Splash</b> 305mm schools	780	780	780	780	780	
<b>Contour 21 Splash</b> 355mm schools	780	780	780	780	780	
<b>Perth</b>	<b>X</b>	<b>X</b>	780	780	780	
<b>Profile 21</b>	780	780	780	780	780	
<b>Sandringham 21</b>	810	810	810	810	810	
<b>Sentry 21</b>	1035	1035	820	820	820	

## Installation Notes

Conceala cisterns are suitable for use between the minimum heights shown above (N) and a recommended height of 900mm (unless specified otherwise).



# Dual Flush Wall Mounted Conceala Cistern Guide

Use the guide below to select the correct Conceala cistern for your requirements and find the minimum installation height (N)

**X** Installation is not suitable

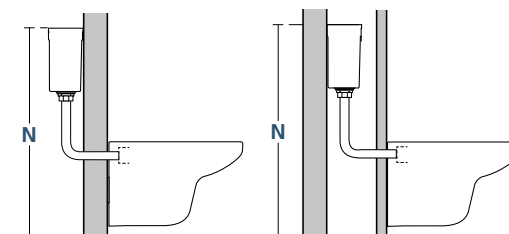
Flush Type	Dual Flush Button or Flush Plate						
	4/2.6		4.5/3		6/4		
Water Usage							
Inlet	SI	BI	SI	BI	TI	BI	
Conceala Code	S3643	S3636	S3643	S3636	S3624	S3553	S3625

Set Conceala at minimum height shown below

<b>Contour 21+</b> 700mm projection	900	900	900	900	900	900	900
<b>Contour 21+</b> 750mm projection	900	900	900	900	900	900	900
<b>Contour 21+</b> Standard projection	900	900	900	900	900	900	900
<b>Contour 21 Splash</b> 355mm schools	780	780	780	780	780	780	780
<b>Sandringham 21</b>	970	970	970	970	810	810	810

## Installation Notes

Conceala cisterns are suitable for use between the minimum heights shown above (N) and a recommended height of 900mm (unless specified otherwise).



## Single Flush 4.5 Litre Wall Mounted Conceala Cistern Guide

Use the guide below to select the correct Conceala cistern for your requirements and find the minimum installation height (N)

**X** Installation is not suitable

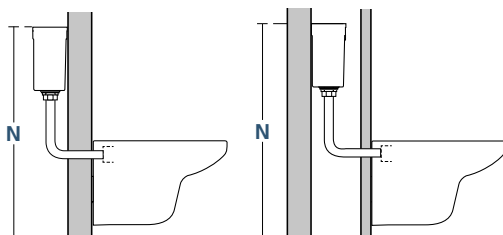
Flush Type	Lever		Push Button		Sensorflow	
	SI	BI	SI	BI	SI	BI
Inlet						
Conceala Code	S3620	S3621	S3640	S4270	S3599	S3604

### Set Conceala at minimum height shown below

<b>Contour 21+</b> 700mm projection	900	900	900	900	900	900
<b>Contour 21+</b> 750mm projection	900	900	900	900	900	900
<b>Contour 21+</b> Standard projection	900	900	900	900	900	900
<b>Contour 21 Splash</b> 355mm schools	920	920	920	920	780	780
<b>Sandringham 21</b>	970	970	910	910	910	910

### Installation Notes

Conceala cisterns are suitable for use between the minimum heights shown above (N) and a recommended height of 900mm (unless specified otherwise).



## Single Flush 6 Litre Wall Mounted Conceala Cistern Guide

Use the guide below to select the correct Conceala cistern for your requirements and find the minimum installation height (N)

**X** Installation is not suitable

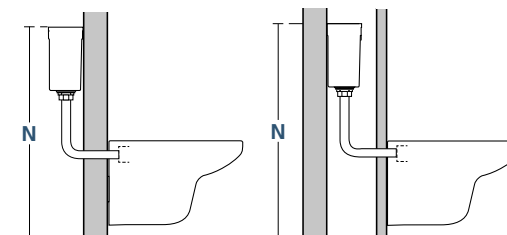
Flush Type	Lever		Push Button		Sensorflow	
	SI	BI	SI	BI	SI	BI
Inlet						
Conceala Code	S3620	S3621	S3622	S3623	S3589	

### Set Conceala at minimum height shown below

<b>Contour 21+</b> 700mm projection	900	900	900	900	900	
<b>Contour 21+</b> 750mm projection	900	900	900	900	900	
<b>Contour 21+</b> Standard projection	900	900	900	900	900	
<b>Contour 21 Splash</b> 355mm schools	780	780	780	780	780	
<b>Sandringham 21</b>	810	810	810	810	810	

### Installation Notes

Conceala cisterns are suitable for use between the minimum heights shown above (N) and a recommended height of 900mm (unless specified otherwise).



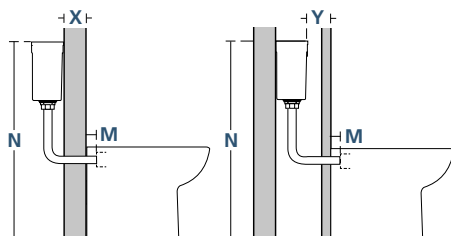


## Conceala Cistern Installation

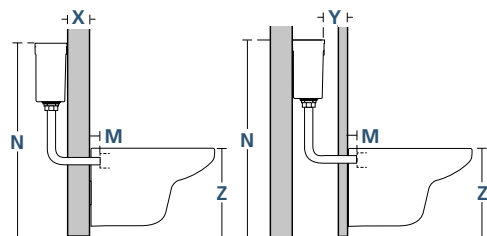
### Setting the correct depth to allow for post installation maintenance

Conceala cisterns should not be installed any deeper than the dimensions shown below to ensure they can be serviced from the front after installation.

### Back to Wall



### Wall Mounted



Z  
400 (Recommended height)  
450 (Contour 21 products)

Z  
400 (Recommended height)  
450 (Contour 21 products)

#### Lever & Flush Plate Limits

With 250 & Spatula Levers & when lever supplied in tank	X or Y = 160
With E6020 Lever	X or Y = 28
With E6021 Lever	X or Y = 255
With Dual Flush Plate	X = 100 and Y = 295

#### Installation Notes

Conceala cistern heights below 900 can be achieved using E6020 and E6021 Levers.

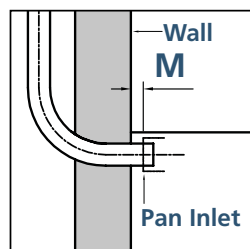
For single flush push button operated cistern dimensions X and Y are limited by the flushbend.

## Flush Bend Limits

### Setting the correct depth to allow for Flush Bend

To calculate how deep you can install a Conceala cistern you also need to take into account the maximum length the flush pipe will extend to. This will be affected by the position of the inlet on the pan.

Use the calculation opposite to determine the maximum depth you can achieve.

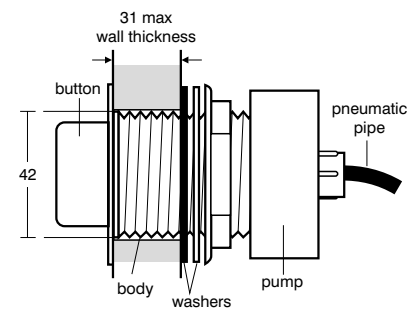


#### Flush Bend Limits

When N is between 780 and 810	X or Y = 185 -M
When N is greater than 810	X or Y = 295 -M

## Pneumatic Palm Push Button

Pneumatic push buttons are suitable for use with Conceala 2 cisterns.



Chromium plated plastic  
31mm maximum panel thickness

#### Illustrated

**S4463** Palm push button pneumatic, plastic for 31mm thickness partition

#### Material

Chrome Plated Plastic

#### Weight

0.62kg

#### Finishes

Chrome (AA)  
Stainless steel (MY)

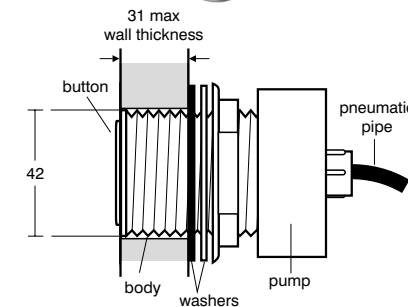
#### Options

**S4513** Palm push button pneumatic, stainless steel for 31mm maximum thickness partition



## Pneumatic Finger Push Button

Pneumatic push buttons are suitable for use with Conceala 2 cisterns.



ARMITAGE SHANKS

Anti vandal  
Durable design  
31mm Maximum panel thickness

#### Illustrated

**S4512** Finger push button pneumatic, stainless steel for 31mm maximum thickness partition

#### Material

Chrome Plated Brass

#### Weight

0.62kg

#### Finishes

Chrome (AA)

#### Options

**S4464** Finger push button pneumatic, plastic for 31mm maximum thickness partition



# Pneumatic Finger Push Button

Pneumatic push buttons are suitable for use with Conceala 2 cisterns.



November 2017	
Uniclass PR_40_20	CAWS N13
CUSFB	(74)

ARMITAGE SHANKS

Stainless Steel  
400mm maximum thickness

#### Illustrated

**S4489** Finger push button pneumatic, stainless steel body for 400mm maximum wall thickness

**Material**  
Stainless Steel

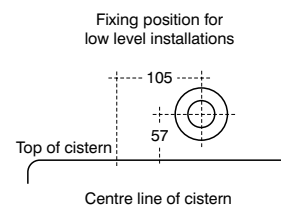
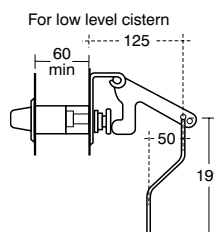
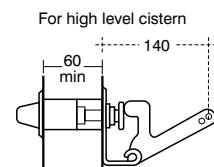
**Weight**  
0.17kg

**Finishes**  
Available in Stainless Steel (MY)



# Palm Push Button

Palm push buttons suitable for general use. Suitable for duct cisterns.



November 2017	
Uniclass PR_40_20	CAWS N13
CUSFB	(74)

ARMITAGE SHANKS

Palm push button  
For use with ducted cisterns  
Suitable for general use

#### Illustrated

**S4450** Palm push button mechanism for high level concealed cistern for 150mm maximum wall thickness

**Weight**  
0.19kg

**Finishes**  
Available in Chrome (AA)

#### Options

**S4452** Palm push button mechanism for low level concealed cistern for 150mm maximum wall thickness

**S4453** Palm push button mechanism for low level concealed cistern for 400mm maximum wall thickness

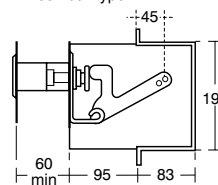


# Finger Push Button

Pneumatic push buttons are suitable for use with Conceala 2 cisterns.

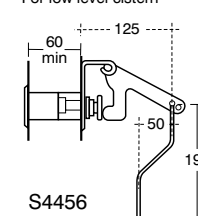


Prison cell type



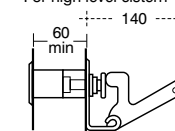
S4458

For low level cistern

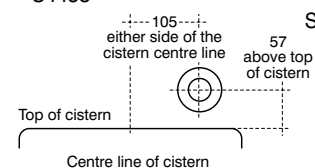


S4456

For high level cistern



S4454



ARMITAGE SHANKS

Anti vandal  
Durable design  
For use with concealed cisterns

#### Illustrated

**S4454** Finger push button mechanism for high level concealed cistern, for 150mm maximum wall thickness

**Weight**  
0.72kg

**Finishes**  
Available in Chrome (AA)

#### Special notes

Minimum wall thickness 60mm. Mechanism can be reduced on site.

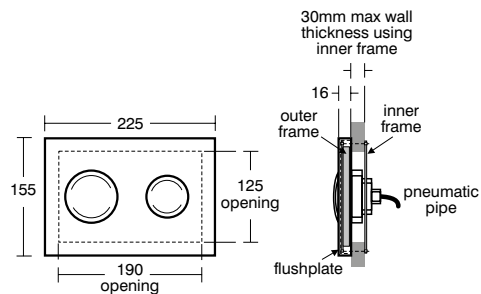
#### Options

**S4456** Finger push button mechanism for low level concealed cistern, for 150mm maximum wall thickness



# Contemporary Flush Plate

Flush plates are suitable for use with Conceala 2 cisterns. In-wall systems have specific flush plates.



November 2017	
Uniclass PR_40_20	CAWS N13
C/S/F/B	(74)

## ARMITAGE SHANKS

Chrome plated or stainless steel options

Unbranded options

### Illustrated

**S4399** Contemporary flush plate dual flush, unbranded for Conceala 2 cisterns

### Weight

WC Actuator 1kg  
Contemporary Flush Plate Dual Flush 0.5kg

### Finishes

Available in Chrome (AA), Brushed Nickel (BX), Stainless Steel (MY) - S4504 and S4503

### Options

**S4504** Contemporary flush plate dual flush, Armitage Shanks logo, stainless steel for Conceala 2 cisterns

**S4503** Contemporary flush plate dual flush, stainless steel unbranded for Conceala 2 cisterns

**S4397** Contemporary flush plate dual flush, Armitage Shanks logo for Conceala 2 cisterns

**E4437** Contemporary flush plate dual flush, Ideal Standard logo for Conceala 2 cisterns

# Karisma Flush Plate

Flush plate suitable for use with Conceala 2 cisterns and in wall systems.



November 2017	
Uniclass PR_40_20	CAWS N13
C/S/F/B	(74)

## IDEAL STANDARD

Chrome plated or satin chrome

Unbranded options

Pneumatic operated

### Illustrated

**E4465** Karisma flush plate dual flush, branded for Conceala 2 cisterns, chrome

### Weight

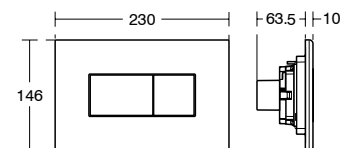
WC Actuator 1kg  
Contemporary Flush Plate Dual Flush 0.5kg

### Finishes

Chrome (AA), Ultra Steel (GN)  
Satin Chrome (46), Light blue (36)  
Red (GQ), Yellow (79)

### Options

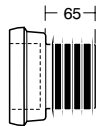
**E4463** Karisma flush plate dual flush, unbranded



## WCs

# Outlet And Inlet Connectors

Plastic outlet connectors to connect WC trap spigot to soil pipe.



**Note:**  
Connectors to suit 102 bore soil pipe and 102 WC outlet

November 2017	
Uniclass PR_40_20	CAWS N13
C/S/FB	(74)

ARMITAGE SHANKS

## Connectors

Extensions for 70cm and 75cm long WCs

### Illustrated

**S4325** Panekta outlet connector, finned pattern, straight

### Material

Plastic

### Weight

WC Outlet Connector 0.23kg

### Finishes

Available in White (01)

### Options

**S4320** Panekta outlet connector, finned pattern, straight

**S4326** Panekta outlet connector, finned pattern, offset

**S4505** Simpla Inlet Connector

**S4303** Contour 21 outlet extension connector for 70/75cm WC pan outlet



ARMITAGE SHANKS

## Temporary isolators

Chrome plated

### Illustrated

**S9005** Isolation valve 1/2" with screwdriver control, inlet and outlet for 15mm copper

### Weight

Isolator Valves 0.4kg

### Finishes

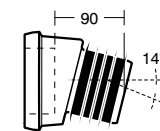
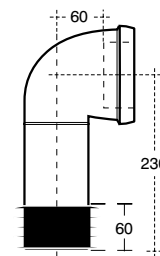
Chrome (AA)



## WCs

# Panekta Connectors

Finned and plain plastic WC pan connectors for converting horizontal outlet WCs to S traps, P traps and turned P traps. Panekta connectors conform to BS 5627:1984



Connectors to suit 102 bore soil pipe and 102 WC outlet

November 2017	
Uniclass PR_40_20	CAWS N13
C/S/FB	(74)

ARMITAGE SHANKS

## Domestic and commercial use

For horizontal outlets

### Illustrated

**S4300** Panekta outlet connector, finned pattern to convert horizontal outlet WCs to S or turned P trap

### Material

Plastic

### Weight

0.39kg

### Finishes

White (01)

### Standards

Connectors to BS 5627

### Illustrated

**S4305** Panekta outlet connector, finned pattern to convert horizontal outlet WCs to S or turned P trap

**S4310** Panekta outlet Connector, plain pattern to convert horizontal outlet WCs to S or turned P trap

# Flushpipes

A range of high level telescopic plastic flushpipes, in white, to suit back inlet WCs. Offsets are varied to suit different cistern outlets. For special requirements flushpipes are available for fixing clear of wall.



ARMITAGE SHANKS

## Telescopic

Variable heights

For back inlet WCs

### Illustrated

**S4601** Flushpipe telescopic, 1675mm and clip to suit Clena cistern and back inlet WC

### Material

Plastic

### Weight

2.0kg

### Finishes

Neutral / No Finish (67)

### Options

**S4602** Flushpipe telescopic, 1675mm to suit Conceala cistern and back inlet WC



# Isolation Valves

Isolation valves, inlet and outlet each with compression nut and ring for 15mm copper tube, chrome plated



2 : 6 : 14

Armitage  
Shanks

Tel 0870 122 8822 Fax 0870 122 8282  
Email [info@thebluebook.co.uk](mailto:info@thebluebook.co.uk)  
Online search, specify & CAD: [www.thebluebook.co.uk](http://www.thebluebook.co.uk)

Tel 0870 122 8822 Fax 0870 122 8282  
Email [info@thebluebook.co.uk](mailto:info@thebluebook.co.uk)  
Online search, specify & CAD: [www.thebluebook.co.uk](http://www.thebluebook.co.uk)

2 : 6 : 15

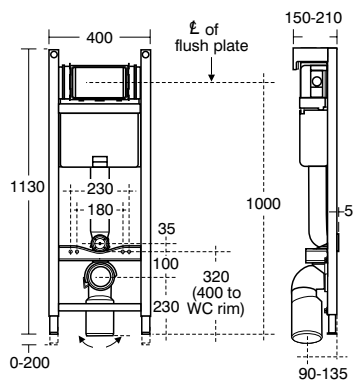
Armitage  
Shanks

## WCs

## In-Wall Frames

## 1100mm high mechanical

WC in wall frames provide a simple answer to installing wall mounted WCs in a secure frame that incorporates a built in cistern. Quiet filling operation.



November 2017	
Uniclass PR_40_20	CAWS N13
C/SFB	(74)

## IDEAL STANDARD

Domestic and commercial use

Mechanical or Pneumatic

Fast easy installation

Access through flushplate

**Illustrated**

**E9324** In-wall system for WC, 1100mm high, mechanical front operation flushplate

**Material**

Steel

**Weight**

In-wall system for WC 13kg

**Capacity**

6/3 litres dual flush  
Can be converted to 4.5/3

**Finishes**

Available in Neutral / No Finish (67)

**Options**

**VV6385** River flush plate, dual flush, mechanical (Available in White (81), Chromium plated (84))

**VV6590** Slim flush plate, dual flush, mechanical (Available in Chromium plated (44), Satin Chrome (46))

**Special notes**

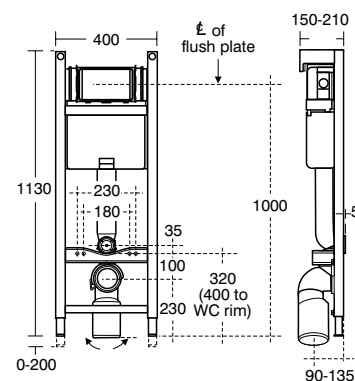
Suitable for use with any Ideal Standard or Armitage WC at 6 litre flush. Please check for lower flush volumes.

## WCs

## In-Wall Frames

## 1100mm high pneumatic

WC in wall frames provide a simple answer to installing wall mounted WCs in a secure frame that incorporates a built in cistern. Quiet filling and quiet pneumatic operation.



November 2017	
Uniclass PR_40_20	CAWS N13
C/SFB	(74)

## IDEAL STANDARD

Domestic and commercial use

Fast easy installation

Dual Flush

Quiet operation

**Illustrated**

**E9327** In-wall system for WC, 1100mm high, pneumatic front operation flushplate

**Material**

Steel

**Weight**

In-wall system for WC 13kg

**Capacity**

6/3 litres dual flush  
Can be converted to 4.5/3

**Finishes**

Available in Neutral / No Finish (67)

**Options**

**E4465** Karisma flush plate, dual flush, pneumatic (Available in Chrome (AA), Satin chrome (GN))

**VV6400** Salina flush plate, dual flush, pneumatic (Available in Chromium plated (84), Satin Chrome (86))

**VV6398** Trend stainless steel flush plate, dual flush, pneumatic with tamper resistant screws (Available in Chrome finish (64), Satin finish (66))

**Special notes**

Suitable for use with any Ideal Standard or Armitage WC at 6 litre flush. Please check for lower flush volumes.



# In-Wall Frames

## 880mm high mechanical

WC in wall frames provide a simple answer to installing wall mounted WCs in a secure frame that incorporates a built in cistern. Quiet filling operation.

November 2017	
Uniclass PR_40_20	CAWS N13
C/S/FB	(74)

### IDEAL STANDARD

Domestic and commercial use

Fast easy installation

Dual Flush

Quiet operation

#### Illustrated

**E9325** In-wall system for WC, 880mm high, mechanical top or front operation flushplate

#### Material

Steel

#### Weight

In-wall system for WC 13kg

#### Capacity

6/3 litres dual flush  
Can be converted to 4.5/3

#### Finishes

Available in Neutral / No Finish (67)

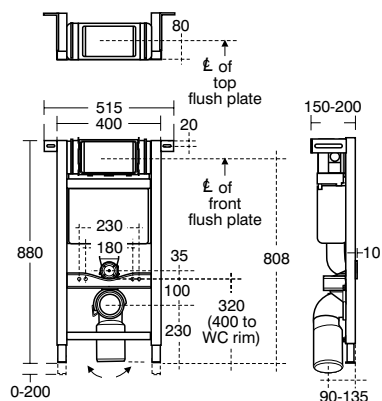
#### Options

**VV6385** River flush plate, dual flush, mechanical (Available in White (81), Chromium plated (84))

**VV6590** Slim flush plate, dual flush, mechanical (Available in Chromium plated (44), Satin Chrome (46))

#### Special notes

Suitable for use with any Ideal Standard or Armitage WC at 6 litre flush. Please check for lower flush volumes.



# In-Wall Frames

## 880mm high pneumatic

WC in wall frames provide a simple answer to installing wall mounted WCs in a secure frame that incorporates a built in cistern. Quiet filling and quiet pneumatic operation.

November 2017	
Uniclass PR_40_20	CAWS N13
C/S/FB	(74)

### IDEAL STANDARD

Domestic and commercial use

Fast easy installation

Dual Flush

Quiet operation

#### Illustrated

**E9328** In-wall system for WC, 880mm high, pneumatic top or front operation flushplate

#### Material

Steel

#### Weight

In-wall system for WC 13kg

#### Capacity

6/3 litres dual flush  
Can be converted to 4.5/3

#### Finishes

Available in Neutral / No Finish (67)

#### Options

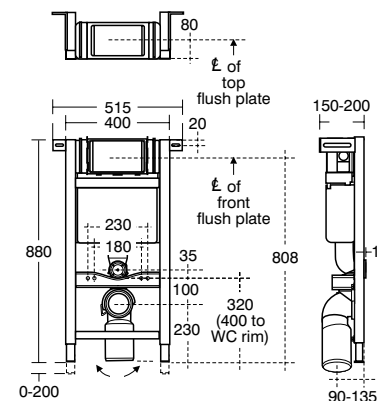
**VV6400** Salina flush plate, dual flush, pneumatic (Available in Chromium plated (84), Satin Chrome (86))

**E4465** Karisma flush plate, dual flush, pneumatic (Available in Chromium plated (04), Satin Chrome (06))

**VV6398** Trend stainless steel flush plate, dual flush, pneumatic with tamper resistant screws (Available in Chrome finish (64), Satin finish (66))

#### Special notes

Suitable for use with any Ideal Standard or Armitage WC at 6 litre flush. Please check for lower flush volumes.







November 2017	
Uniclass PR_40_20	CAWS N13
CI/SFB	(74)

November 2017	
Uniclass PR_40_20	CAWS N13
CI/SFB	(74)

# WCs

## Seats

## Contour 21 standard seat

A range of seats in plastic for use in schools and public buildings.



Conform to BS 1254  
With no cover or cover option

**Illustrated**

**S4065** Contour 21 seat and cover, top fixing hinges

**Material**

Plastic

**Weight**

1.2kg

**Colour**

Available in White (01), Blue (36), Grey (LJ), Charcoal (RN)

**Standards**

Seat to BS 1254

**Options**

**S4066** Contour 21 seat no cover, top fixing hinges and retaining buffers



## Contour 21+ thin seat

Contour 21+ slim seat and cover for use with standard projection, standard height pans for non clinical use.



Contemporary slim design  
Slow close

**Illustrated**

**S0670** Contour 21+ slow close seat and cover with top fix hinges

**Material**

Plastic

**Weight**

1.5kg

**Colour**

Available in White (01)

**Standards**

Seat to BS 1254



## Contour 21 Splash schools seat 355

A range of bright coloured school washroom toilet seats for use with 355 Contour 21 Splash WC range. Made from heavy duty polypropylene to withstand tough usage.



Available in 4 bright colour options  
Easy open lid handle  
Seat only options  
Durable polypropylene

**Illustrated**

**S4536** Contour 21 Splash seat and cover for 355mm bowls

**Material**

Plastic

**Weight**

2.7kg

**Finishes**

Available in Yellow (79), Red (GQ), Light Blue (36), White (01)

**Standards**

Seat to BS 1254

**Options**

**S4545** Contour 21 Splash seat ring only for 355mm bowls



## Contour 21 Splash schools seat 305

A range of bright coloured school washroom toilet seats for use with the 305 Contour 21 Splash WC range. Made from heavy duty polypropylene to withstand tough usage.



Available in 4 bright colour options  
Support handles on seat for young children  
Durable Polypropylene  
Seat only Options  
Easy open lid handle

**Illustrated**

**S4533** Contour 21 Splash seat and cover for 305mm bowls

**Weight**

2.7kg

**Finishes**

Available in Yellow (79), Red (GQ), Light Blue (36), White (01)

**Standards**

Seat to BS 1254

**Options**

**S4542** Contour 21 Splash seat ring only for 305mm bowl



Uniclass PR_40_20	CAWS N13
CI/SFB	(74)

Seats

WCs

# Washbasins



Pedestal and Wall	3:1:1
Semi-countertop	3:2:1
Countertop	3:3:1
Under-countertop	3:4:1
Handrinse	3:5:1
Fittings	3:6:1

## Icon key

	Residential
	Public Places
	Water Savings
	Hospitals & Healthcare
	Disabled Access
	Doc M Compliant
	Education
	Spacesaving
	Hotels
	Anti-vandal

November 2017	
Uniclass PR_40_20	CAWS N13
CI/SFB	(74)

November 2017	
Uniclass PR_40_20	CAWS N13
CI/SFB	(74)

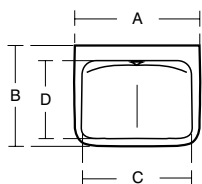
# Washbasins

## Pedestal and Wall

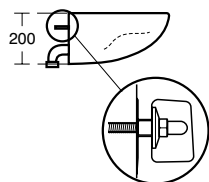
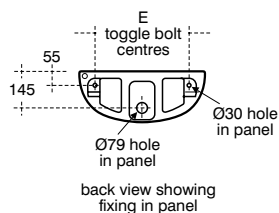
## Washbasins

# Contour 21+ 60 - 50 back outlet

Contour 21+ washbasins are specially designed for use with ducted services and have the advantage of a new back outlet compact waste system with an anti-microbial treatment. The basins incorporate a hydrophilic glaze with anti-microbial qualities and a new easy fixation system. This basin also includes an anti-splash 'fin' feature.



	A	B	C	D	E
<b>50cm</b>	500	400	435	310	375
<b>60cm</b>	600	480	520	385	475



November 2017	
Uniclass PR_40_20	CAWS N13
CUSFB	(74)

ARMITAGE SHANKS

Commercial, hospital and healthcare use

Two sizes and handrinse version

Designed for ducted panel services

Concealed back outlet

Hydrophilic glaze with anti-microbial properties

New easy fixation

Anti-splash feature

### Illustrated

**S0430** Contour 21+ 50cm back outlet washbasin, no tapholes, no overflow with anti-splash and anti-microbial glaze

**A6682** Markwik 21+ panel mounted thermostatic basin mixer, single sequential lever, demountable with removable spout

**S0388** Contour 21+ basin fixation set

**S0386** Contour 21+ waste pack with SmartGuard for wall mounted basin

### Material

Vitreous China

### Weight

50cm Washbasin 13.0kg

60cm Washbasin 15.0kg

Basin Mixer 4.0kg

### Finishes

White with SmartGuard (HY)

### Standards

Vitreous china to BS 3402.

Washbasin to BS EN 14688 and BS EN 31

### Options

**S0444** Contour 21+ 60cm back outlet washbasin, no tapholes, no overflow with anti-splash and anti-microbial glaze

### Special notes

Suggested rim heights; 780-800 for ambulant users 680-700 for wheelchair users.

Washbasin panel mounted using the S0388 Contour 21+ fixation set.



3 : 1 : 2

Tel 0870 122 8822 Fax 0870 122 8282

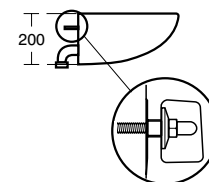
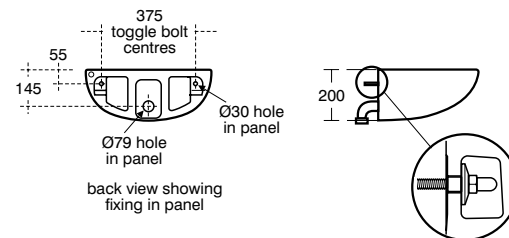
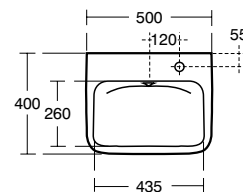
Email [info@thebluebook.co.uk](mailto:info@thebluebook.co.uk)

Online search, specify & CAD: [www.thebluebook.co.uk](http://www.thebluebook.co.uk)

## Washbasins

# Contour 21+ 50 back outlet

Contour 21+ washbasins are specially designed for use with ducted services and have the advantage of a new back outlet compact waste system with an anti-microbial treatment. The basins incorporate a hydrophilic glaze with anti-microbial qualities and a new easy fixation system.



November 2017	
Uniclass PR_40_20	CAWS N13
CUSFB	(74)

ARMITAGE SHANKS

Commercial, hospital and healthcare use

40cm handrinse version available

Designed for ducted panel services

Concealed back outlet

Hydrophilic glaze with anti-microbial properties

New easy fixation

Left and right hand taphole options

### Illustrated

**S0432** Contour 21+ 50cm back outlet washbasin, one right hand taphole, no overflow with anti-microbial glaze

**A6696** Markwik 21+ 1 hole thermostatic basin mixer, single sequential lever, demountable with copper tails

**A6791** Markwik 21+ basin mixer fixing kit for use with Contour 21+ closed basin

**S0388** Contour 21+ basin fixation set

**S0387** Contour 21+ waste pack with SmartGuard for tap deck basin

### Material

Vitreous China

### Weight

50cm Washbasin 13.0kg

Basin Mixer 2.5kg

### Finishes

White with SmartGuard (HY)

### Standards

Vitreous china to BS 3402.

Washbasin to BS EN 14688 and BS EN 31

### Options

**S0431** Contour 21+ 50cm back outlet washbasin, one left hand taphole, no overflow with anti-microbial glaze

### Special notes

Suggested rim heights; 780-800 for ambulant users, 680-700 for wheelchair users.

Washbasin panel mounted using the S0388 fixation set.



3 : 1 : 3

Tel 0870 122 8822 Fax 0870 122 8282

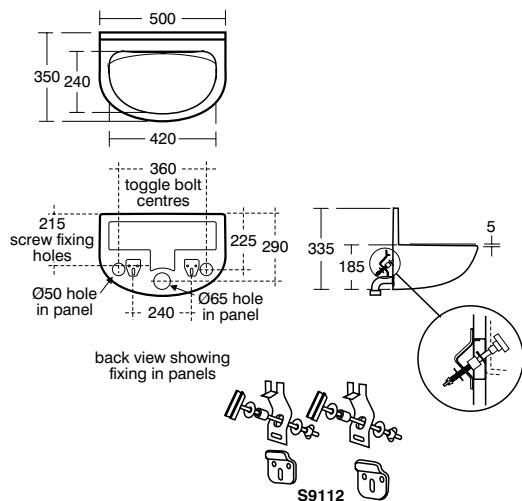
Email [info@thebluebook.co.uk](mailto:info@thebluebook.co.uk)

Online search, specify & CAD: [www.thebluebook.co.uk](http://www.thebluebook.co.uk)

# Contour 21

## 50 back outlet upstand

LB H M hospital pattern basin, with 150mm upstand and integral back outlet, for connection to concealed services with concealed fixings, no tapholes, no overflow, no chain hole, no plug.



November 2017	
Uniclass PR_40_20	CAWS N13
CUSFB	(74)

ARMITAGE SHANKS

Medium hospital pattern basin

Washing under running water

Fully concealed services

### Illustrated

**S2144** Contour 21 50cm back outlet washbasin, with 150mm upstand no tapholes, no overflow, no chainstay hole

**A6682** Markwik 21+ panel mounted thermostatic basin mixer, single sequential lever, demountable with removable spout

**A6252** Spout 100mm for Markwik 21 mixer, fitted with interchangeable Armitage Bioguard outlet

**S8750** Waste 1¼" outlet adaptor for all Contour back outlet washbasins

**S8920** Trap 1¼" plastic resealing bottle, 75mm seal

**S9112** Concealed hangers pressed Steel, toggle bolts and clips for Contour washbasins

### Material

Vitreous China

### Weight

50cm Washbasin 14.0kg

### Finishes

Available in White (01)

### Standards

Vitreous china to BS 3402

### Options

**A4846** Sensorflow 21 compact tubular panel mounted 150mm projection spout, anti splash or anti vandal laminar flow outlet, integral sensor, copper tube inlets, mains

**A4847** Sensorflow 21 compact tubular panel mounted 150mm projection spout, anti splash or anti vandal laminar flow outlet, integral sensor, copper tube inlets, link

**A4845** Sensorflow 21 compact tubular panel mounted 150mm projection spout, anti splash or anti vandal laminar flow outlet, integral sensor, copper tube inlets, battery

### Special notes

Toggle bolts and outlet adaptor are suitable for panel thickness up to 18mm. Suggested rim height 780-800mm. Washbasin wall mounted using S9112 hangers with additional toggle bolt and clips when panel mounted. Suitable TB H6 wall mounted taps will need to be positioned sufficiently above the upstand to a maximum of 200mm from base of outlet to lip of washbasin.



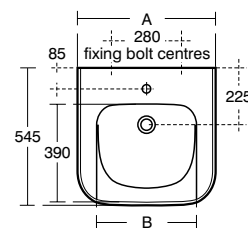
3 : 1 : 4

Tel 0870 122 8822 Fax 0870 122 8282  
Email [info@thebluebook.co.uk](mailto:info@thebluebook.co.uk)  
Online search, specify & CAD: [www.thebluebook.co.uk](http://www.thebluebook.co.uk)

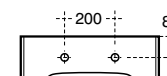
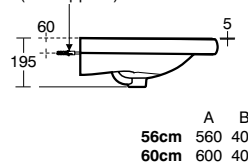
# Contour 21

## 60 - 55 accessible

Contour 21 accessible 60cm and 55cm washbasins are designed specifically to allow people using wheelchairs access to the washbasin wash area. Innovative hand hold facility around front rim of basin.



E0157 wall fixing set (not supplied)



November 2017	
Uniclass PR_40_20	CAWS N13
CUSFB	(74)

ARMITAGE SHANKS

Commercial and domestic use

Provides knee clearances

Available in two sizes

Ergonomic design

Innovative hand hold facility

Option for wall or panel fixing

### Illustrated

**S2168** Contour 21 60cm accessible washbasin, 1 taphole with overflow

**A6697** Contour 21+ 1 hole thermostatic basin mixer, single sequential lever with copper tails

**S8733** Waste 1¼" brass anti theft swivel plug waste, 80mm slotted tail

**E0079** Trap 1¼" Contemporary metal bottle

**E0157** Wall fixing set

### Material

Vitreous China

### Weight

60cm Washbasin 17.6kg

### Finishes

Available in White (01)

### Standards

Vitreous china to BS 3402. Washbasin to BS EN 14688 & BS EN 31. Conforms to Doc M and HTM 04

### Options

**S2169** Contour 21 60cm accessible washbasin, 2 tapholes with overflow and chainstay hole

**S2167** Contour 21 60cm accessible washbasin, no tapholes with overflow

**S2165** Contour 21 55cm accessible washbasin, 1 taphole with overflow

**S2164** Contour 21 55cm accessible washbasin, no tapholes with overflow

**S2166** Contour 21 55cm accessible washbasin, 2 tapholes with overflow and chainstay hole

**A6698** Contour 21+ 1 hole thermostatic basin mixer, single sequential lever with flexible tails

**A6790** Contour 21+ Outline 1 hole thermostatic basin mixer, single sequential lever with flexible tails

### Special notes

Suitable for use with handrinse basins in public areas and Doc M. Satisfies DDA requirements. Meets the requirements laid out in HTM 64, HTM 04. Single easy use lever operates on/off and temperature control. Eliminates the need for premixed water. Washbasin wall mounted using E0157.



3 : 1 : 5

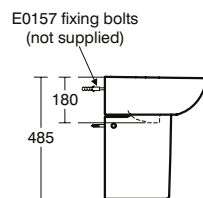
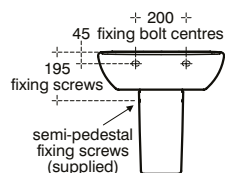
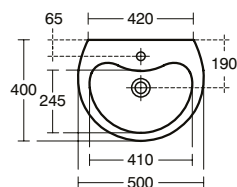
Tel 0870 122 8822 Fax 0870 122 8282  
Email [info@thebluebook.co.uk](mailto:info@thebluebook.co.uk)  
Online search, specify & CAD: [www.thebluebook.co.uk](http://www.thebluebook.co.uk)



# Contour 21 Splash

## 50 schools

Specially designed basins for schools combine fun shapes with practical ergonomic designs for easy cleaning.



November 2017	
Uniclass PR_40_20	CAWS N13
C/SFB	(74)

ARMITAGE SHANKS

Key Stage 2

Fun shaped design

1 or 2 tap hole options

Semi pedestal option

### Illustrated

**S2690** Contour 21 Splash 50cm Schools basin with overflow - one taphole

**S2994** Contour 21 Splash semi pedestal for 50cm basins

**B8263** Avon 21 washbasin mixer 1 hole, self closing push button, variable temperature control with 15mm female connector flexible hoses on inlets

**S8722** Waste 1¼" brass strainer waste, 80mm slotted tail

**E0157** Wall fixing set

### Material

Vitreous China

### Weight

50cm Washbasin 11.5kg

Semi-pedestal 5.5kg

### Finishes

Available in White (01)

### Standards

Vitreous china to BS 3402

### Options

**S2691** Contour 21 Splash 50cm Schools basin with overflow - two tapholes

**B8262** Piccolo 21 inclined ½" washbasin pillar taps, lever operated, dual hot and cold indices, anti-vandal water saving nozzle

**A4852** Sensorflow 21 compact washbasin mounted spout integral sensor servicing valve and filter, copper tube inlets, mains

**A4853** Sensorflow 21 compact washbasin mounted spout integral sensor servicing valve and filter, copper tube inlets, link

**A4851** Sensorflow 21 compact washbasin mounted spout integral sensor servicing valve and filter, copper tube inlets, battery

**S8920** Trap 1¼" plastic resealing bottle, 75mm seal, multi-purpose outlet

**S8900** Trap 1¼" metal bottle, 75mm seal, outlet screwed 1¼" BSP male with compression nut and ring

### Special notes

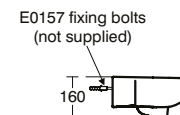
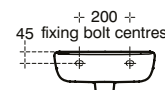
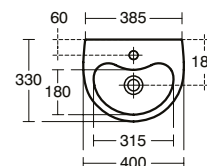
Recommended fixing heights (floor to front rim); Nursery use 600mm Infant use 700mm Junior use 750mm Senior/adult use 780-800mm. Washbasin wall mounted using E015767 wall fixing set or panel mounted using E006267 fixing set.



# Contour 21 Splash

## 40 schools

Specially designed basins for schools combine fun shapes with practical ergonomic designs for easy cleaning.



November 2017	
Uniclass PR_40_20	CAWS N13
C/SFB	(74)

ARMITAGE SHANKS

Key stage 1

Fun shaped design

1 or 2 tap hole options

### Illustrated

**S2635** Contour 21 Splash 40cm Schools basin with overflow - one taphole

**B8263** Avon 21 washbasin mixer 1 hole, self closing push button, variable temperature control with 15mm female connector flexible hoses on inlets

**S8722** Waste 1¼" brass strainer waste, 80mm slotted tail

**S8920** Trap 1¼" plastic resealing bottle, 75mm seal, multi-purpose outlet

**E0157** Wall fixing set

### Material

Vitreous China

### Weight

50cm Washbasin 7.7kg

### Finishes

Available in White (01)

### Standards

Vitreous china to BS 3402

### Options

**S2636** Contour 21 Splash 40cm Schools basin with overflow - two tapholes

**B8262** Piccolo 21 inclined ½" washbasin pillar taps, lever operated, dual hot and cold indices, anti-vandal water saving nozzle

**S8900** Trap 1¼" metal bottle, 75mm seal, outlet screwed 1¼" BSP male with compression nut and ring

**S8733** Waste 1¼" brass anti theft swivel plug waste, 80mm slotted tail

**S8800** Waste 1¼" plastic waste with bead chain and plug, 80mm slotted tail, bolt stay

### Special notes

Recommended fixing heights (floor to front rim); Nursery use 600mm Infant use 700mm Junior use 750mm Senior/adult use 780-800mm. Washbasin wall mounted using E015767 wall fixing set or panel mounted using E006267 fixing set

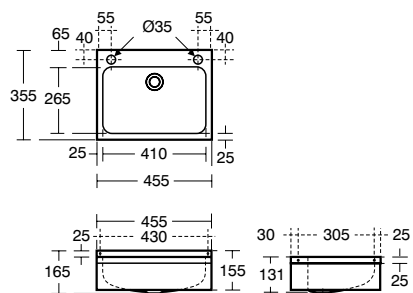


## Washbasins

# Denholm 2

## 46 wall hung

New style 46cm vandal resistant washbasin.



November 2017	
Uniclass PR_40_20	CAWS N13
C/SFB	(74)

ARMITAGE SHANKS

Anti Vandal  
Stainless Steel

### Illustrated

**S2625** Denholm 2 46cm washbasin with 2 corner tapholes complete with combined chainstay overflow waste, complete with semi-shroud

**B8267** Avon 21 washbasin inclined pillar taps (pair) with dual Hot and Cold indices per tap, self closing push button non concussive, water saving anti-vandal nozzle regulated to 5 litres per minute maximum. Alternative low pressure outlet option supplied.

**S8920** Trap 1¼" plastic resealing bottle, 75mm seal

### Material

Stainless Steel

### Weight

46cm Washbasin 3.8kg

### Finishes

Available in Stainless Steel (MY)

### Standards

Steel sheet conforms to BS EN 10088:Part2:2005 Material 1.4301 (304) - 0.9mm

### Options

**S2626** Denholm 2 46cm stainless steel washbasin with right hand taphole, no overflow or chainstay hole. Supplied complete with strainer waste.

**S2627** Denholm 2 46cm stainless steel washbasin with no tapholes, no overflow or chainstay hole. Supplied complete with strainer waste.

### Special notes

Stainless steel screw to wall brackets and bolts inclusive. Consideration should be given to safe hot water delivery and the use of an appropriate temperature reduction device see A5900 or Part G for guidance.



3 : 1 : 8

Armitage  
Shanks

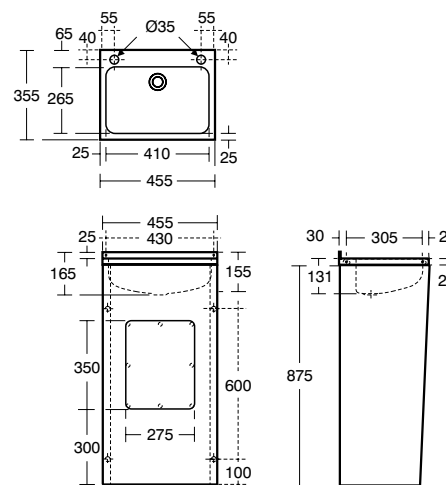
Tel 0870 122 8822 Fax 0870 122 8282  
Email [info@thebluebook.co.uk](mailto:info@thebluebook.co.uk)  
Online search, specify & CAD: [www.thebluebook.co.uk](http://www.thebluebook.co.uk)

## Washbasins

# Denholm 2

## 46 with shroud

New style 46cm vandal resistant washbasin. Stainless steel sheet washbasin can be fitted with a shroud to conceal plumbing fittings.



November 2017	
Uniclass PR_40_20	CAWS N13
C/SFB	(74)

ARMITAGE SHANKS

Anti Vandal  
Stainless Steel  
Duct or Surface fixing

### Illustrated

**S2625** Denholm 2 46cm washbasin with 2 corner tapholes complete with combined chainstay overflow waste

**B8267** Avon 21 washbasin inclined pillar taps (pair) with dual Hot and Cold indices per tap, self closing push button non concussive, water saving anti-vandal nozzle regulated to 5 litres per minute maximum. Alternative low pressure outlet option supplied.

**S8920** Trap 1¼" plastic resealing bottle, 75mm seal

**S2992** Denholm 2 washbasin shroud stainless steel for surface fixing with access panel

### Material

Stainless Steel

### Weight

46cm Washbasin 3.8kg

### Finishes

Available in Stainless Steel (MY)

### Standards

Steel sheet conforms to BS EN 10088:Part2:2005 Material 1.4301 (304) - 0.9mm

### Options

**S2626** Denholm 2 46cm stainless steel washbasin with right hand taphole, no overflow or chainstay hole supplied complete with strainer waste

**S2627** Denholm 2 46cm stainless steel washbasin with no tapholes, no overflow or chainstay hole supplied complete with strainer waste

**S2993** Shroud for duct fixing

### Special notes

Earthing tag and brackets included please specify the type of shroud. Consideration should be given to safe hot water delivery and the use of an appropriate temperature reduction device see A5900 or Part G for guidance.



3 : 1 : 8

Armitage  
Shanks

Tel 0870 122 8822 Fax 0870 122 8282  
Email [info@thebluebook.co.uk](mailto:info@thebluebook.co.uk)  
Online search, specify & CAD: [www.thebluebook.co.uk](http://www.thebluebook.co.uk)

## Washbasins

# Leadenhall

## 55 back outlet

Designed by Richard Rogers Partnership for a future landmark building in London.

November 2017	
Uniclass PR_40_20	CAWS N13
CUSFB	(74)

ARMITAGE SHANKS

Domestic and commercial use

Streamline design

Concealed back outlet

Easy to clean

### Illustrated

**S2058** Leadenhall 55cm washbasin, back outlet, no tapholes

**A4849** Sensorflow 21 compact tubular panel mounted 230mm projection spout, anti splash or anti vandal laminar flow outlet, integral sensor, copper tube inlets, mains

**S8750** Waste 1¼" outlet adaptor for all Contour back outlet washbasins

**S8920** Trap 1¼" plastic resealing bottle, 75mm seal

**S9112** Concealed hangers pressed steel, toggle bolts and clips for Contour washbasins

### Material

Fine Fireclay

### Weight

55cm Washbasin 20.0kg

### Finishes

Available in White (01)

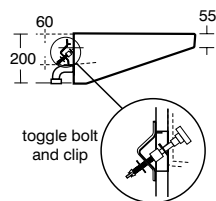
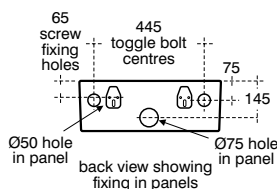
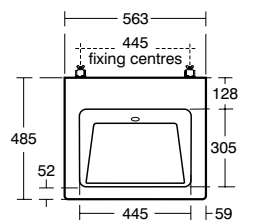
### Options

**A4850** Sensorflow 21 compact tubular panel mounted 230mm projection spout, anti splash or anti vandal laminar flow outlet, integral sensor, copper tube inlets, link

**A4848** Sensorflow 21 compact tubular panel mounted 230mm projection spout, anti splash or anti vandal laminar flow outlet, integral sensor, copper tube inlets, battery

### Special notes

Washbasin wall mounted using S9112 hangers or panel mounted using S9112 hangers, toggle bolts & clips. Toggle bolts and outlet adaptor suitable for panel thickness up to 18mm. Consideration should be given to safe hot water delivery and the use of an appropriate temperature reduction device see A5900 or Part G for guidance.



S9112



## Washbasins

# Portman 21

## 55 - 50

Extension to the Portman range, modern design in vitreous china most suited to pedestal and semi-pedestal fixing.

November 2017	
Uniclass PR_40_20	CAWS N13
CUSFB	(74)

ARMITAGE SHANKS

Commercial and domestic use

2 sizes 50 & 55cm with 1 or 2 taphole options

### Illustrated

**S2478** Portman 21 55cm pedestal washbasin 1 taphole with overflow

**S2989** Portman 21 full pedestal

**B9135** Piccolo 21 single lever 1 hole basin mixer with pop-up waste, fitted 5 litres per minute aerated flow regulator, optional flow straightener, EasyFix, temperature limit stop, flexible tails

**S8910** Trap 1¼" plastic bottle, 75mm seal

### Material

Vitreous China

### Weight

55cm Washbasin 13.8kg  
Full pedestal 6.2kg

### Finishes

Available in White (01)

### Standards

Vitreous china to BS 3402. Washbasin to BS EN 14688 & BS EN 31

### Options

**S2991** Portman 21 semi-pedestal

**E0157** Wall fixing set

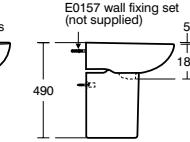
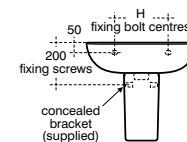
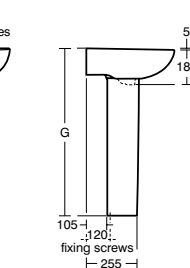
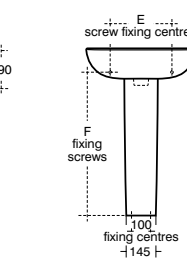
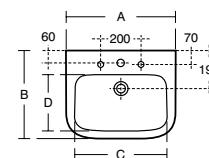
**S2479** Portman 21 55cm pedestal washbasin 2 tapholes with overflow and chainstay hole

**S2481** Portman 21 50cm pedestal washbasin 1 taphole with overflow

**S2482** Portman 21 50cm pedestal washbasin 2 tapholes with overflow and chainstay hole

### Special notes

Washbasin wall mounted using E0157 wall fixing set with semi pedestal fixed to wall with brackets supplied or full pedestal mounted using 2 screws through the back of the basin (not supplied)



A	B	C	D	E	F	G	H
550	440	460	280	315	720	835	280
500	420	420	265	250	715	830	190



# Portman 21

60 - 50 - 40

Modern design washbasin in vitreous china in 3 sizes, 60cm, 50cm and 40cm.



November 2017	
Uniclass PR_40_20	CAWS N13
C/SFB	(74)

ARMITAGE SHANKS

Commercial and domestic use

Anti vandal applications

Three sizes available

With or without overflow

5 taphole options for

50cm basin

Option for wall or panel

fixing set

**Illustrated**

**S2309** Portman 21 50cm washbasin, 2 tapholes with overflow and chainstay hole

**E0157** Wall fixing set

**B8267** Avon 21 washbasin inclined pillar taps (pair) with dual Hot and Cold indices per tap, self closing push button non concussive, water saving anti-vandal nozzle regulated to 5 litres per minute maximum. Alternative low pressure outlet option supplied.

**S8800** Waste 1¼" plastic waste with bead chain and plug, 80mm slotted tail, bolt stay

**S8920** Trap 1¼" plastic resealing bottle, 75mm seal

**Material**

Vitreous China

**Weight**

50cm Washbasin 12.7kg

**Finishes**

Available in White (01)

**Standards**

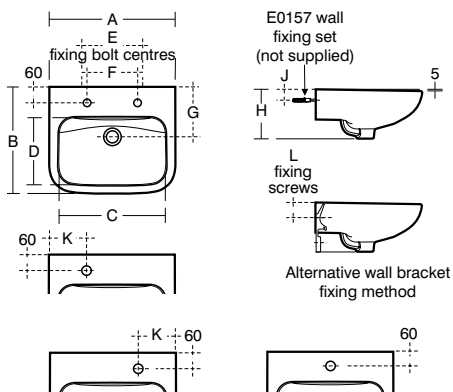
Vitreous china to BS 3402. Washbasin to BS EN 14688 & BS EN 31

**Options**

**E0062** Panel fixing set  
(Please see Portman 21 variants page)

**Special notes**

Washbasin wall mounted using E0157 wall fixing set or panel mounted using E0062 panel fixing set.



A	B	C	D	E	F	G	H	J	K	L
400	365	335	215	200	100	190	175	45	150	125
500	420	420	265	240	200	195	195	45	150	125
600	480	505	315	280	200	195	200	60	200	145



# Portman 21 Variants

60 - 50 - 40

Modern design washbasin in vitreous china in 3 sizes, 60cm, 50cm and 40cm.

November 2017	
Uniclass PR_40_20	CAWS N13
C/SFB	(74)

ARMITAGE SHANKS

40cm	50cm	60cm	
S2317	S2309	S2257	2 tapholes with overflow and chainstay hole
S2313*	S2310		2 tapholes with overflow, no chainstay hole *170mm between tap hole centres
S2158	S2253	S2294	2 tapholes no overflow, no chainstay hole
S2314	S2254	S2298	One right hand taphole no overflow, no chainstay hole
S2159	S2308		One left hand taphole no overflow, no chainstay hole
S2157	S2311	S2256	One central taphole (for monoblock) with overflow, no chainstay hole
S2315	S2252	S2293	One centre taphole (for monoblock) no overflow, no chainstay hole
S2156	S2251	S2255	No tapholes no overflow no chainstay hole

# Salonex

## 61 hairdressers

Shampoo washbasin for hairdressing salons and health and welfare centres. Available with two tapholes at 20cm centres.

November 2017	
Uniclass PR_40_20	CAWS N13
C/S/F/B	(74)

ARMITAGE SHANKS

- Commercial use
- Specialist use
- Hairdressing salons
- Health and welfare

### Illustrated

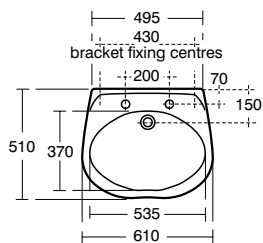
- S2300** Salonex 61cm washbasin with 2 tapholes
- S7450** Starlite hairdressers washbasin mixer 1 hole with metal handles, flexible hose, handspray and metal sleeve. (inlets plain 10mm copper pipe)
- S8730** Waste 1¼" brass strainer waste with lift out grid
- S8900** Trap 1¼" metal bottle, 75mm seal, outlet screwed 1¼" BSP male with compression nut and ring
- S9175** Salonex brackets, screw to wall, Aluminium alloy

**Material**  
Vitreous China

**Weight**  
61cm Washbasin 14.3kg

**Finishes**  
Available in White (01)

**Special notes**  
Washbasin wall mounted using S9175 support brackets



S9175 (pair)



# Sandringham 21

55 - 50

Sandringham 21 washbasin suitable for pedestal or wall fixing. Available with 1 centre taphole or 2 tapholes at 20cm centres.

November 2017	
Uniclass PR_40_20	CAWS N13
C/S/F/B	(74)

ARMITAGE SHANKS

- Domestic and commercial use
- Pedestal or wall mounted
- Taphole and chainstay options
- Part of Sandringham 21 suite

### Illustrated

- E8951** Sandringham 21 55cm washbasin, 2 tapholes, with overflow and chainstay hole
- E8976** Sandringham 21 full pedestal
- B9865** Sandringham 21 basin pillar taps
- S8800** Waste 1¼" plastic waste with bead chain and plug, 80mm slotted tail, bolt stay
- S8950** Trap 1¼" plastic P for use with cloakroom pedestal

**Material**  
Vitreous China

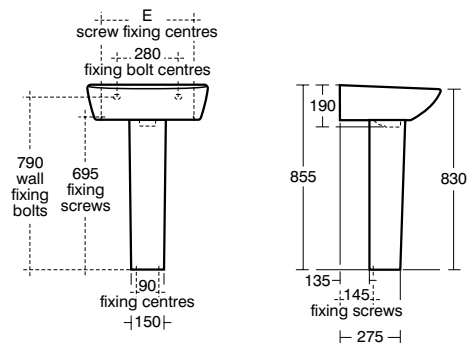
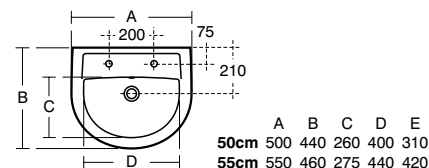
**Weight**  
55cm Washbasin 15.5kg  
Full pedestal 10.3kg

**Finishes**  
Available in White (01)

**Standards**  
Vitreous china to BS 3402. Washbasin to BS EN 14688 & BS EN 31

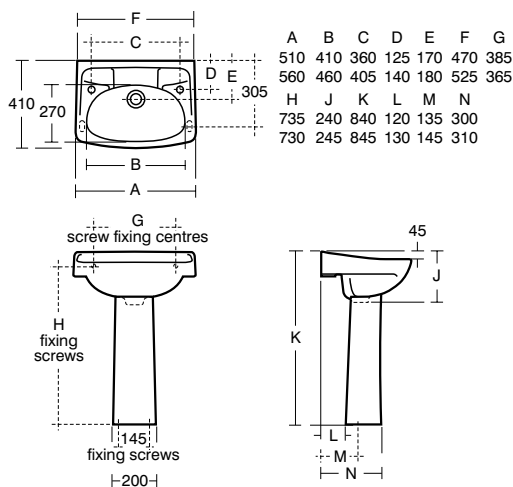
- Options**
- E0157** Wall fixing set
  - E8949** Sandringham 21 55cm washbasin, 1 taphole, with overflow no chainstay hole
  - E8962** Sandringham 21 55cm washbasin, 1 taphole, with overflow and chainstay hole
  - E8945** Sandringham 21 50cm washbasin, 1 taphole, with overflow no chainstay hole
  - E8946** Sandringham 21 50cm washbasin, 2 taphole, with overflow and chainstay hole

**Special notes**  
Washbasin wall mounted using E0157 wall fixing set or full pedestal mounted using 2 screws through the back of the basin (not supplied)



# Sandringham Royalex 56 - 51

Available in 2 sizes, 56cm x 41cm, 51cm x 41cm, this vitreous china washbasin is suitable for wall or pedestal fixing.



November 2017	
Uniclass PR_40_20	CAWS N13
C/S/FB	(74)

## ARMITAGE SHANKS

Domestic and public uses

Corner tapholes

Anti vandal

British Standard washbasin

Two sizes

### Illustrated

**S2170** Sandringham Royalex 56cm washbasin, 2 corner tapholes with overflow and chainstay hole

**S2955** Ova Pedestal

**B9865** Sandringham 21 Washbasin Pillar Taps

**S8800** Waste 1¼" plastic waste with bead chain and plug, 80mm slotted tail, bolt stay

**S8910** Trap 1¼" plastic bottle, 75mm seal

### Material

Vitreous China

### Weight

56cm Washbasin 14.1kg

Pedestal 10.5kg

### Finishes

Available in White (01)

### Standards

Vitreous china to BS 3402 - Washbasin to BS 1188

### Options

**S9110** Concealed wall hangers

**S2180** Sandringham Royalex 51cm washbasin with two corner tapholes and chainstay hole

### Special notes

Washbasin wall mounted using S9110 hangers and S9145 bracket (when appropriate) or full pedestal mounted using 2 screws through the back of the basin (not supplied). Note: A pop up waste cannot be fitted when using S9145 bracket

November 2017	
Uniclass PR_40_20	CAWS N13
C/S/FB	(74)

# Washbasins

## Semi-countertop





# Contour 21 Splash

## 40 semi-countertop

Compact semi-countertop basin perfect for new school washrooms or washroom refurbishment. The size allows for more basins in a run.



November 2017	
Uniclass PR_40_20	CAWS N13
C/SFB	(74)

ARMITAGE SHANKS

Primary or nursery  
Fun shaped design  
Part of an extensive range  
Space saving design

**Illustrated**

**S0436** Contour 21 Splash 40cm semi-countertop washbasin, 1 taphole with overflow  
**B8263** Avon 21 washbasin mixer 1 hole, self closing push button, variable temperature control with 15mm female connector flexible hoses on inlets  
**S8722** Waste 1¼" brass strainer waste, 80mm slotted tail  
**S8910** Trap 1¼" plastic bottle, 75mm seal, multi-purpose outlet

**Material**

Vitreous China

**Weight**

40cm Washbasin 8.9kg

**Finishes**

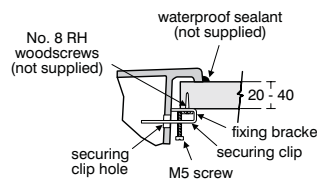
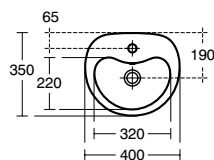
Available in White (01)

**Standards**

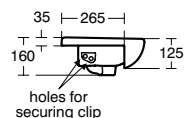
Vitreous china to BS 3402. Washbasin to BS EN 14688 & BS EN 31

**Special notes**

Washbasin fixed to countertop with securing clips provided. Joint sealed with waterproof sealant (not supplied)



section through basin showing securing clip



# Profile 21

## 50 semi-countertop

Profile 21 practical and versatile vanity washbasin for use in fitted furniture, vanity units and countertops. No overflow versions for healthcare applications.



November 2017	
Uniclass PR_40_20	CAWS N13
C/SFB	(74)

ARMITAGE SHANKS

Domestic and commercial use  
1 and 2 taphole options

**Illustrated**

**S2492** Profile 21 50cm semi-countertop washbasin, 1 taphole with overflow no chainstay hole  
**B8261** Piccolo 21 single lever 1 hole basin mixer with pop-up waste, 4.7 litres per minute laminar flow regulator, anti-vandal outlet, optional flow straightener, flexible tails  
**S8910** Trap 1¼" plastic bottle, 75mm seal

**Material**

Fine Fireclay

**Weight**

50cm Washbasin 12.0kg

**Finishes**

Available in White (01)

**Standards**

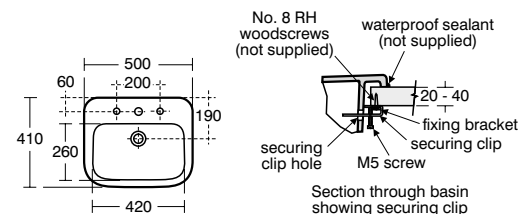
Washbasin to BS EN 14688 & BS EN 31

**Options**

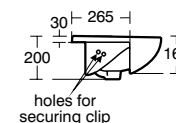
**S2494** Profile 21 50cm semi-countertop washbasin 2 tapholes with overflow no chainstay hole  
**S2495** Profile 21 50cm semi-countertop washbasin 2 tapholes no overflow with chainstay hole  
**S2493** Profile 21 50cm semi-countertop washbasin 1 taphole no overflow or chainstay hole  
**S2588** Profile 21 50cm semi-countertop washbasin 1 right hand taphole no overflow or chainstay hole

**Special notes**

Washbasin fixed to countertop with securing clips provided. Joint sealed with waterproof sealant (not supplied)



Section through basin showing securing clip



holes for securing clip





# Sandringham 21

## 50 semi-countertop

Sandringham 21 general purpose 50cm semi-countertop washbasin providing stylish and cost effective solutions.

November 2017	
Uniclass PR_40_20	CAWS N13
C/S/FB	(74)

### ARMITAGE SHANKS

Domestic and commercial use

Single or 2 taphole options

No chainstay hole version

Economical

#### Illustrated

**E8959** Sandringham 21 50cm semi-countertop washbasin, 2 tapholes with overflow and chainstay hole

**B9865** Sandringham 21 washbasin pillar taps

**S8800** Waste 1¼" plastic waste with bead chain and plug, 80mm slotted tail, bolt stay

**S8920** Trap 1¼" plastic resealing bottle, 75mm seal

#### Material

Vitreous China

#### Weight

50cm Washbasin 13.4kg

#### Finishes

Available in White (01)

#### Standards

Vitreous china to BS 3402. Washbasin to BS EN 14688 & BS EN 31

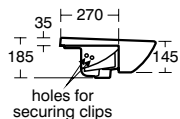
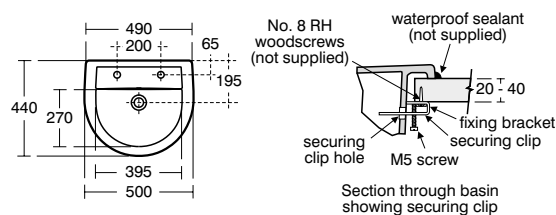
#### Options

**E8958** Sandringham 21 50cm semi-countertop washbasin, 1 taphole with overflow no chainstay hole

**E8961** Sandringham 21 50cm semi-countertop washbasin, 2 tapholes with overflow no chainstay hole

#### Special notes

Washbasin fixed to countertop with securing clips provided. Joint sealed with waterproof sealant (not supplied)



November 2017	
Uniclass PR_40_20	CAWS N13
C/S/FB	(74)

## Washbasins

# Berwick 2

## 47 countertop

New inset countertop wash basin in Stainless Steel. Self rimming for fixing into countertops with clips provided. Commercial use in schools, public buildings and anti-vandal areas.

November 2017	
Uniclass PR_40_20	CAWS N13
C/SFB	(74)

ARMITAGE SHANKS

Countertop fixing

Stainless Steel

Complete with waste and overflow

### Illustrated

**S2628** Berwick 2 47cm stainless steel self rimming countertop bowl, 1¼" combined chain waste & plug overflow, with fixing kit  
**B8262** Piccolo 21 inclined ½" washbasin pillar taps, lever operated, dual Hot and Cold indices, anti-vandal water saving nozzle  
**S8920** Trap 1¼" plastic resealing bottle, 75mm seal

### Material

Stainless Steel

### Weight

Stainless Steel Washbasin 2.3kg

### Finishes

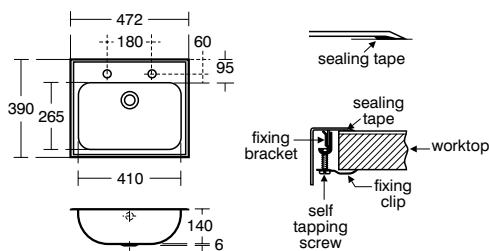
Available in Stainless Steel (MY)

### Standards

Steel sheet conforms to BS EN 10088:Part2:2005 Material 1.4301 (304) - 0.9mm

### Special notes

Washbasin mounted on countertop using fixings supplied. Consideration should be given to safe hot water delivery and the use of an appropriate temperature reduction device see A5900 or Part G for guidance.



## Washbasins

# Orbit 21

## 55 countertop

Countertop washbasin in vitreous china for use in worktop or vanity top. Available with 2 tapholes at 20cm centres or with single taphole for monoblock fitting. Also available 1 or 2 taphole without overflow or chainstay hole for hygienic healthcare countertop applications.

November 2017	
Uniclass PR_40_20	CAWS N13
C/SFB	(74)

ARMITAGE SHANKS

Domestic and commercial use

1 or 2 taphole

No overflow for extra hygiene versions

### Illustrated

**S2486** Orbit 21 55cm countertop washbasin 1 taphole with overflow  
**B8261** Piccolo 21 single lever 1 hole basin mixer with pop-up waste, 4.7 litres per minute laminar flow regulator, anti-vandal outlet, optional flow straightener, flexible tails  
**S8910** Trap 1¼" plastic bottle, 75mm seal

### Material

Vitreous China

### Weight

55cm Washbasin 8.1kg

### Finishes

Available in White (01)

### Standards

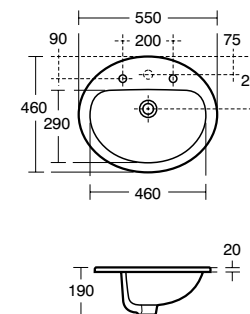
Vitreous china to BS 3402. Washbasin to BS EN 14688 & BS EN 31

### Options

**S2488** Orbit 21 55cm countertop washbasin 2 tapholes with overflow and chainstay hole  
**S2487** Orbit 21 55cm countertop washbasin 1 taphole no overflow  
**S2490** Orbit 21 55cm countertop washbasin 1 right hand taphole no overflow no chainstay hole  
**S2489** Orbit 21 55cm countertop washbasin 2 tapholes no overflow no chainstay hole  
**S2513** Orbit 21 55cm countertop washbasin 1 taphole with overflow no chainstay hole, no logo

### Special notes

Self-rimming for drop-in installation as per template supplied, joint sealed with waterproof sealant (not supplied)

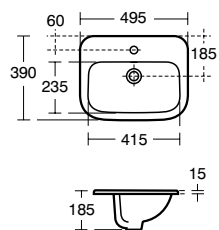


## Washbasins

# Planet 21

## 50 countertop

Countertop washbasin in vitreous china for use in worktop or vanity top. Available with 2 tapholes at 20cm centres or with single taphole for monoblock fitting.



November 2017	
Uniclass PR_40_20	CAWS N13
CUSFB	(74)

ARMITAGE SHANKS

Domestic or commercial use  
1 or 2 taphole versions

### Illustrated

- S2484** Planet 21 50cm countertop washbasin 1 taphole with overflow no chainstay hole
- A4852** Sensorflow 21 compact washbasin mounted spout integral sensor servicing valve and filter, copper tube inlets, mains
- S8722** Waste 1¼" brass strainer waste, 80mm slotted tail
- S8910** Trap 1¼" plastic bottle, 75mm seal

### Material

Vitreous China

### Weight

50cm Washbasin 7.6kg

### Finishes

Available in White (01)

### Standards

Vitreous china to BS 3402. Washbasin to BS EN 14688 & BS EN 31

### Options

- S2485** Planet 21 50cm countertop washbasin 2 tapholes with overflow and chainstay hole
- A4851** Sensorflow 21 compact washbasin mounted spout integral sensor servicing valve and filter, copper tube inlets, battery
- A4853** Sensorflow 21 compact washbasin mounted spout integral sensor servicing valve and filter, copper tube inlets, link

### Special notes

Self-rimming for drop-in installation as per template supplied, joint sealed with waterproof sealant (not supplied)



3 : 3 : 4

Tel 0870 122 8822 Fax 0870 122 8282

Email [info@thebluebook.co.uk](mailto:info@thebluebook.co.uk)

Online search, specify & CAD: [www.thebluebook.co.uk](http://www.thebluebook.co.uk)

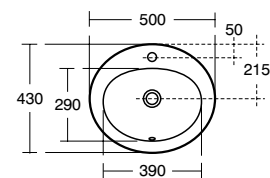
Armitage  
Shanks

## Washbasins

# Sandringham 21

## 50 countertop

Sandringham 21 general purpose countertop washbasin providing a stylish and cost effective solution, with options for 1 or 2 tapholes, with or without chainstay hole.



November 2017	
Uniclass PR_40_20	CAWS N13
CUSFB	(74)

ARMITAGE SHANKS

Domestic and commercial use  
Economical  
Single or 2 tapholes  
2 taphole with or without chainstay hole

### Illustrated

- E8952** Sandringham 21 50cm countertop washbasin, 1 taphole with overflow, no chainstay hole
- B9868** Sandringham 21 dual control 1 taphole basin mixer with pop-up waste
- S8910** Trap 1¼" plastic bottle, 75mm seal

### Material

Vitreous China

### Weight

50cm Washbasin 7.0kg

### Finishes

Available in White (01)

### Standards

Vitreous china to BS 3402. Washbasin to BS EN 14688 & BS EN 31

### Options

- E8953** Sandringham 21 50cm countertop washbasin, 2 tapholes with overflow and chainstay hole
- E8954** Sandringham 21 50cm countertop washbasin, 2 tapholes with overflow no chainstay hole

### Special notes

Self-rimming for drop-in installation as per template supplied, joint sealed with waterproof sealant (not supplied)



3 : 3 : 5

Tel 0870 122 8822 Fax 0870 122 8282

Email [info@thebluebook.co.uk](mailto:info@thebluebook.co.uk)

Online search, specify & CAD: [www.thebluebook.co.uk](http://www.thebluebook.co.uk)

Armitage  
Shanks

# Troon 2

## 39 countertop

Countertop washbasin in vandal resistant stainless steel can also be fixed using clips provided as under-countertop washbasin.

November 2017	
Uniclass PR_40_20	CAWS N13
C/S/FB	(74)

### ARMITAGE SHANKS

Countertop or under-counter

Fixing clips provided

Stainless Steel

#### Illustrated

**S2629** Troon 2 39cm washbasin complete with 1½" waste and fixing clips, no overflow

**B8263** Avon 21 washbasin mixer 1 hole, self closing push button, variable temperature control with 15mm female connector flexible hoses

**S8925** Trap 1½" plastic resealing bottle with 75mm seal, multi-purpose outlet

#### Material

Stainless Steel

#### Weight

Washbasin 2.6kg

#### Finishes

Stainless Steel (MY)

#### Standards

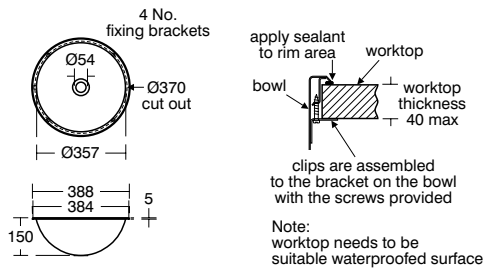
20 gauge stainless steel conforming to BS EN 10088:Part 2:2005

#### Options

**S8915** Trap 1½" plastic bottle with 75mm seal

#### Special notes

Washbasin supplied with earthing tag & mounted on or under countertop using fixings supplied. Consideration should be given to safe hot water delivery and the use of an appropriate temperature reduction device see A5900AA or Part G for guidance



November 2017	
Uniclass PR_40_20	CAWS N13
C/S/FB	(74)

### ARMITAGE SHANKS

Countertop or under-counter

Fixing clips provided

Stainless Steel

#### Illustrated

**S2629** Troon 2 39cm washbasin complete with 1½" waste and fixing clips, no overflow

**B8263** Avon 21 washbasin mixer 1 hole, self closing push button, variable temperature control with 15mm female connector flexible hoses

**S8925** Trap 1½" plastic resealing bottle with 75mm seal, multi-purpose outlet

#### Material

Stainless Steel

#### Weight

Washbasin 2.6kg

#### Finishes

Stainless Steel (MY)

#### Standards

20 gauge stainless steel conforming to BS EN 10088:Part 2:2005

#### Options

**S8915** Trap 1½" plastic bottle with 75mm seal

#### Special notes

Washbasin supplied with earthing tag & mounted on or under countertop using fixings supplied. Consideration should be given to safe hot water delivery and the use of an appropriate temperature reduction device see A5900AA or Part G for guidance

# Washbasins

## Under-countertop



# Cherwell 21

## 38 - 48 under-countertop

Round under-countertop washbasin with overflow.

November 2017	
Uniclass PR_40_20	CAWS N13
C/SFB	(74)

ARMITAGE SHANKS

Domestic and commercial use  
Modern round design

### Illustrated

**S2687** Cherwell 21 38cm round under-countertop washbasin with overflow  
**A4852** Sensorflow 21 compact washbasin mounted spout integral sensor servicing valve and filter, copper tube inlets, mains  
**S8722** Waste 1¼" brass strainer waste, 80mm slotted tail  
**S8920** Trap 1¼" plastic resealing bottle, 75mm seal

### Material

Fine Fireclay

### Weight

48cm Washbasin 6.2kg  
 38cm Washbasin 4.1kg

### Finishes

Available in White (01)

### Standards

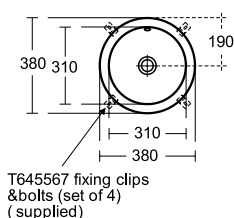
Washbasin to BS EN 14688 & BS EN 31

### Options

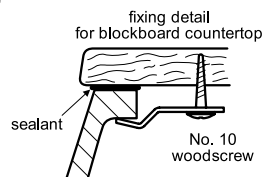
**S2688** Cherwell 21 48cm round under-countertop washbasin with overflow  
**A4851** Sensorflow 21 compact washbasin mounted spout integral sensor servicing valve and filter, copper tube inlets, battery  
**A4853** Sensorflow 21 compact washbasin mounted spout integral sensor servicing valve and filter, copper tube inlets, link

### Special notes

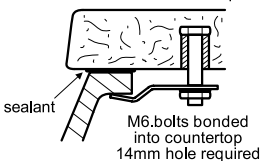
This washbasin is not suitable for separate pillar taps. Washbasin mounted on underside of countertop using fixing clips supplied. Joint sealed using waterproof sealant (not supplied). Consideration should be given to safe hot water delivery and the use of an appropriate temperature reduction device see A5900 or Part G for guidance.



Using T645567 fixing clips



fixing detail for marble countertop



# Contour 21

## 42 under-countertop

Rectangular under-countertop washbasin with overflow. Part of the extensive commercial Contour 21 range.

November 2017	
Uniclass PR_40_20	CAWS N13
C/SFB	(74)

ARMITAGE SHANKS

Domestic and commercial use  
Part of an extensive suite

### Illustrated

**S2689** Contour 21 42cm rectangular under-countertop washbasin with overflow  
**A4852** Sensorflow 21 compact washbasin mounted spout integral sensor servicing valve and filter, copper tube inlets, mains  
**S8722** Waste 1¼" brass strainer waste, 80mm slotted tail  
**S8920** Trap 1¼" plastic resealing bottle, 75mm seal

### Material

Fine Fireclay

### Weight

42cm Washbasin 5.1kg

### Finishes

Available in White (01)

### Standards

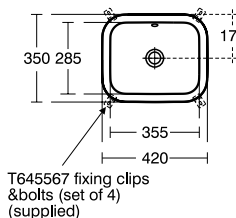
Washbasin to BS EN 14688 & BS EN 31

### Options

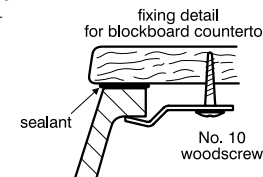
**A4851** Sensorflow 21 compact washbasin mounted spout integral sensor servicing valve and filter, copper tube inlets, battery  
**A4853** Sensorflow 21 compact washbasin mounted spout integral sensor servicing valve and filter, copper tube inlets, link

### Special notes

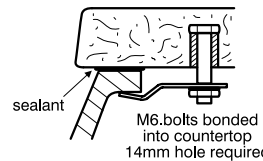
This washbasin is not suitable for separate pillar taps. Washbasin mounted on underside of countertop using fixing clips supplied. Joint sealed using waterproof sealant (not supplied). Consideration should be given to safe hot water delivery and the use of an appropriate temperature reduction device see A5900 or Part G for guidance.



Using T645567 fixing clips



fixing detail for marble countertop



# Contour 21

## 50 under-countertop

50cm under-countertop washbasin with overflow and unglazed rim.  
Part of the extensive commercial Contour 21 range.

November 2017	
Uniclass PR_40_20	CAWS N13
C/SFB	(74)

ARMITAGE SHANKS

Domestic and commercial use  
Part of an extensive suite

### Illustrated

**S2496** Contour 21 50cm under-countertop washbasin with overflow, unglazed rim  
**A4852** Sensorflow 21 compact washbasin mounted spout integral sensor servicing valve and filter, copper tube inlets, mains  
**S8722** Waste 1¼" brass strainer waste, 80mm slotted tail  
**S8920** Trap 1¼" plastic resealing bottle, 75mm seal

### Material

Fine Fireclay

### Weight

50cm Washbasin 8.6kg

### Finishes

Available in White (01)

### Standards

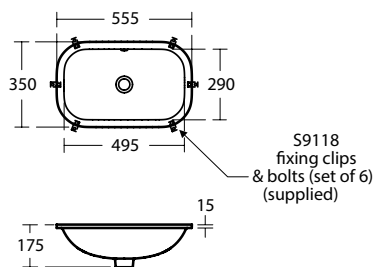
Washbasin to BS EN 14688 & BS EN 31

### Options

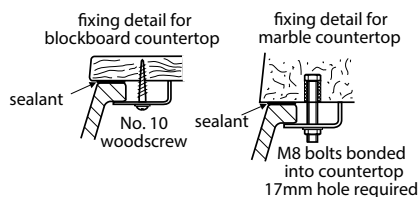
**A4851** Sensorflow 21 compact washbasin mounted spout integral sensor servicing valve and filter, copper tube inlets, battery  
**A4853** Sensorflow 21 compact washbasin mounted spout integral sensor servicing valve and filter, copper tube inlets, link

### Special notes

This washbasin is not suitable for separate pillar taps. Washbasin mounted on underside of countertop using fixing clips supplied. Joint sealed using waterproof sealant (not supplied). Consideration should be given to safe hot water delivery and the use of an appropriate temperature reduction device see A5900 or Part G for guidance.



Using S9118 fixing clips



# Contour 21 Rectangular

## 55 under-countertop

Rectangular under-counter washbasin with overflow and soap dispenser options.

November 2017	
Uniclass PR_40_20	CAWS N13
C/SFB	(74)

ARMITAGE SHANKS

Domestic and commercial use  
Part of an extensive suite  
Tap deck for 1 taphole mixer  
Handed soap dispenser hole options

### Illustrated

**S2695** Contour 21 55cm rectangular under-countertop washbasin with tap deck, 1 taphole & overflow  
**A4852** Sensorflow 21 compact washbasin mounted spout integral sensor servicing valve and filter, copper tube inlets, mains  
**S8722** Waste 1¼" brass strainer waste, 80mm slotted tail  
**S8920** Trap 1¼" plastic resealing bottle, 75mm seal

### Material

Fine Fireclay

### Weight

55cm Washbasin 8.5kg

### Finishes

Available in White (01)

### Standards

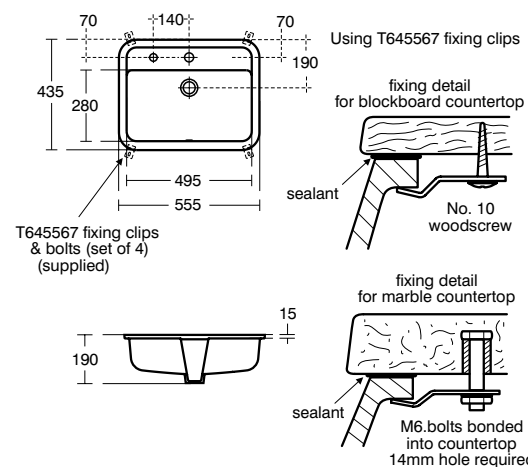
Washbasin to BS EN 14688 & BS EN 31

### Options

**S2696** Contour 21 55cm rectangular under-countertop washbasin with tap deck, 1 taphole with overflow and left hand soap dispenser  
**S2697** Contour 21 55cm rectangular under-countertop washbasin one taphole with overflow and right hand soap dispenser  
**A4851** Sensorflow 21 compact washbasin mounted spout integral sensor servicing valve and filter, copper tube inlets, battery  
**A4853** Sensorflow 21 compact washbasin mounted spout integral sensor servicing valve and filter, copper tube inlets, link

### Special notes

Washbasin mounted on underside of countertop using fixing clips supplied. Joint sealed using waterproof sealant (not supplied). Consideration should be given to safe hot water delivery and the use of an appropriate temperature reduction device see A5900 or Part G for guidance.



# Marlow 21

## 55 - 48 under-countertop

Oval under-countertop washbasin with overflow.

November 2017	
Uniclass PR_40_20	CAWS N13
C/S/F/B	(74)

### ARMITAGE SHANKS

Domestic and commercial use

Modern oval design

#### Illustrated

**S2684** Marlow 21 48cm under-countertop washbasin with overflow

**A4852** Sensorflow 21 compact washbasin mounted spout integral sensor servicing valve and filter, copper tube inlets, mains

**S8722** Waste 1¼" brass strainer waste, 80mm slotted tail

**S8920** Trap 1¼" plastic resealing bottle, 75mm seal

#### Material

Fine Fireclay

#### Weight

55cm Washbasin 6.7kg

48cm Washbasin 5.9kg

#### Finishes

Available in White (01)

#### Standards

Washbasin to BS EN 14688 & BS EN 31

#### Options

**S2685** Marlow 21 55cm under-countertop washbasin with overflow

**S2692** Marlow 21 48cm under-countertop washbasin with overflow, glazed underside

**A4851** Sensorflow 21 compact washbasin mounted spout integral sensor servicing valve and filter, copper tube inlets, battery

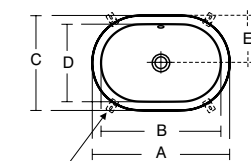
**A4853** Sensorflow 21 compact washbasin mounted spout integral sensor servicing valve and filter, copper tube inlets, link

#### Special notes

This washbasin is not suitable for separate pillar taps. Washbasin mounted on underside of countertop using fixing clips supplied. Joint sealed using waterproof sealant (not supplied). Consideration should be given to safe hot water delivery and the use of an appropriate temperature reduction device see A5900 or Part G for guidance.



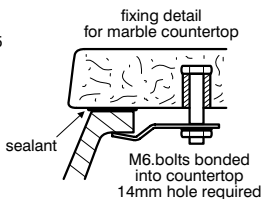
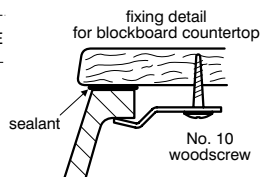
Using T645567 fixing clips



T645567 fixing clips & bolts (set of 4) (supplied)



	A	B	C	D	E
<b>48cm</b>	480	415	360	285	175
<b>55cm</b>	550	480	380	310	190



November 2017	
Uniclass PR_40_20	CAWS N13
C/S/F/B	(74)

# Washbasins

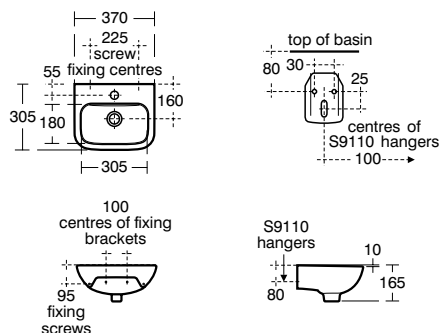
## Handrinse



# Contour 21

## 37 handrinse

Short projection wall mounted handrinse washbasin. Suitable for public areas and special care applications.



November 2017	
Uniclass PR_40_20	CAWS N13
C/SFB	(74)

ARMITAGE SHANKS

Commercial and healthcare use

Short projection

Appropriate for Doc M

3 different taphole options

Compact 37cm

### Illustrated

**S2122** Contour 21 37cm handrinse washbasin, 1 taphole, no overflow, no chainstay hole

**A6697** Contour 21+ 1 hole thermostatic basin mixer, single sequential lever with copper tails

**S8720** Waste 1¼" brass strainer waste, 80mm unslotted tail

**S8900** Trap 1¼" metal bottle, 75mm seal, outlet screwed 1¼" BSP male with compression nut and ring

**S9110** Hangers concealed, Steel

### Material

Vitreous China

### Weight

37cm Washbasin 8.2kg

### Finishes

Available in White (01)

### Standards

Vitreous china to BS 3402. Washbasin to BS EN 14688 & BS EN 31

### Options

**S2473** Contour 21 37cm handrinse washbasin left hand taphole no overflow or chainstay hole, bottom outlet

**S2474** Contour 21 37cm handrinse washbasin right hand taphole no overflow or chainstay hole, bottom outlet

### Special notes

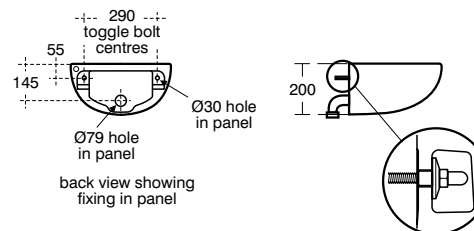
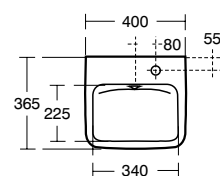
Recommended fixing heights (floor to front rim); Nursery use 600mm Infant use 700mm Junior use 750mm Senior/adult use 780-800mm. Washbasin wall mounted using S9110 wall hangers and screwed to the wall using 2 screws (not supplied)



# Contour 21+

## 40 back outlet handrinse

Contour 21+ washbasins are specially designed for use with ducted services and have the advantage of a new back outlet compact waste system with an anti-microbial treatment. The basins incorporate a hydrophilic glaze with anti-microbial qualities and a new easy fixation system.



November 2017	
Uniclass PR_40_20	CAWS N13
C/SFB	(74)

ARMITAGE SHANKS

Commercial, hospital and healthcare use

50cm option available

Designed for ducted panel services

Concealed back outlet

Hydrophilic glaze with anti-microbial properties

New easy fixation

Left, right and no taphole options

Space saving

### Illustrated

**S0435** Contour 21+ 40cm back outlet washbasin, one right hand taphole, no overflow with anti-microbial glaze

**A6696** Markwik 21+ 1 hole thermostatic basin mixer, single sequential lever, demountable with copper tails

**A6791** Markwik 21+ basin mixer fixing kit for use with Contour 21+ closed basin

**S0388** Contour 21+ basin fixation set

**S0387** Contour 21+ waste pack with SmartGuard for tap deck basin

### Material

Vitreous China

### Weight

40cm Washbasin 12.5kg  
Basin Mixer 2.5kg

### Finishes

White with SmartGuard (HY)

### Standards

Vitreous china to BS 3402.  
Washbasin to BS EN 14688 and BS EN 31

### Options

**S0433** Contour 21+ 40cm back outlet washbasin, one left hand taphole, no overflow with anti-microbial glaze

**S0679** Contour 21+ 40cm back outlet washbasin, no tapholes, no overflow, with anti-microbial glaze.

### Special notes

Suggested rim heights; 780-800 for ambulant users, 680-700 for wheelchair users. Washbasin panel mounted using the S0388 Contour 21+ wall fixation set.



# Contour 21 Splash

## 40 schools handrinse

Specially designed basins for schools combine fun shapes with practical ergonomic designs for easy cleaning.

November 2017	
Uniclass PR_40_20	CAWS N13
C/S/F/B	(74)

ARMITAGE SHANKS

Key stages 1 & 2

Fun shaped design

1 or 2 tap hole options

Pedestal option

### Illustrated

**S2635** Contour 21 Splash 40cm Schools basin with overflow - one taphole

**B8263** Avon 21 washbasin mixer 1 hole, self closing push button, variable temperature control with 15mm female connector flexible hoses on inlets

**S8722** Waste 1¼" brass strainer waste, 80mm slotted tail

**S8920** Trap 1¼" plastic resealing bottle, 75mm seal, multi-purpose outlet

**E0157** Wall fixing set

### Material

Vitreous China

### Weight

40cm Washbasin 7.7kg

### Finishes

Available in White (01)

### Standards

Vitreous china to BS 3402

### Options

**S2636** Contour 21 Splash 40cm Schools basin with overflow - two tapholes

**B8262** Piccolo 21 inclined ½" washbasin pillar taps, lever operated, dual hot and cold indices, anti-vandal water saving nozzle

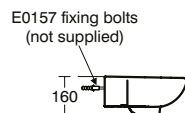
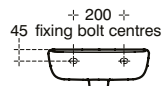
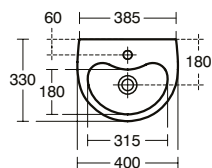
**S8900** Trap 1¼" metal bottle, 75mm seal, outlet screwed 1¼" BSP male with compression nut and ring

**S8733** Waste 1¼" brass anti theft swivel plug waste, 80mm slotted tail

**S8800** Waste 1¼" plastic waste with bead chain and plug, 80mm slotted tail, bolt stay

### Special notes

Recommended fixing heights (floor to front rim); Nursery use 600mm Infant use 700mm Junior use 750mm Senior/adult use 780-800mm. Washbasin wall mounted using E015767 wall fixing set or panel mounted using E006267 fixing set



# Sandringham 21

## 35 handrinse

Sandringham 21 handrinse washbasins in vitreous china, 45cm and corner handrinse washbasins also available.

November 2017	
Uniclass PR_40_20	CAWS N13
C/S/F/B	(74)

ARMITAGE SHANKS

Domestic and commercial use

Space saving design

Left or right hand

taphole options

Hygienic no overflow version

### Illustrated

**E8930** Sandringham 21 35cm handrinse washbasin, 2 taphole, with overflow and chainstay hole

**B9865** Sandringham 21 basin pillar taps

**S8800** Waste 1¼" plastic waste with bead chain and plug, 80mm slotted tail, bolt stay

**S8900** Trap 1¼" metal bottle, 75mm seal, outlet screwed 1¼" BSP male with compression nut and ring

**E5010** Pair Steel wall hangers

### Material

Vitreous China

### Weight

35cm Washbasin 6.0kg

### Finishes

Available in White (01)

### Standards

Vitreous china to BS 3402. Washbasin to BS EN 14688 & BS EN 31

### Options

**E8928** Sandringham 21 35cm handrinse washbasin, right hand taphole, with overflow no chainstay hole

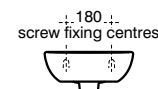
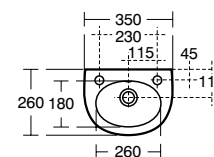
**E8929** Sandringham 21 35cm handrinse washbasin, left hand taphole, with overflow no chainstay hole

**S8150** Sandringham 21 35cm handrinse washbasin, 2 taphole, no overflow no chainstay hole

**E0157** Wall fixing set

### Special notes

Washbasin wall mounted using E5010 wall hangers and screwed to wall using 3 screws (not supplied) or E0157 wall fixing set and screwed to wall using 2 screws (not supplied)

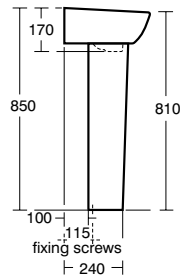
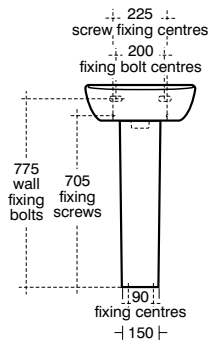
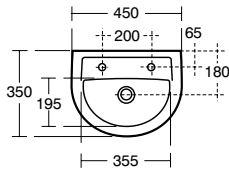


## Washbasins

# Sandringham 21

## 45 handrinse

Sandringham 21 handrinse washbasins in vitreous china, 35cm and corner handrinse washbasins also available.



Domestic and commercial use  
Space saving design  
Wall fixing or pedestal

### Illustrated

**E8936** Sandringham 21 45cm handrinse washbasin, 2 tapholes, with overflow and chainstay hole

**E8976** Sandringham 21 pedestal

**B9865** Sandringham 21 Washbasin Pillar Taps

**S8800** Waste 1¼" plastic waste with bead chain and plug, 80mm slotted tail, bolt stay

**S8950** Trap 1¼" plastic P for use with handrinse pedestal

### Material

Vitreous China

### Weight

45cm Washbasin 10.0kg

Pedestal 10.3kg

### Finishes

Available in White (01)

### Standards

Vitreous china to BS 3402. Washbasin to BS EN 14688 & BS EN 31

### Options

**E8935** Sandringham 21 45cm handrinse washbasin, 1 taphole, with overflow no chainstay hole

**E0157** Wall fixing set

### Special notes

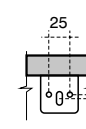
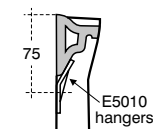
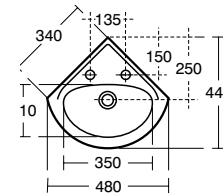
Washbasin wall mounted using E0157 wall fixing set or full pedestal mounted using 2 screws through the back of the basin (not supplied)

## Washbasins

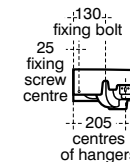
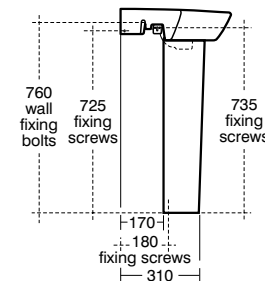
# Sandringham 21

## 48 corner handrinse

Sandringham 21 handrinse washbasins in vitreous china, available in 2 sizes and corner version.



Part section through basin on E5010 hangers



Domestic and commercial use  
Corner Design  
Wall fixing or pedestal  
Space saving design

### Illustrated

**E8942** Sandringham 21 48cm corner handrinse basin, 2 tapholes with overflow and chainstay hole

**E8976** Sandringham 21 pedestal

**B9865** Sandringham 21 washbasin pillar taps

**S8800** Waste 1¼" plastic waste with bead chain and plug, 80mm slotted tail, bolt stay

**S8950** Trap 1¼" plastic P for use with handrinse pedestal

### Material

Vitreous China

### Weight

48cm Washbasin 9.0kg

Sandringham 21 Pedestal 10.3kg

### Finishes

Available in White (01)

### Standards

Vitreous china to BS 3402. Washbasin to BS EN 14688 & BS EN 31

### Options

**E8941** Sandringham 21 48cm corner washbasin, 1 taphole with overflow

**E5010** Pair Steel wall hangers

**E0157** Wall fixing set

### Special notes

Washbasin wall mounted using E5010 wall hangers and screwed to wall using screw (not supplied) or E0157 wall fixing set or full pedestal mounted using screw through back of basin (not supplied)

November 2017	
Uniclass PR_40_20	CAWS N13
CI/SFB	(74)

November 2017	
Uniclass PR_40_20	CAWS N13
CI/SFB	(74)

# Washbasins

## Fittings

# Bottle Traps

Standard and resealing bottle traps for washbasins.

November 2017	
Uniclass PR_40_20	CAWS N13
C/S/F/B	(74)

IDEAL STANDARD

Domestic or commercial use

Chrome plated

Bottle traps

### Illustrated

**E0079** Trap 1¼" Contemporary metal bottle  
**S8900** Trap 1¼" metal bottle, 75mm seal, outlet  
 screwed 1¼" BSP male with compression nut  
 and ring

### Material

Chrome Plated Metal

### Weight

1.45kg

### Finishes

Available in Chrome

### Options

**S8910** Trap 1¼" plastic bottle, 75mm seal  
**S8920** Trap 1¼" plastic resealing bottle,  
 75mm seal  
**E3198** Trap 1¼" metal bottle, 75mm seal



ARMITAGE SHANKS

Domestic and commercial use

Water saving

Flow limiters

### Illustrated

**S8011** Flow regulator, washbasin inlet, 6 litres per  
 minute, pair

### Material

Plastic

### Weight

0.10kg

### Finishes

Unfinished

### Options

**L6935** Flow regulator, washbasin inlet, 4 litres per  
 minute, pair

### Special notes

6 litres per minute @ 3 bar pressure



# Strainer Wastes

Slotted and unslotted strainer wastes for washbasins.

November 2017	
Uniclass PR_40_20	CAWS N13
C/S/F/B	(74)

ARMITAGE SHANKS

Wastes for washbasins

Chrome plated

### Illustrated

**S8720** Waste 1¼" brass strainer waste, 80mm  
 unslotted tail

### Material

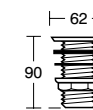
Chrome Plated Metal

### Weight

0.23kg

### Options

**S8722** Waste 1¼" brass strainer waste, 80mm  
 slotted tail  
**S8811** Waste 1¼" plastic strainer, 50mm  
 unslotted tail  
**S8810** Waste 1¼" plastic strainer, dished pattern  
 80mm unslotted tail  
**S8730** Waste 1¼" brass strainer waste with lift  
 out grid



ARMITAGE SHANKS

Wastes for washbasins

Chrome plated

### Illustrated

**E6760** Waste 1¼" brass waste with chain and  
 plug, 80mm slotted tail, bolt stay

### Material

Chrome Plated Metal

### Weight

0.28kg

### Finishes

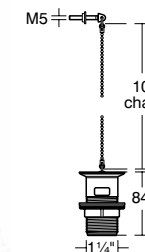
Chrome (AA)

### Options

**S8715** Waste 1¼" waste with bead chain & plug  
 80mm unslotted tail, screw stay  
**S8734** Waste 1¼" brass swivel plug waste,  
 80mm unslotted tail  
**S8800** Waste 1¼" plastic waste with bead chain  
 and plug, 80mm slotted tail, bolt stay

# Chain Wastes

Slotted and unslotted chain wastes for washbasins.



# Basin Flow Regulators

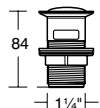
Water saving flow limiters.



## Washbasins

# Swivel Wastes

Slotted and unslotted swivel wastes for washbasins.



November 2017	
Uniclass PR_40_20	CAWS N13
C/S/F/B	(74)

ARMITAGE SHANKS

### Wastes for washbasins

#### Chrome plated

##### Illustrated

**S8733** Waste 1 1/4" brass anti theft swivel plug waste, 80mm slotted tail

##### Material

Chrome Plated Metal

##### Weight

0.35kg

##### Finishes

Chrome (AA)

##### Options

**S8734** Waste 1 1/4" brass swivel plug waste, 80mm unslotted tail



IDEAL STANDARD

### Wastes for washbasins

#### Chrome plated

##### Illustrated

**S8803** Waste 1 1/4" Click plug waste, 80mm slotted tail

##### Material

Chrome Plated Metal

##### Weight

0.45kg

##### Finishes

Chrome (AA)

##### Options

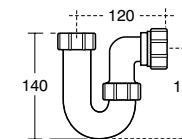
**S8808** Waste 1 1/4" Click waste for washbasin unslotted with plug



## Washbasins

# P Trap

1 1/4" plastic P trap for use with cloakroom pedestal



November 2017	
Uniclass PR_40_20	CAWS N13
C/S/F/B	(74)

ARMITAGE SHANKS

### Traps for cloakroom washbasins

#### Plastic P Trap

##### Illustrated

**S8950** Trap 1 1/4" plastic P for use with cloakroom pedestal

##### Material

Plastic

##### Weight

1.00kg

##### Finishes

Neutral / No Finish

##### Special notes

It is recommended this trap is used when fitting a cloakroom pedestal to ensure adequate access



# Click Wastes

Slotted and unslotted click wastes for washbasins.



# Brackets and Supports

For supporting wall mounted washbasins.



ARMITAGE SHANKS

### Concealed hangers

#### Adjustable centre bracket

##### Illustrated

**S9110** Hangers concealed, Steel

##### Material

Steel

##### Weight

0.24kg

##### Finishes

Neutral / No Finish

##### Special notes

A pop up waste cannot be fitted when using S9145 centre bracket



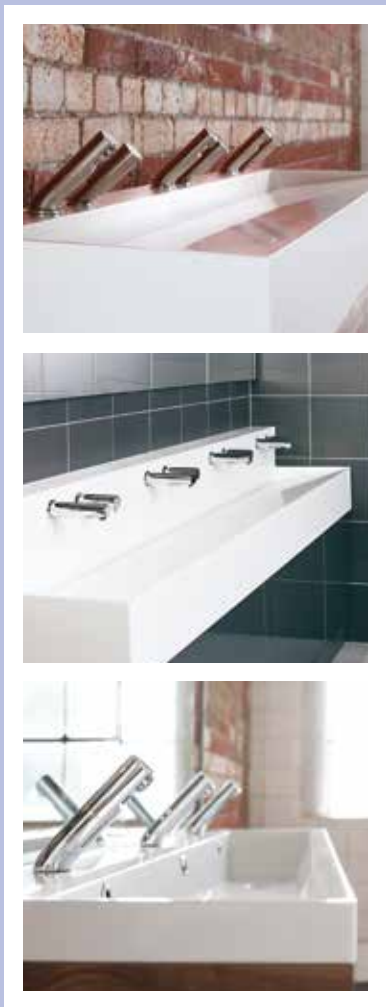
Uniclass PR_40_20	CAWS N13
CI/SFB	(74)



# Wash Troughs

Solid Surface 4:1:1

Stainless Steel 4:2:1



Wash Troughs

## Icon key

-  Residential
-  Public Places
-  Water Savings
-  Hospitals & Healthcare
-  Disabled Access
-  Doc M Compliant
-  Education
-  Spacesaving
-  Hotels
-  Anti-vandal

November 2017	
Uniclass PR_40_20	CAWS N13
CI/SFB	(74)

November 2017	
Uniclass PR_40_20	CAWS N13
CI/SFB	(74)

# Wash Troughs

## Solid Surface

Wash Troughs  
Solid Surface

## Wash Troughs

# Broadway

120 - 180 - 240

Broadway washing troughs suitable for commercial use in service stations, offices and education or wherever multiple washing facilities are required. Supplied without tap holes but with drilling points shown on the underside.

November 2017	
Uniclass PR_40_20	CAWS N13
C/S/F/B	(74)

ARMITAGE SHANKS

Commercial, schools and anti vandal use

2, 3 or 4 position troughs

Vanity unit mounting

### Illustrated

**S2099** Broadway washing trough 180cm long, undrilled for panel mounted taps or may be drilled at the pre-marked drilling points, complete with Chrome plated wastes

**A4849** Sensorflow 21 compact tubular panel mounted 230mm projection spout, anti splash or anti vandal laminar flow outlet, integral sensor, copper tube inlets, mains

**S8925** Trap 1¼" plastic resealing bottle with 75mm seal, multi-purpose outlet

### Material

Solid surface

### Weight

180cm Trough 37.0kg

120cm Trough 25.0kg

240cm Trough 50.0kg

### Finishes

Available in White (01)

### Options

**S2098** Broadway washing trough 120cm long, undrilled for panel mounted taps or may be drilled at the pre-marked drilling points, complete with Chrome plated wastes

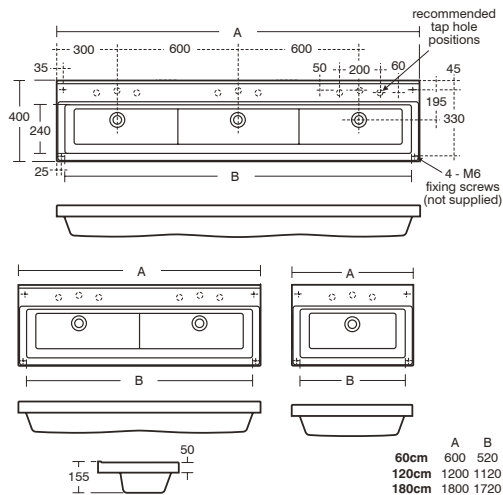
**S2105** Broadway washing trough 240cm long, undrilled for panel mounted taps or may be drilled at the pre-marked drilling points, complete with Chrome plated wastes

**A4850** Sensorflow 21 compact tubular panel mounted 230mm projection spout, anti splash or anti vandal laminar flow outlet, integral sensor, copper tube inlets, link

**A4848** Sensorflow 21 compact tubular panel mounted 230mm projection spout, anti splash or anti vandal laminar flow outlet, integral sensor, copper tube inlets, battery

### Special notes

Washing trough fits to framing or cabinet using M6 screws (not supplied)



## Wash Troughs

# Silhouette

120 - 180 - 240 - 300

A range of Solid Surface wash troughs designed for offices, education and large washrooms. Ideal for wherever multiple washing facilities are required. The range comes in pre specified lengths or it is possible to specify your required length to ensure you achieve a fully fitted streamline look.

November 2017	
Uniclass PR_40_20	CAWS N13
C/S/F/B	(74)

ARMITAGE SHANKS

Commercial, offices and school washrooms

4 sizes 120/180/240/300cm

Durable and repairable

Fire retardant

2, 3, 4 or 5 person troughs

Wall or vanity mounting

Hygienic non porous



### Illustrated

**S0627** Silhouette 2400mm 4 person wash trough with waste

**A4852** Sensorflow 21 compact washbasin mounted spout integral sensor servicing valve and filter, copper tube inlets, mains

**A9210** Contour 21 angled deck mounted soap dispenser, requires separate soap bottle

**A9243** Flange for Sensorflow 21 fittings A4851 / A4852 / A4853 to match angled soap dispenser

**A9241** Contour 21 soap bottle remote 4 feed for use with all Contour 21 soap dispensers

### Material

Solid Surface

### Weight

1200mm wash trough - 35.0kg

1800mm wash trough - 50.0kg

2400mm wash trough - 65.0kg

3000mm wash trough - 80.0kg

### Finishes

Available in White (01)

### Standards

EN 695 BS EN 14296

### Options

**A4853** Sensorflow 21 compact washbasin mounted spout integral sensor servicing valve and filter, copper tube inlets, link

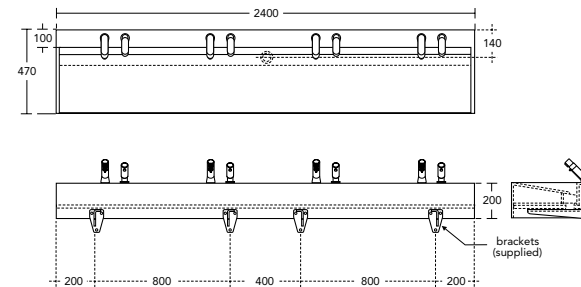
**S0625** Silhouette 1200mm 2 person wash trough with waste

**S0626** Silhouette 1800mm 3 person wash trough with waste

**S0628** Silhouette 3000mm 5 person wash trough with waste

### Special notes

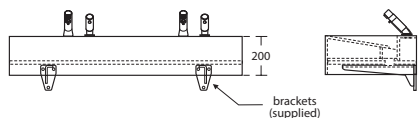
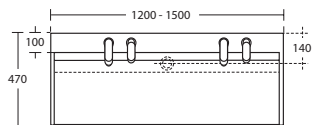
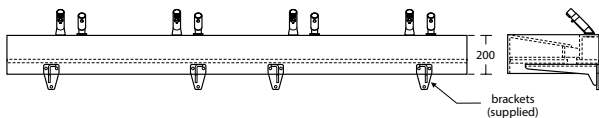
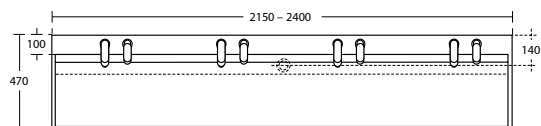
1 Mains spout A4852, 3 link spouts (A4853), 4 soap dispensers A9210 and flanges A9243 to be configured. Clean using a damp cloth or sponge. Wipe dry with a soft cloth to prevent spotting.



# Silhouette

120 - 300 bespoke sizes

A range of Solid Surface wash troughs designed for offices, education and large washrooms. Ideal for wherever multiple washing facilities are required. These can be manufactured to your size requirements.



November 2017	
Uniclass PR_40_20	CAWS N13
C/S/FB	(74)

## ARMITAGE SHANKS

Commercial, offices and school washrooms

Durable and repairable

Wall or vanity mounting

Fire retardant

Bespoke size between 120 to 300cm

2, 3, 4 or 5 person troughs

Hygienic non porous

### Illustrated

**S0632** Silhouette 2101-2400mm configurable wash trough with waste

**B8263** Avon 21 washbasin mixer 1 hole, self closing push button, variable temperature control with 15mm female connector flexible hoses on inlets

**A9208** Contour 21 upright deck mounted soap dispenser, requires separate soap bottle

**A9241** Contour 21 soap bottle remote 4 feed for use with all Contour 21 soap dispensers

### Material

Solid Surface

### Finishes

Available in White (01)

### Standards

EN 695 BS EN 14296

### Options

**S0629** Silhouette 1200-1500mm configurable wash trough with waste

November 2017	
Uniclass PR_40_20	CAWS N13
C/S/FB	(74)

### Options continued

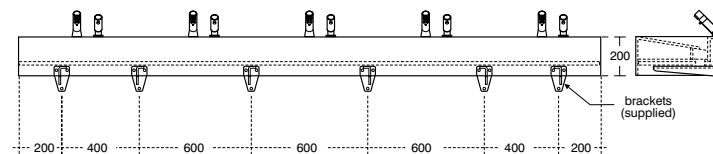
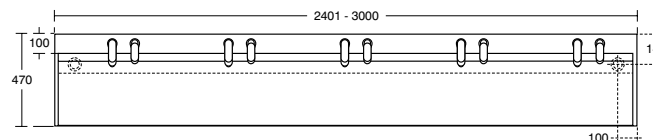
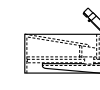
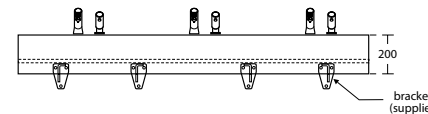
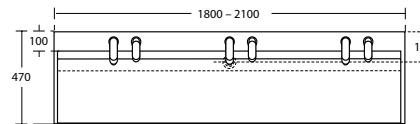
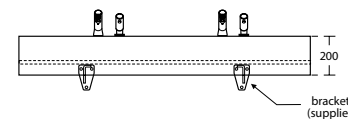
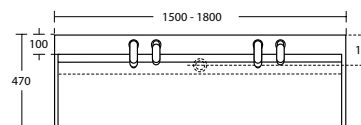
**S0630** Silhouette 1501-1800mm configurable wash trough with waste

**S0631** Silhouette 1801-2100mm configurable wash trough with waste

**S0660** Silhouette 2401-3000mm configurable wash trough with waste

### Special notes

4 soap dispensers A9208 to be configured. Clean using a damp cloth or sponge. Wipe dry with a soft cloth to prevent spotting.



# Silhouette

120 - 180 - 240 - 300 with upstand

A range of Solid Surface wash troughs designed for offices, education and large washrooms. Ideal for wherever multiple washing facilities are required. The range comes in pre specified lengths or it is possible to specify your required length to ensure you achieve a fully fitted streamline look.



November 2017	
Uniclass PR_40_20	CAWS N13
C/SFB	(74)

## ARMITAGE SHANKS

Commercial, offices and school washrooms

Durable and repairable

Wall or vanity mounting

Fire retardant

Sizes in 120/180/240/300cm

2, 3, 4 or 5 person troughs

Hygienic non porous

### Illustrated

- S0635** Silhouette 2400mm 4 person wash trough with upstand & waste
- A4846** Sensorflow 21 compact tubular panel mounted 150mm projection spout, mains
- A9209** Contour 21 panel mounted soap dispenser, requires separate soap bottle
- A9241** Contour 21 soap bottle remote 4 feed for use with all Contour 21 soap dispensers

### Material

Solid Surface

### Weight

- 1200mm wash trough - 41.0kg
- 1800mm wash trough - 58.5kg
- 2400mm wash trough - 78.5kg
- 3000mm wash trough - 93.0kg

### Finishes

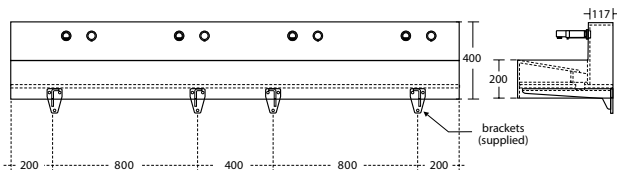
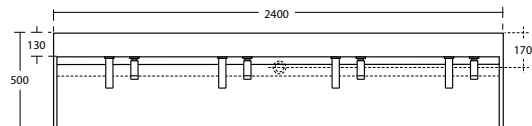
Available in White (01)

### Standards

EN 695 BS EN 14296

### Options

- A4847** Sensorflow 21 compact tubular panel mounted 150mm projection spout, anti splash or anti vandal laminar flow outlet, integral sensor, copper tube inlets, link



4 : 1 : 6

Tel 0870 122 8822 Fax 0870 122 8282

Email [info@thebluebook.co.uk](mailto:info@thebluebook.co.uk)

Online search, specify & CAD: [www.thebluebook.co.uk](http://www.thebluebook.co.uk)

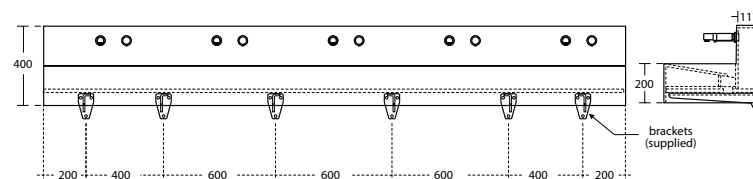
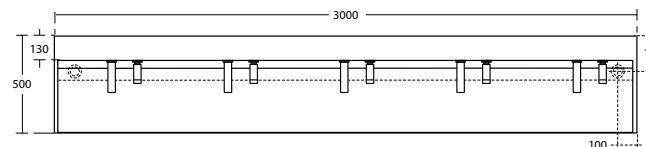
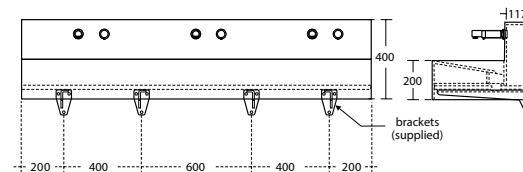
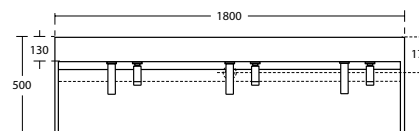
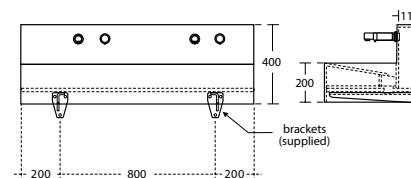
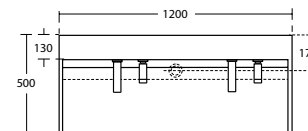
November 2017	
Uniclass PR_40_20	CAWS N13
C/SFB	(74)

### Options continued

- S0633** Silhouette 1200mm 2 person wash trough with upstand & waste
- S0634** Silhouette 1800mm 3 person wash trough with upstand & waste
- S0636** Silhouette 3000mm 5 person wash trough with upstand & waste

### Special notes

1 Mains spout A4846, 3 link spout A4847 and 4 soap dispensers A9209 to be configured as illustrated. Clean using a damp cloth or sponge. Wipe dry with a soft cloth to prevent spotting.



4 : 1 : 7

Tel 0870 122 8822 Fax 0870 122 8282

Email [info@thebluebook.co.uk](mailto:info@thebluebook.co.uk)

Online search, specify & CAD: [www.thebluebook.co.uk](http://www.thebluebook.co.uk)

# Silhouette

1200 - 3000 bespoke sizes with upstand

A range of Solid Surface wash troughs designed for offices, education and large washrooms. Ideal for wherever multiple washing facilities are required. These can be manufactured to your size requirements.



November 2017	
Uniclass PR_40_20	CAWS N13
C/S/FB	(74)

## ARMITAGE SHANKS

Commercial, offices and school washrooms

Wall or vanity mounting

2, 3, 4 or 5 person troughs

Fire retardant

Durable and repairable

Bespoke size between 120 and 300cm

Hygienic non porous

### Illustrated

**S0640** Silhouette 2101-2400mm configurable wash trough with upstand & waste

**A4849** Sensorflow 21 compact tubular panel mounted 230mm projection spout, anti splash or anti vandal laminar flow outlet, integral sensor, copper tube inlets, mains

**A9209** Contour 21 panel mounted soap dispenser, requires separate soap bottle

**A9241** Contour 21 soap bottle remote 4 feed for use with all Contour 21 soap dispensers

### Material

Solid surface

### Finishes

Available in White (01)

### Standards

EN 695 BS EN 14296

### Options

**S0637** Silhouette 1200-1500mm configurable wash trough with waste

November 2017	
Uniclass PR_40_20	CAWS N13
C/S/FB	(74)

### Options continued

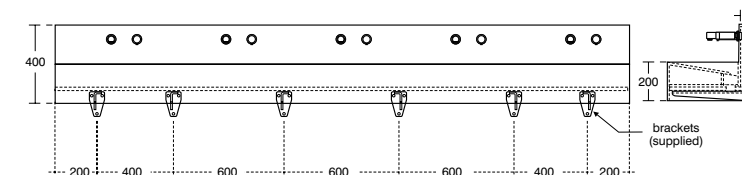
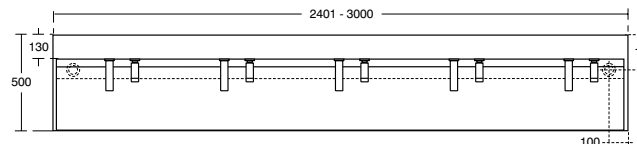
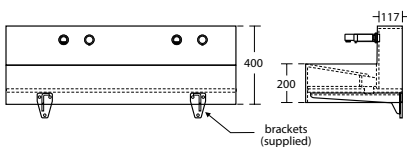
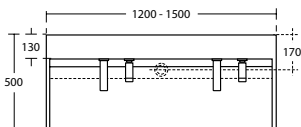
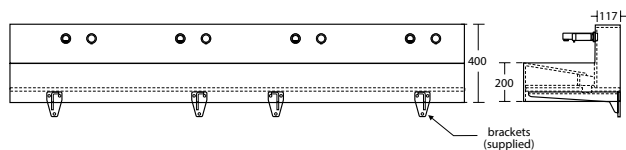
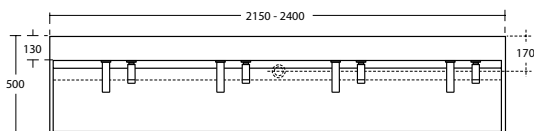
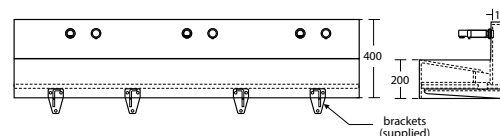
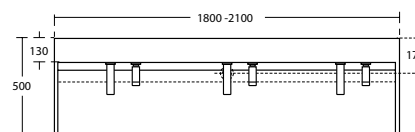
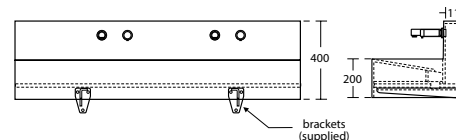
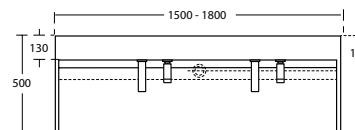
**S0638** Silhouette 1501-1800mm configurable wash trough with upstand & waste

**S0639** Silhouette 1801-2100mm configurable wash trough with upstand & waste

**S0661** Silhouette 2401-3000mm configurable wash trough with upstand & waste

### Special notes

1 Mains spout A4849, 3 link spout A4850, 4 soap dispensers A9209 and 4 brackets S0663 to be configured as illustrated. Clean using a damp cloth or sponge. Wipe dry with a soft cloth to prevent spotting.



November 2017	
Uniclass PR_40_20	CAWS N13
C/SFB	(74)

November 2017	
Uniclass PR_40_20	CAWS N13
C/SFB	(74)

Solid Surface

Wash Troughs

# Wash Troughs

## Stainless Steel

Stainless Steel

Wash Troughs

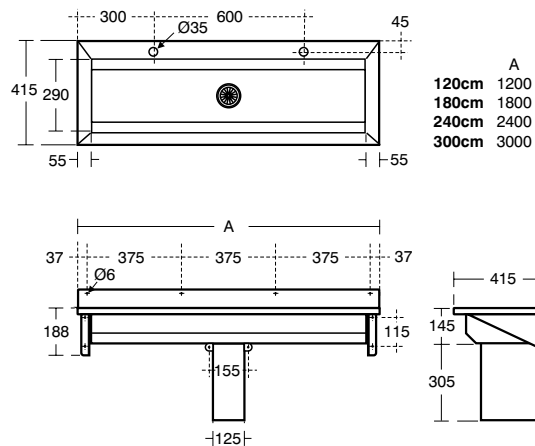


## Wash Troughs

# Calder

120 - 180 - 240

New central outlet commercial washing trough in stainless steel available with upstand. Two washing position 120cm with or without taphole positions, for bib taps. Three position 180cm long and four position 240cm long each with pre-cut mixer taphole positions. Additional wall tap mounting panel details available on request.



November 2017	
Uniclass PR_40_20	CAWS N13
C/SFB	(74)

ARMITAGE SHANKS

Screw to wall  
Four standard lengths  
Stainless steel  
2 position without tapholes

### Illustrated

**S2824** Calder stainless steel washing trough 120cm long 2 taphole positions, central outlet with 2" domed waste  
**B8861** Avon 21 washbasin mixer 1 hole, self closing push button, variable temperature with copper tube inlets  
**A5900** TMV Thermostatic mixing valve 15mm

### Material

Stainless Steel

### Weight

240cm washing trough 20.0kg  
180cm washing trough 15.0kg  
120cm washing trough 10.0kg

### Finishes

Available in Stainless Steel (MY)

### Standards

Stainless steel sheet to BS EN 10088:Part 2:2005

### Options

**S2823** Calder stainless steel washing trough 120cm long for wall mounted bib taps, central outlet with domed 2" waste  
**S2825** Calder stainless steel washing trough 180cm long, 3 taphole positions, central outlet with 2" domed waste  
**S2826** Calder stainless steel washing trough 240cm long, 4 taphole positions, central outlet with 2" domed waste  
**S2827** Calder stainless steel washing trough 180cm long for wall mounted bib taps, central outlet with 2" domed waste  
**S2828** Calder stainless steel washing trough 240cm long for wall mounted bib taps, central outlet with 2" domed screws  
**S0384** Calder stainless steel washing trough 300cm long, 5 taphole positions, central outlet with 2" domed waste

### Special notes

Consideration should be given to safe hot water delivery and the use of an appropriate temperature reduction device see A5900 or Part G for guidance.

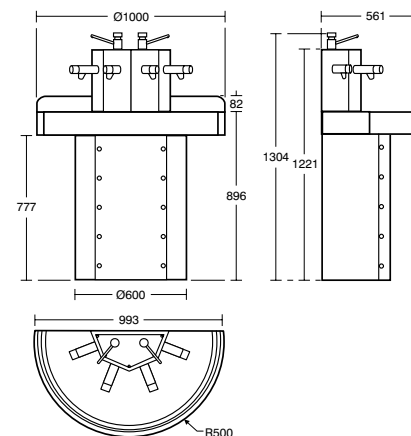


## Wash Troughs

# Contour 21

## 4 person troughs

Wash troughs offer a highly efficient washroom solutions especially in busy areas. There are 3 sizes in the range with all offering durability and easy maintenance.



November 2017	
Uniclass PR_40_20	CAWS N13
C/SFB	(74)

ARMITAGE SHANKS

Complete integral washing solution  
Space optimisation  
Fully accessible through access panels  
Soap dispenser options  
Options for wall fixing or free standing  
Ideal for busy washrooms to increase throughput  
Durable  
Self closing and electronic options available  
Low maintenance

### Illustrated

**S2911** Contour 21 stainless steel semi circular 4 person trough with self closing taps and soap dispensers

### Material

Stainless Steel

### Weight

49.0kg

### Finishes

Stainless Steel finish (MY)

### Options

**S2910** Contour 21 stainless steel semi circular 4 person trough with self closing taps  
**S2912** Contour 21 stainless steel semi circular 4 person trough with automatic taps  
**S2913** Contour 21 stainless steel semi circular 4 person trough with automatic taps and soap dispensers

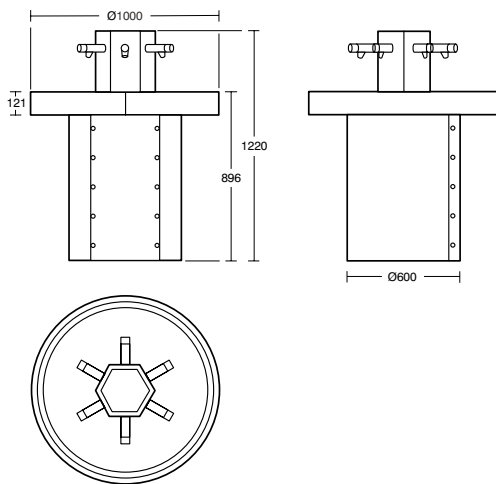


## Wash Troughs

# Contour 21

## 6 person troughs

Wash troughs offer a highly efficient washroom solutions especially in busy areas. There are 3 sizes in the range with all offering durability and easy maintenance.



November 2017	
Uniclass PR_40_20	CAWS N13
C/SFB	(74)

ARMITAGE SHANKS

Complete integral washing solution

Space optimisation

Fully accessible through access panels

Soap dispenser options

Ideal for busy washrooms to increase throughput

Durable

Self closing and electronic options available

Low maintenance

### Illustrated

**S2914** Contour 21 stainless steel circular 6 person trough with self closing taps

### Material

Stainless Steel

### Weight

66.0kg

### Finishes

Available in Stainless Steel (MY)

### Standards

Stainless steel sheet to BS EN 10088:Part 2:2005

### Options

**S2915** Contour 21 stainless steel circular 6 person trough with self closing taps and soap dispensers

**S2916** Contour 21 stainless steel circular 6 person trough with automatic taps

**S2917** Contour 21 stainless steel circular 6 person trough with automatic taps and soap dispensers



4 : 2 : 4

Tel 0870 122 8822 Fax 0870 122 8282

Email [info@thebluebook.co.uk](mailto:info@thebluebook.co.uk)

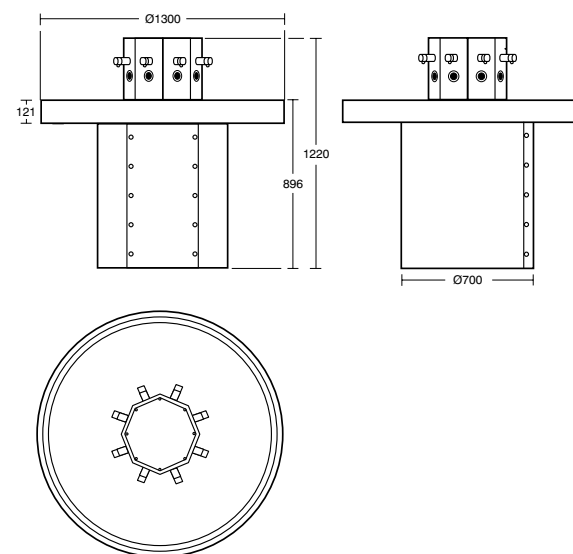
Online search, specify & CAD: [www.thebluebook.co.uk](http://www.thebluebook.co.uk)

## Wash Troughs

# Contour 21

## 8 person troughs

Wash troughs offer a highly efficient washroom solutions especially in busy areas. There are 3 sizes in the range with all offering durability and easy maintenance.



November 2017	
Uniclass PR_40_20	CAWS N13
C/SFB	(74)

ARMITAGE SHANKS

Complete integral washing solution

Space optimisation

Fully accessible through access panels

Soap dispenser options

Ideal for busy washrooms to increase throughput

Durable

Self closing and electronic options available

Low maintenance

### Illustrated

**S2923** Contour 21 stainless steel circular 8 person trough with automatic taps

### Material

Stainless Steel

### Weight

86.0kg

### Finishes

Available in Stainless Steel (MY)

### Options

**S2918** Contour 21 stainless steel circular 8 person trough with self closing taps

**S2919** Contour 21 stainless steel circular 8 person trough with self closing taps and soap dispensers

**S2926** Contour 21 stainless steel circular 8 person trough with automatic taps and soap dispensers



4 : 2 : 5

Tel 0870 122 8822 Fax 0870 122 8282

Email [info@thebluebook.co.uk](mailto:info@thebluebook.co.uk)

Online search, specify & CAD: [www.thebluebook.co.uk](http://www.thebluebook.co.uk)

Uniclass PR_40_20	CAWS N13
C/SFB	(74)

Stainless Steel

Wash Troughs

# Brassware

Contract

5:1:1



## Icon key

-  Residential
-  Public Places
-  Water Savings
-  Hospitals & Healthcare
-  Disabled Access
-  Doc M Compliant
-  Education
-  Spacesaving
-  Hotels
-  Anti-vandal

Uniclass PR_40_20	CAWS N13
CI/SFB	(74)

Uniclass PR_40_20	CAWS N13
CI/SFB	(74)

# Brassware

## Contract

Contract

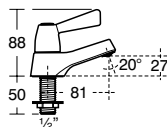
Brassware

Brassware

# Alterna 21

## basin pillar taps

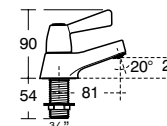
Alterna 21 pillar taps are designed for use in social housing, residential homes, schools, commercial kitchens and any high use washroom.



# Alterna 21

## bath pillar taps

Alterna 21 pillar taps are designed for use in social housing, residential homes, schools, commercial kitchens and any high use washroom.



November 2017	
Uniclass PR_40_20	CAWS N13
C/S/F/B	(74)

## ARMITAGE SHANKS

- Lever handles
- Quarter turn ceramic disc valves
- Brass backnuts
- Easy to use
- Flow straightener for low splash

**Illustrated**

**B1678** Alterna 21 pillar taps 1/2" lever handles pair

**Material**

Chrome Plated Brass

**Weight**

1.2kg

**Finishes**

Chrome (AA)

**Special notes**

Consideration should be given to safe hot water delivery and the use of an appropriate temperature reduction device see A5900 or Part G for guidance. Flow rate 8.3 litres per minute @ 0.1 bar (per tap).

WRAS NO. 1703026



## ARMITAGE SHANKS

- Lever handles
- Quarter turn ceramic disc valves
- Brass backnuts
- Easy to use
- Flow straightener for low splash

**Illustrated**

**B1680** Alterna 21 pillar taps 3/4" lever handles, pair

**Material**

Chrome Plated Brass

**Weight**

1.6kg

**Finishes**

Chrome (AA)

**Special notes**

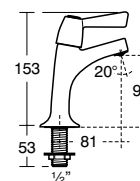
Consideration should be given to safe hot water delivery and the use of an appropriate temperature reduction device see A5901 or Part G for guidance. Flow rate 9 litres per minute @ 0.1 bar (per tap). WRAS NO. 1703026



# Alterna 21

## high neck pillar taps

Alterna 21 pillar taps are designed for use in social housing, residential homes, schools, commercial kitchens and any high use washroom.



November 2017	
Uniclass PR_40_20	CAWS N13
C/S/F/B	(74)

## ARMITAGE SHANKS

- Lever handles
- Quarter turn ceramic disc valves
- Brass backnuts
- Easy to use
- Flow straightener for low splash

**Illustrated**

**B1679** Alterna 21 high neck pillar taps 1/2" lever handles pair

**Material**

Chrome Plated Brass

**Weight**

1.5kg

**Finishes**

Chrome (AA)

**Special notes**

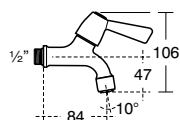
Flow rate 7.5 litres per minute @ 0.1 bar (per tap).  
WRAS NO. 1703026



# Alterna 21

## bib taps

Alterna 21 bib taps are designed for use in social housing, residential homes, schools, commercial kitchens and any high use washroom. Concealed and exposed wall mounts and extensions are available.



November 2017	
Uniclass PR_40_20	CAWS N13
C/SFB	(74)

### ARMITAGE SHANKS

Lever handles  
 Quarter turn ceramic disc valves  
 Self centralising installation  
 Easy to use  
 Inclined body

#### Illustrated

**B1457** Alterna 21 bib taps 1/2" lever handles, anti vandal outlet, pair

**B1686** Bib tap wall mount 1/2" for concealed plumbing, pair

#### Material

Chrome Plated Brass

#### Weight

Bib taps 1.0kg  
 Wall mount 0.8kg

#### Finishes

Chrome (AA)

#### Options

**B1688** Bib tap wall mount 1/2" for exposed plumbing, pair

**B1682** Bib tap extensions 75mm, pair

**B1684** Bib tap extensions 100mm, pair

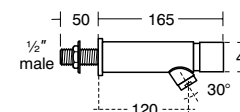
#### Special notes

Easy to operate lever handles. Quarter turn ceramic disc valves for rapid on/off. Self centralising feature simplifies upright installation. Bib taps require either concealed or exposed wall mounts. 75 and 100mm extensions are available. Flow rate 7.5 litres per minute @ 0.1 bar (per tap). WRAS NO. 1703025

# Avon

## self closing bib tap

Self closing all brass bib tap for water economy. Run time delay is adjustable, suitable for high or low pressure systems.



November 2017	
Uniclass PR_40_20	CAWS N13
C/SFB	(74)

### ARMITAGE SHANKS

Self closing  
 Anti vandal  
 Wall mounted  
 Suitable for closed fist operation

#### Illustrated

**S7241** Avon bib tap, non concussive self closing

#### Material

Chrome Plated Metal

#### Weight

2.4kg

#### Finishes

Chrome (AA)

#### Special notes

Inlet screwed 1/2" BSP male, coned for 15mm copper. Consideration should be given to safe hot water delivery and the use of an appropriate temperature reduction device. Regulated to 3.7 litres per minute maximum. Alternative low pressure outlet option supplied. WRAS NO. 1702004

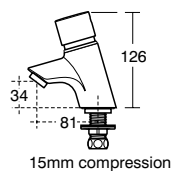




# Avon 21

## self closing pillar taps

Self closing pillar taps avoid wasting water and energy.



November 2017	
Uniclass PR_40_20	CAWS N13
C/SFB	(74)

### ARMITAGE SHANKS

Commercial use  
Water and energy saving

#### Illustrated

**B8267** Avon 21 washbasin inclined pillar taps (pair) with dual hot and cold indices per tap, self closing push button non concussive, water saving anti-vandal nozzle regulated to 3.7 litres per minute maximum. Alternative low pressure outlet option supplied

#### Material

Chrome Plated Metal

#### Weight

2.3kg

#### Finishes

Chrome (AA)

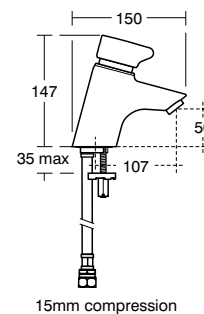
#### Special notes

Inlets screwed 1/2" BSP male. Alternative low pressure outlet option supplied. Consideration should be given to safe hot water delivery and the use of an appropriate temperature reduction device see A5900 or Part G for guidance. Regulated flow rate 3.7 litres per minute. Unregulated flow rate 5 litres per minute at 0.1 bar.

# Avon 21

## self closing mixer

Self closing taps avoid wasting water and energy with maximum 3.7 litres per minute flow. Includes additional water saving anti-vandal outlet nozzle. Adjustable run time.



November 2017	
Uniclass PR_40_20	CAWS N13
C/SFB	(74)

### ARMITAGE SHANKS

Commercial use  
Water and energy saving  
Self closing

#### Illustrated

**B8263** Avon 21 washbasin mixer 1 hole, self closing push button, variable temperature control with 15mm female connector flexible hoses on inlets.

#### Material

Chrome Plated Metal

#### Weight

2.3kg

#### Finishes

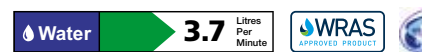
Chrome (AA)

#### Options

**B8861** Avon 21 washbasin mixer 1 hole, self closing push button, variable temperature control with copper tube inlets.

#### Special notes

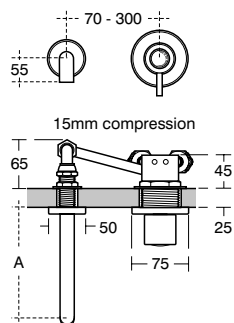
Flow rate with fitted regulator 3.7 litres per minute. Unregulated flow rate 5 litres per minute at 0.1 bar. WRAS NO. 1610047



# Contour 21

## single control mixer

A single lever control wall mounted washbasin mixer. The valve incorporates a ceramic disc cartridge and is suitable for balanced or unbalanced low or high pressure systems. The outlet nozzle is supplied with alternative aerator or flow straightener insert.



November 2017	
Uniclass PR_40_20	CAWS N13
C/SFB	(74)

### ARMITAGE SHANKS

- Commercial application
- Ceramic disc cartridge
- Suitable for closed fist operation
- Single sequential control
- 15cm and 23cm spout options

#### Illustrated

**S7422** Contour 21 washbasin mixer wall mounted single control concealed, ceramic disc operation, 150mm projection spout with alternative aerator or flow straightener outlet, rigid copper inlet tails integral combined filter and regulating valves

#### Material

Chrome Plated Brass

#### Weight

3.0kg

#### Finishes

Chrome (AA)

#### Options

**S7423** Contour 21 washbasin mixer wall mounted single control concealed, quarter turn ceramic disc operation, 230mm projection spout with alternative aerator or flow straightener outlet, flexible inlet tails integral combined filter and regulating valves

#### Special notes

Minimum inlet pressure 0.3 bar - 0.2 bar if flow straightener is used. Maximum inlet pressure 5.0 bar. The mixer will operate on unbalanced supplies within the range above provided the flow is controlled using inlet regulators supplied. The mixer incorporates a single flow body. Inlet tails with 15mm connections for 15mm copper. WRAS NO. 1610054



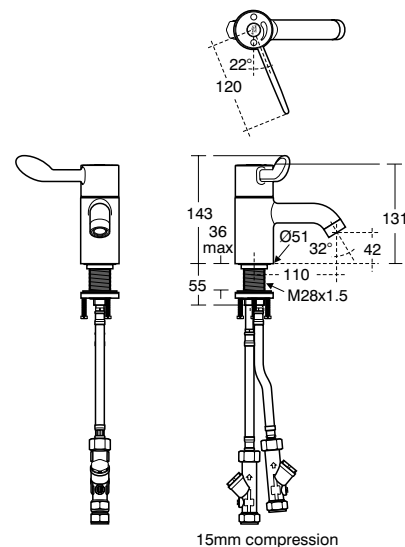
5 : 1 : 8

Tel 0870 122 8822 Fax 0870 122 8282  
Email [info@thebluebook.co.uk](mailto:info@thebluebook.co.uk)  
Online search, specify & CAD: [www.thebluebook.co.uk](http://www.thebluebook.co.uk)

# Contour 21+

## thermostatic sequential basin mixer

Deck mounted thermostatic basin mixer with lever operation for use on one taphole basins. Long lever gives precise control.



November 2017	
Uniclass PR_40_20	CAWS N13
C/SFB	(74)

### ARMITAGE SHANKS

- Commercial and Doc M use
- Anti-vandal laminar flow outlet
- Copper or flexible tails
- Water saving

#### Illustrated

**A6698** Contour 21+ 1 hole thermostatic basin mixer, sequential lever with flexible tails

#### Material

Chrome Plated Brass

#### Weight

2.1kg

#### Finishes

Chrome (AA)

#### Options

**A6697** Contour 21+ 1 hole thermostatic basin mixer, sequential lever with copper tails

#### Special notes

Single sequential lever for on/off operation and temperature control. Supplied with service valves which include isolators, strainers, check valves, flow regulators and 15mm compression connections. Temperature factory set to 40±1°C. Suitable for high and low pressure systems. Factory fitted 3.8 litres per minute flow regulator in an anti-vandal housing. 1.9 litres per minute Eco spray outlet also supplied. Clamping ring with three fixing screws for added security. WRAS NO. 1705011



5 : 1 : 9

Tel 0870 122 8822 Fax 0870 122 8282  
Email [info@thebluebook.co.uk](mailto:info@thebluebook.co.uk)  
Online search, specify & CAD: [www.thebluebook.co.uk](http://www.thebluebook.co.uk)



Armitage  
Shanks



Armitage  
Shanks

# Contour 21+ Outline

## thermostatic sequential basin mixer

Deck mounted thermostatic basin mixer with lever operation for use on one taphole basins. Pin single lever handle has better aesthetics than a long lever handle.



November 2017	
Uniclass PR_40_20	CAWS N13
CUSFB	(74)

ARMITAGE SHANKS

- Commercial use
- Anti-vandal laminar flow outlet
- Water saving

**Illustrated**

**A6790** Contour 21+ Outline 1 hole thermostatic basin mixer with pin handle and flexible tails

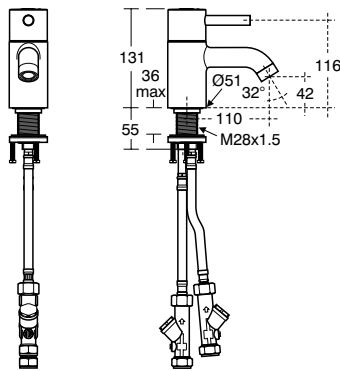
**Material**  
Chrome Plated Brass

**Weight**  
2.1kg

**Finishes**  
Chrome (AA)

**Special notes**

Single sequential lever for on/off operation and temperature control. Supplied with service valves which include isolators, strainers, check valves, flow regulators and 15mm compression connections. Temperature factory set to 40±1°C. Suitable for high and low pressure systems. Factory fitted 3.8 litres per minute flow regulator in an anti-vandal housing. 1.9 litres per minute Eco spray outlet also supplied. Clamping ring with three fixing screws for added security. WRAS NO. 1705011



15mm compression



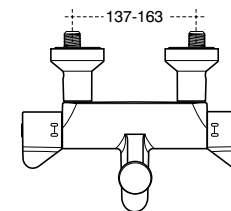
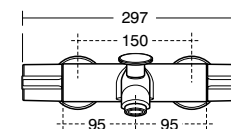
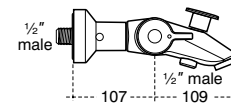
5 : 1 : 10

Tel 0870 122 8822 Fax 0870 122 8282  
Email [info@thebluebook.co.uk](mailto:info@thebluebook.co.uk)  
Online search, specify & CAD: [www.thebluebook.co.uk](http://www.thebluebook.co.uk)

# Contour 21

## thermostatic bath shower mixer

A stylish wall mounted exposed thermostatic fail safe shower with built-in safety stop feature. Small lever operated. Suitable for high pressure systems.



November 2017	
Uniclass PR_40_20	CAWS N13
CUSFB	(74)

ARMITAGE SHANKS

- Domestic and commercial use
- Thermal disinfection facility

**Illustrated**

**A4128** Contour 21 bath shower mixer thermostatic wall mounted

**Material**  
Chrome Plated Metal

**Weight**  
3.8kg

**Finishes**  
Chrome (AA)

**Special notes**

Suitable for Armaglide and Idealrain shower kits. Inlets and outlet 1/2" BSP male. Inlet isolating valves for front of panel servicing. Thermal disinfection.



ARMITAGE SHANKS

- Domestic and commercial use
- Doc M compliant
- Sealed wall escutcheons

**Illustrated**

**A4135** Contour 21 bath filler thermostatic wall mounted single lever sequential

**Material**  
Chrome Plated Metal

**Weight**  
3.0kg

**Finishes**  
Chrome (AA)

**Special notes**

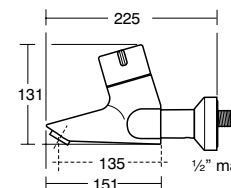
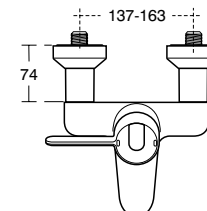
Operating pressure from 1 to 5 bar. Flow rate 19 litres per minute at 1.0 bar. WRAS NO. 1703007



# Contour 21

## thermostatic bath filler

Wall mounted sequential thermostatic 120mm lever operated fail safe bath filler suitable for balanced and unbalanced systems. Lever handle sealed to help prevent damage from spray cleaners.

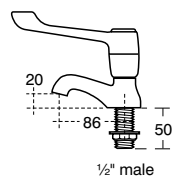


5 : 1 : 11

Tel 0870 122 8822 Fax 0870 122 8282  
Email [info@thebluebook.co.uk](mailto:info@thebluebook.co.uk)  
Online search, specify & CAD: [www.thebluebook.co.uk](http://www.thebluebook.co.uk)

# Markwik pillar taps

Fittings for sluices, washbasins and sinks. When taps are closed levers are parallel to wall. Suitable for low or high pressure systems.



November 2017	
Uniclass PR_40_20	CAWS N13
C/SFB	(74)

## ARMITAGE SHANKS

- 150mm lever taps
- Brass back nuts
- Suitable for closed fist operation

### Illustrated

**S8260** Markwik 1/2" pillar taps, raised nose, inlets screwed 1/2" BSP male

### Material

Chrome Plated Brass

### Weight

2.0kg

### Finishes

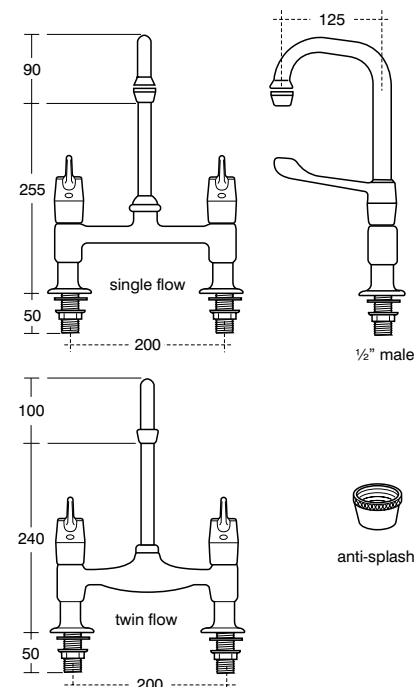
Chrome (AA)

### Special notes

Consideration should be given to safe hot water delivery and the use of an appropriate temperature reduction device see A5900 or Part G for guidance.

# Markwik pillar mixer

Markwik 1/2" pillar mixer with 150mm levers and swivel nozzle. When taps are closed the levers are parallel to the wall. Suitable for low or high pressure systems.



November 2017	
Uniclass PR_40_20	CAWS N13
C/SFB	(74)

## ARMITAGE SHANKS

- Pillar mixers
- For washbasins and sinks
- Suitable for closed fist operation

### Illustrated

**S8200** Markwik 1/2" pillar mixer with 150mm levers single flow pattern swivel nozzle, 125mm projection, anti splash outlet

### Material

Chrome Plated Brass

### Weight

2.9kg

### Finishes

Chrome (AA)

### Options

**S8207** Markwik 1/2" pillar mixer, inlets at 200mm with quarter turn 150mm levers, 200mm projection swivel nozzle single flow, anti splash outlet  
**S8275** Markwik 1/2" pillar mixer with 150mm levers twin flow pattern, swivel nozzle, 125mm projection, anti splash outlet

### Special notes

Consideration should be given to safe hot water delivery and the use of an appropriate temperature reduction device see A5900 or Part G for guidance. Flow rate 9 litres per minute at 0.1 bar.



# Markwik

## wall mounted mixer

Markwik ½" wall mounted mixer with 150mm levers and swivel nozzle. When taps are closed the levers are parallel to the wall. Suitable for low or high pressure systems.



November 2017	
Uniclass PR_40_20	CAWS N13
C/SFB	(74)

### ARMITAGE SHANKS

Wall mounted mixers  
150mm levers  
For washbasins and sinks

**Illustrated**

**S8210** Markwik ½" wall mounted mixer, concealed inlets with 125mm projection single flow swivel nozzle, anti splash outlet, 150mm levers

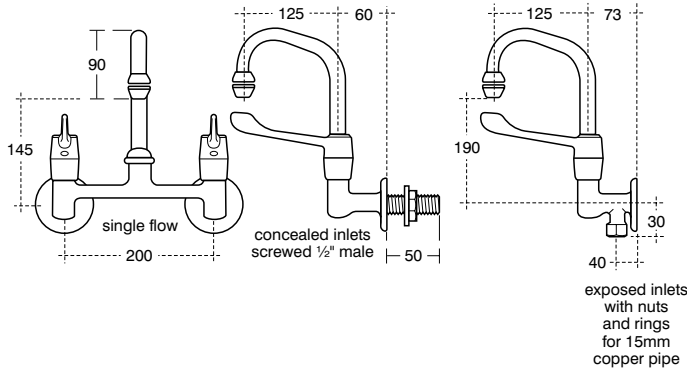
**Material**  
Chrome Plated Brass

**Weight**  
3.0kg

**Finishes**  
Chrome (AA)

**Options**  
**S8205** Markwik ½" wall mounted mixer, exposed inlets with 125mm projection single flow swivel nozzle, anti splash outlet, 150mm levers

**Special notes**  
Consideration should be given to safe hot water delivery and the use of an appropriate temperature reduction device see A5900 or Part G for guidance.



# Markwik

## mixer with built-in servicing

Markwik ½" wall mounted mixer with built-in servicing and volume controls for reduction of splashing and as a temporary isolator for servicing.



November 2017	
Uniclass PR_40_20	CAWS N13
C/SFB	(74)

### ARMITAGE SHANKS

Wall mounted mixers  
15cm levers  
Integral service controls

**Illustrated**

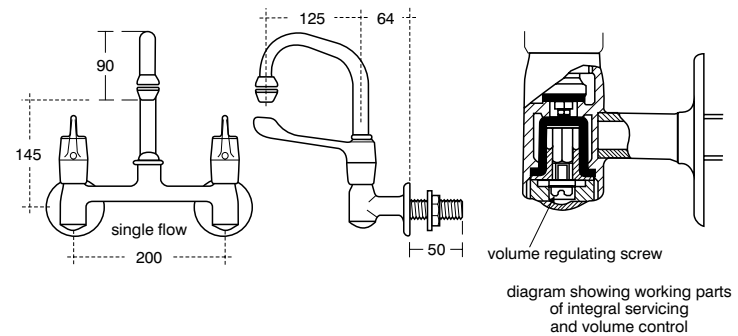
**S8215** Markwik ½" wall mounted mixer with 125mm projection single flow swivel nozzle swan-neck nozzle, anti splash outlet, 150mm levers, concealed inlets with built-in servicing and volume controls

**Material**  
Chrome Plated Brass

**Weight**  
3.5kg

**Finishes**  
Chrome (AA)

**Special notes**  
Consideration should be given to safe hot water delivery and the use of an appropriate temperature reduction device see A5900 or Part G for guidance.



# Markwik

## mixer with single flow nozzle

Markwik 1/2" wall mounted mixer with 15cm levers and horizontal nozzle for exposed or concealed plumbing. When taps are closed the chrome plated levers are parallel to the wall.



November 2017	
Uniclass PR_40_20	CAWS N13
CISFB (74)	

### ARMITAGE SHANKS

Wall mounted mixer

15cm levers

For washbasins and sinks

#### Illustrated

**S8230** Markwik 1/2" wall mounted mixer with single flow horizontal nozzle, anti splash outlet, 150mm levers, concealed inlets

#### Material

Chrome Plated Brass

#### Weight

2.3kg

#### Finishes

Chrome (AA)

#### Options

**S8231** Markwik 1/2" wall mounted mixer with single flow horizontal nozzle, thimble spray outlet, 150mm levers, concealed inlets

#### Special notes

Inlets screwed 1/2" BSP male. Consideration should be given to safe hot water delivery and the use of an appropriate temperature reduction device see A5900 or Part G for guidance.

# Markwik

## high neck pillar taps

Fittings for sinks and sluices. When taps are closed levers are parallel to wall. Suitable for low or high pressure systems.



November 2017	
Uniclass PR_40_20	CAWS N13
CISFB (74)	

### ARMITAGE SHANKS

150mm lever taps

Suitable for closed fist operation

Chrome plated

#### Illustrated

**S8265** Markwik 1/2" high neck pillar taps

#### Material

Chrome Plated Brass

#### Weight

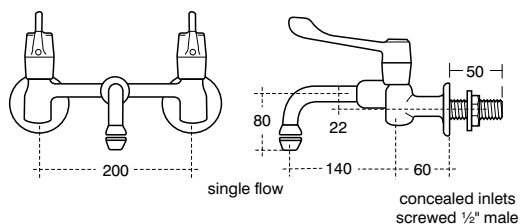
2.3kg

#### Finishes

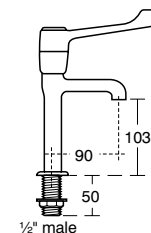
Chrome (AA)

#### Special notes

Inlets screwed 1/2" BSP male. For use in connection with domestic services procedures. WRAS NO. 1305006



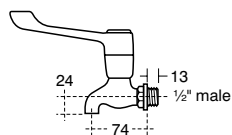
anti-splash



# Markwik

## bib taps

Long lever fittings for sinks and slop hoppers. When taps are closed levers are parallel to wall. Suitable for low or high pressure systems.



November 2017	
Uniclass PR_40_20	CAWS N13
C/SFB	(74)

### ARMITAGE SHANKS

150mm lever taps  
Suitable for closed fist operation

#### Illustrated

**S8270** Markwik 1/2" bib taps  
**B1686** Bib tap wall mount 1/2" for concealed plumbing (pair)

#### Material

Chrome Plated Brass

#### Weight

Bib taps 1.7kg  
Wall mount 0.8kg

#### Finishes

Chrome (AA)

#### Options

**B1688** Bib tap wall mount 1/2" for exposed plumbing, pair  
**B1682** Bib tap extensions 75mm, pair  
**B1684** Bib tap extensions 100mm, pair

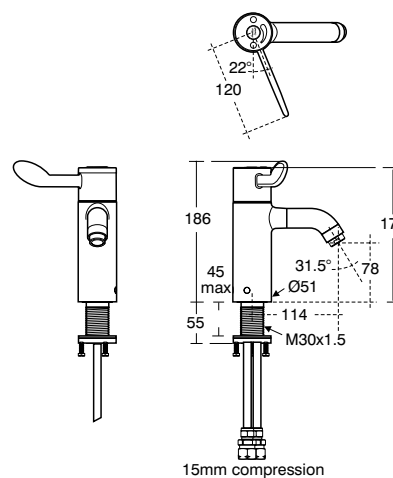
#### Special notes

Inlets screwed 1/2" BSP male. For use in conjunction with sinks and hoppers, with appropriate length extension. Unregulated flow rate 7.5 litres per minute at 0.1 bar. WRAS NO. 1611024

# Markwik 21+

## thermostatic basin mixer

Deck mounted thermostatic basin mixer with lever operation for use on one taphole basins. Insulated technology keeps the 'hot' side of the mixer at a safe surface temperature. Includes a thermal disinfection feature. Spout is removable for autoclave sterilisation, body demounts from base for submergible disinfection and Bioguard outlet also helps protect against bacteria.



November 2017	
Uniclass PR_40_20	CAWS N13
C/SFB	(74)

### ARMITAGE SHANKS

General healthcare  
Thermal disinfection feature  
Demount, submerge and disinfect  
Front access for D-08 auditing and servicing  
Remove and sterilise spout  
Bioguard against bacteria

#### Illustrated

**A6696** Markwik 21+ 1 hole thermostatic basin mixer, single sequential lever, demountable with copper tails

#### Material

Chrome Plated Brass

#### Weight

2.5kg

#### Finishes

Chrome (AA)

#### Options

**A6791** Markwik 21+ basin mixer fixing kit for use with Contour 21+ closed basin

#### Special notes

Single sequential lever for on/off operation and temperature control. Fitted with an Armitage Bioguard outlet which reduces the opportunity for biofilm attachment and is lined with anti-microbial copper. Unique built-in thermal disinfection cleansing feature. Spout is removable for autoclave sterilisation. Body demounts for submergible disinfection. During demounting, integral safety valves will shut off water, in case supplies not isolated. Integral isolating valves, strainers, check valves and flow regulators; which are all accessible from above the basin. Temperature factory set to 40±1°C. Suitable for high and low pressure systems. Flow rate regulated to maximum of 10 litres per minute. Clamping ring with three fixing screws for added security.

Accessory fixing kit specifically designed to facilitate the installation of A6696 when used with Contour 21+ closed basins. Fits onto the tail of the basin mixer and rotates the copper tails by 90° inside the hollow basin cavity, with the inlet water connections coming from the rear. WRAS SAMPLE NO. 1705011

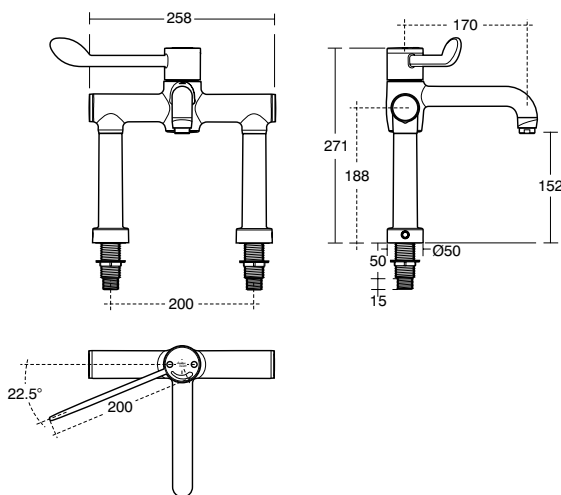




# Markwik 21+

## demountable pillar mixer, single lever sequential with bioguard

Pillar mounted thermostatic basin mixer with lever operation for use on two taphole basins. Insulated technology keeps the 'hot' side of the mixer at a safe surface temperature. Includes a thermal disinfection feature. Body demounts from legs for submergible disinfection and Bioguard outlet also helps protect against bacteria.



November 2017	
Uniclass PR_40_20	CAWS N13
CUSFB (74)	

## ARMITAGE SHANKS

General healthcare  
Thermal disinfection feature  
Demount, submerge and disinfect  
Conforms to HBN 04-01  
Addendum 2014  
Bioguard against bacteria

**Illustrated**

**A6734** Markwik 21+ 2 hole thermostatic basin mixer, single sequential lever, demountable

**Material**

Chrome Plated Brass

**Weight**

4.0kg

**Finishes**

Chrome (AA)

**Options**

**A6898** Markwik 21+ purging kit for 2 hole thermostatic mixers

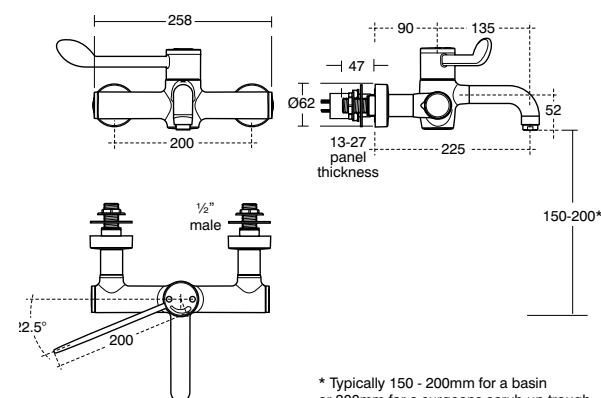
**Special notes**

Single lever for on/off operation and temperature control. Fitted with an Armitage Bioguard outlet which reduces the opportunity for biofilm attachment and is lined with anti-microbial copper. Unique built-in thermal disinfection cleansing feature. Body demounts for submergible disinfection. Suitable for high and low pressure systems. Flow rate regulated to maximum of 10 litres per minute. A separate purging kit is available to facilitate initial installation flushing and water sampling. WRAS NO. 1704022

# Markwik 21+

## sequential lever mixer, demountable

Panel mounted thermostatic basin mixer with lever operation. Mainly used as a healthcare hospital mixer (TB H2a). Insulated technology keeps the 'hot' side of the mixer at a safe surface temperature. Includes a thermal disinfection feature. Body demounts from panel for submergible disinfection and Bioguard outlet also helps protect against bacteria.



\* Typically 150 - 200mm for a basin or 300mm for a surgeons scrub up trough. Recommendations as defined in HBN 00-10 Part C.



November 2017	
Uniclass PR_40_20	CAWS N13
CUSFB (74)	

## ARMITAGE SHANKS

Medical and healthcare use  
Thermal disinfection feature  
Front access for D-08 auditing and servicing  
Demount, submerge and disinfect  
Conforms to HBN 04-01  
Addendum 2014  
Remove and sterilise spout option  
Bioguard against bacteria

**Illustrated**

**A6682** Markwik 21+ panel mounted thermostatic basin mixer, single sequential lever, demountable with removable spout

**Material**

Chrome Plated Brass

**Weight**

3.6kg

**Finishes**

Chrome (AA)

**Options**

**A6899** Markwik 21+ purging kit for panel mounted thermostatic mixers  
**A6735** Markwik 21+ panel mounted thermostatic basin mixer, single sequential lever, demountable

**Standards**

Conforms to HTM64 (2006), HTM04, HFN30

**Special notes**

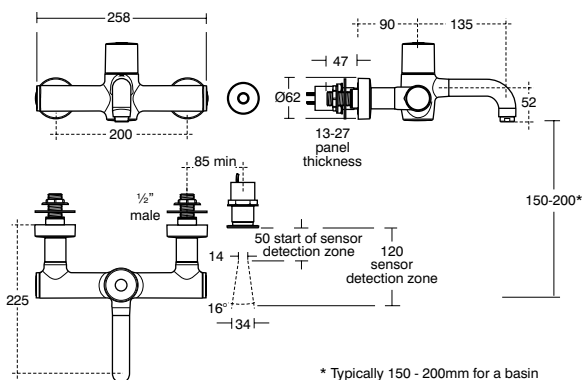
Single lever for on/off operation and temperature control. Especially suited to medium and large hospital pattern integral back outlet basins and washing associated with clinical or nursing procedures. Fitted with an Armitage Bioguard outlet which reduces the opportunity for biofilm attachment and is lined with anti-microbial copper. Unique built-in thermal disinfection cleansing feature. Spout is removable for autoclave sterilisation. Body demounts for submergible disinfection. Suitable for high and low pressure systems. Flow rate regulated to maximum of 10 litres per minute. A separate purging kit is available to facilitate initial installation flushing and water sampling. WRAS NO. 1704021



# Markwik 21+

## timed flow sensor mixer, demountable

Panel mounted thermostatic basin mixer with sensor operation. Mainly used as a healthcare hospital mixer (TB H6). Timed flow sensor operation to ensure water only runs when required to reduce water use. Insulated technology keeps the 'hot' side of the mixer at a safe surface temperature. Includes a thermal disinfection feature. Body demounts from panel for submersible disinfection and Bioguard outlet also helps protect against bacteria.



\* Typically 150 - 200mm for a basin or 300mm for a surgeons scrub up trough. Recommendations as defined in HBN 00-10 Part C.



November 2017	
Uniclass PR_40_20	CAWS N13
C/S/F/B	(74)

ARMITAGE SHANKS

Medical and healthcare use  
Thermal disinfection feature  
Front access for D-08 auditing and servicing  
Demount, submerge and disinfect  
Conforms to HBN 04-01 Addendum 2014  
Remove and sterilise spout option  
Bioguard against bacteria

**Illustrated**

**A6684** Markwik 21+ panel mounted thermostatic basin mixer, time flow sensor, demountable with removable spout

**Material**

Chrome Plated Brass

**Weight**

3.6kg

**Finishes**

Chrome (AA)

**Options**

**A6899** Markwik 21+ purging kit for panel mounted thermostatic mixers

**A6737** Markwik 21+ panel mounted thermostatic basin mixer, time flow sensor, demountable

**Standards**

Conforms to HTM64 (2006), HTM04, HFN30

**Special notes**

Mixer Tap is activated by hand movement over the sensor and water will run for a predetermined length of time. Factory pre-set at 1 minute but adjustable. Hygienic automatic flush can be set to occur every 6, 12, 24, 48 or 72 hours. Especially suited to medium and large hospital pattern integral back outlet basins and washing associated with clinical or nursing procedures. Fitted with an Armitage Bioguard outlet which reduces the opportunity for biofilm attachment and is lined with anti-microbial copper. Unique built-in thermal disinfection cleansing feature. Spout is removable for autoclave sterilisation. Body demounts for submersible disinfection. Suitable for high and low pressure systems. Flow rate regulated to maximum of 10 litres per minute. A separate purging kit is available to facilitate initial installation flushing and water sampling. WRAS NO. 1705015

# Markwik 21+

## accessories

Bioguard outlet replaces traditional flow straightener with an open outlet lined with anti-microbial copper. This reduces the opportunity for bio-film attachment. Bioguard can be retro fitted.

Purging kits allow flushing of the supply pipework to remove any residue or debris after installation, prior to commissioning. Without flushing the filters could easily become blocked, possibly damaging the thermostatic cartridge. Can also be used after filter cleaning to flush any water between the isolation valve and the filter to remove any debris that falls from the strainer. Also usable as a water sampling test point, if required. Only one fitting is supplied which can be used on either hot or cold inlets.



100 Reach spout



135 Reach spout



Inlet protection caps



Bioguard outlet



A6899 purging kit for panel mounted thermostatic mixers

November 2017	
Uniclass PR_40_20	CAWS N13
C/S/F/B	(74)

ARMITAGE SHANKS

For use in medical and healthcare

**Illustrated**

**A6252** 100 Reach spout. For use in conjunction with Contour 21 clinical wall mounted upstand washbasin (S214401)

**A6250** 135 Reach spout. For use in conjunction with Contour 21, 50 and 60cm clinical wall mounted washbasins (S215401 and S215501)

**A6255** Inlet protection caps

**F960847** Bioguard outlet (retro-fit)

**A6898** Markwik 21+ purging kit for 2 hole thermostatic mixers for use with A6734

**A6899** Markwik 21+ purging kit for panel mounted thermostatic mixers for use with A6882, A6735, A6884 and A6737

**Material**

Chrome Plated Metal

**Finishes**

Chrome (AA)  
Unfinished (NU)

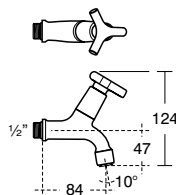


# Nimbus 21

## inclined bib taps

Nimbus 21 bib taps are designed for janitorial, cleaner sinks and slop hoppers. Available with anti vandal, hose union or spray outlets.

Ablution spray also available, along with concealed and exposed wall mounts and extensions.



November 2017	
Uniclass PR_40_20	CAWS N13
C/SFB	(74)

### ARMITAGE SHANKS

Anti vandal outlets  
Flow straightener for low splash

#### Illustrated

**B1673** Nimbus 21 bib taps ½" anti vandal outlet, pair

**B1686** Bib tap wall mount ½" for concealed plumbing, pair

#### Material

Chrome Plated Brass

#### Weight

Bib taps 0.7kg  
Wall mounts 0.8kg

#### Finishes

Chrome (AA)

#### Options

**B1688** Bib tap wall mount ½" for exposed plumbing, pair

**B1682** Bib tap extensions 75mm, pair

**B1684** Bib tap extensions 100mm, pair

#### Special notes

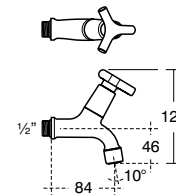
Easy grip handles. Half turn ceramic disc valves for better control. Self centralising feature simplifies upright installation. Bib taps require either concealed or exposed wall mounts. 75 and 100mm extensions are available. Flow rate 7.4 litres per minute @ 0.1 bar (per tap).

# Nimbus 21

## inclined bib taps

Nimbus 21 bib taps are designed for janitorial, cleaner sinks and slop hoppers. Available with anti vandal, hose union or spray outlets.

Ablution spray also available, along with concealed and exposed wall mounts and extensions.



November 2017	
Uniclass PR_40_20	CAWS N13
C/SFB	(74)

### ARMITAGE SHANKS

Anti vandal outlets  
High pressure only  
3.7 litres per minute Eco spray outlet

#### Illustrated

**B1675** Nimbus 21 bib taps ½" anti vandal spray outlet, pair

**B1686** Bib tap wall mount ½" for concealed plumbing, pair

#### Material

Chrome Plated Brass

#### Weight

Bib taps 0.7kg  
Wall mounts 0.8kg

#### Finishes

Chrome (AA)

#### Options

**B1688** Bib tap wall mount ½" for exposed plumbing, pair

**B1682** Bib tap extensions 75mm, pair

**B1684** Bib tap extensions 100mm, pair

#### Special notes

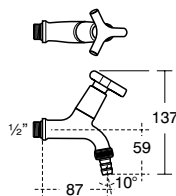
Easy grip handles. Half turn ceramic disc valves for better control. Self centralising feature simplifies upright installation. Bib taps require either concealed or exposed wall mounts. 75 and 100mm extensions are available. Flow rate 2 litres per minute @ 0.4 bar (per tap).



# Nimbus 21

## inclined bib taps

Nimbus 21 bib taps are designed with hose unions for janitorial, cleaner sinks and slop hoppers. Available with anti vandal, hose union or spray outlets. Ablution spray also available, along with concealed and exposed wall mounts and extensions.



November 2017	
Uniclass PR_40_20	CAWS N13
C/SFB	(74)

### ARMITAGE SHANKS

Anti vandal outlets

Hose union outlets

Inclined body ¾" adaptor available

#### Illustrated

**B1674** Nimbus 21 bib taps ½" hose union outlet pair

**B1686** Bib tap wall mount ½" for concealed plumbing, pair

#### Material

Chrome Plated Brass

#### Weight

Bib taps 0.74kg  
Wall mounts 0.8kg

#### Finishes

Chrome (AA)

#### Options

**B1688** Bib tap wall mount ½" for exposed plumbing, pair

**B1682** Bib tap extensions 75mm, pair

**B1684** Bib tap extensions 100mm, pair

#### Special notes

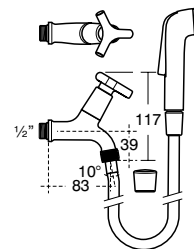
Easy grip handles. Half turn ceramic disc valves for better control. Self centralising feature simplifies upright installation. Bib taps require either concealed or exposed wall mounts. 75 and 100mm extensions are available. Flow rate 7.4 litres per minute @ 0.1 bar (per tap).

# Nimbus 21

## bib tap abluion spray

Nimbus 21 bib taps are designed for janitorial, cleaner sinks and slop hoppers. Available with anti vandal, hose union or spray outlets.

Ablution spray also available, along with concealed and exposed wall mounts and extensions.



November 2017	
Uniclass PR_40_20	CAWS N13
C/SFB	(74)

### ARMITAGE SHANKS

Anti vandal outlets

High pressure only

Hose union outlets

#### Illustrated

**B1676** Nimbus 21 bib tap abluion spray with 1.25m metal hose and handspray single

**B1685** Nimbus 21 concealed bib tap wall mount, self centralising installation, single

#### Material

Chrome Plated Brass

#### Weight

Bib tap 1.13kg  
Wall mounts 0.4kg

#### Finishes

Chrome (AA)

#### Options

**B1687** Bib tap wall mount ½" for exposed plumbing, single

**B1681** Bib tap extension 75mm, single

**B1683** Bib tap extension 100mm, single

#### Special notes

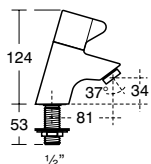
Easy grip handles. Half turn ceramic disc valves for better control. Self centralising feature simplifies upright installation. Bib taps require either concealed or exposed wall mounts. 75 and 100mm extensions are available. Flow rate 3 litres per minute @ 0.4 bar.



# Piccolo 21

## basin pillar taps

Water saving vandal resistant lever operated brassware. Durable easy clean design with clearly marked (non rub off) hot and cold markings.



November 2017	
Uniclass PR_40_20	CAWS N13
C/S/FB	(74)

### ARMITAGE SHANKS

Commercial use  
Anti-vandal outlets

#### Illustrated

**B8262** Piccolo 21 (was Nuastyle 21) inclined 1/2" washbasin pillar taps, lever operated, anti-vandal laminar flow water saving outlet

#### Material

Chrome Plated Brass

#### Weight

1.6kg

#### Finishes

Chrome (AA)

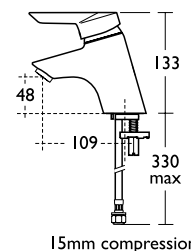
#### Special notes

Inlets screwed 1/2" BSP male, bored and coned for 15mm copper tube. Servicing valves are recommended for isolating fittings. Consideration should be given to safe hot water delivery and the use of an appropriate temperature reduction device see A5900 or Part G for guidance. Regulated flow rate 4.7 litres per minute. Unregulated flow rate 8.5 litres per minute at 0.1 bar. WRAS NO. 1611023

# Piccolo 21

## basin mixer

A range of compact water saving vandal resistant lever operated brassware.



November 2017	
Uniclass PR_40_20	CAWS N13
C/S/FB	(74)

### ARMITAGE SHANKS

Domestic and commercial use  
Anti-vandal outlet

#### Illustrated

**B8260** Piccolo 21 washbasin mixer 1 hole single lever, no waste, fitted with Laminar 4.7 litres per minute flow regulator, tamper proof anti-vandal outlet, Easy fix, temperature limit stop, flexible tails

#### Material

Chrome Plated Brass

#### Weight

1.65kg

#### Finishes

Chrome (AA)

#### Options

**B8261** Piccolo 21 washbasin mixer 1 hole single lever with pop-up waste, fitted with Laminar 4.7 litres per minute flow regulator, tamper proof anti-vandal outlet, Easy fix, temperature limit stop, flexible tails

**B0270** Piccolo 21 washbasin mixer 1 hole single lever, no waste, fitted with Laminar 4.7 litres per minute flow regulator, tamper proof anti-vandal outlet, Easy fix, temperature limit stop, copper tails

**B9135** Piccolo 21 washbasin mixer 1 hole single lever with pop-up waste, fitted 5 litres per minute aerated flow regulator, optional flow straightener, Easyfix, temperature limit stop, flexible tails

#### Special notes

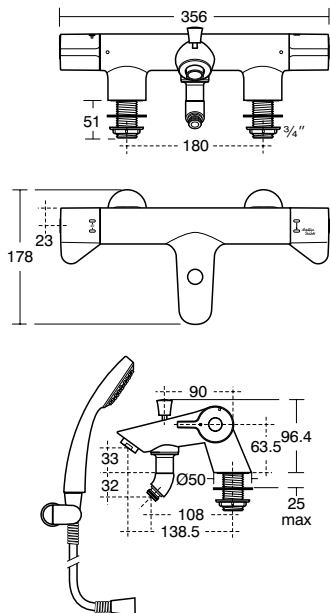
Temperature limit stop that can restrict movement of the handle on the hot side, adding a major safety feature. Consideration should be given to safe hot water delivery and the use of an appropriate temperature reduction device see A5900 or Part G for guidance. Regulated flow rate 4.7 or 5.0 litres per minute. Unregulated flow rate 5 litres per minute at 0.1 bar. WRAS NO. 1703005



# Piccolo 21

## thermostatic bath shower mixer

A range of compact water saving vandal resistant lever operated brassware.



November 2017	
Uniclass PR_40_20	CAWS N13
CJ/SFB (74)	

ARMITAGE SHANKS

Domestic and commercial use  
Single function set

**Illustrated**

**A4989** Piccolo 21 thermostatic 2 hole bath filler and Armaglide 2 shower set

**Material**

Chrome Plated Brass

**Weight**

5.6kg

**Finishes**

Chrome (AA)

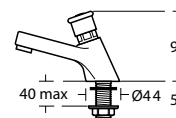
**Special notes**

Flow rates 14 litres per minute at 2 bar bath filler. WRAS NO. 1203013

# Sandringham 21

## self closing pillar taps

Sandringham 21 self closing taps are designed to withstand the knocks of any school washroom. They have an easy push mechanism making them particularly suitable for users with less strength.



November 2017	
Uniclass PR_40_20	CAWS N13
CJ/SFB (74)	

ARMITAGE SHANKS

Easy push operation  
Pair of indices  
Brass backnuts  
5 litres per minute  
flow regulators

**Illustrated**

**S0672** Sandringham 21 self closing pillar taps, pair, 5 litres per minute flow regulators. Two hot, two cold indices supplied

**Material**

Chrome Plated Brass

**Weight**

1.2kg

**Finishes**

Chrome (AA)

**Options**

**S0673** Sandringham 21 self closing pillar tap, single, 5 litres per minute flow regulator. Hot and cold indices supplied

**Special notes**

Easy push mechanism. Pair of red/blue indices supplied. 5 litres per minute flow regulators supplied for water saving installations. 1/2" connection suitable for 15mm copper tubing. Consideration should be given to safe hot water delivery and the use of an appropriate temperature reduction device see A5900 or Part G for guidance. Unregulated flow rate 3.2 litres per minute at 0.1 bar (per tap). WRAS NO. 1609032





# Sandringham 21

## washbasin pillar taps

New Sandringham 21 range, based on proven body designs optimised for flow performance to meet BS EN 200. Screw-down valve with 5 facet handles, one of 3 handle designs.



# Sandringham 21

## bath pillar taps

New Sandringham 21 range, based on proven body designs optimised for flow performance to meet BS EN 200. Screw-down valve with 5 facet handles, one of 3 handle designs.



### ARMITAGE SHANKS

Domestic and commercial use  
Screw down mechanism  
One of three handle designs

#### Illustrated

**B9865** Sandringham 21 washbasin pillar taps

#### Material

Chrome Plated Metal

#### Weight

1.1kg

#### Finishes

Chrome (AA)

#### Options

**B0356** Pillar taps with 4 litres per minute fitted inlet flow regulators.

#### Special notes

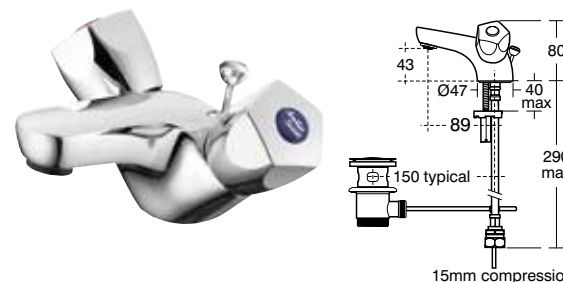
Suitable for balanced/unbalanced supplies. Inlets screwed 1/2" BSP male, coned for copper. Consideration should be given to safe hot water delivery and the use of an appropriate temperature reduction device see A5900 or Part G for guidance. Unregulated flow rate 15 litres per minute at 0.1 bar. WRAS NO. 1210030



# Sandringham 21

## washbasin mixer with pop up waste

New Sandringham 21 range, based on proven body designs optimised for flow performance to meet BS EN 200. Screw-down valve with 5 facet handles.



# Sandringham 21

## washbasin mixer no waste

New Sandringham 21 range, based on proven body designs optimised for flow performance to meet BS EN 200. Screw-down valve with 5 facet handles.



### ARMITAGE SHANKS

Domestic and commercial use  
Pop up waste  
Screw down mechanism

#### Illustrated

**B9868** Sandringham 21 washbasin mixer 1 taphole with pop-up waste

#### Material

Chrome Plated Metal

#### Weight

1.5kg

#### Finishes

Chrome (AA)

#### Options

**B0357** Sandringham 21 washbasin mixer 1 taphole with 4 litres per minute inlet flow regulators and pop-up waste

#### Special notes

Suitable for balanced supplies. Inlets with flexible hoses and connections for 15mm copper tails. Consideration should be given to safe hot water delivery and the use of an appropriate temperature reduction device see A5900 or Part G for guidance. Unregulated flow rate 8.5 litres per minute at 0.1 bar. WRAS NO. 1210028



### ARMITAGE SHANKS

Domestic and commercial use  
No waste version  
Screw down mechanism

#### Illustrated

**B9867** Sandringham 21 washbasin mixer 1 taphole

#### Material

Chrome Plated Metal

#### Weight

1.5kg

#### Finishes

Chrome (AA)

#### Options

**B9869** Sandringham 21 washbasin mixer with weighted chain

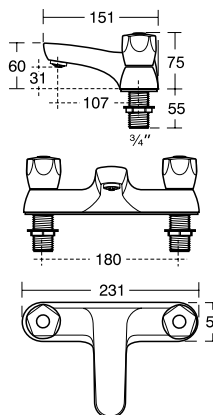
#### Special notes

Suitable for balanced supplies high or low pressure. Inlets with flexible hoses and connections for 15mm copper tails. Consideration should be given to safe hot water delivery and the use of an appropriate temperature reduction device see A5900 or Part G for guidance. Unregulated flow rate 8.5 litres per minute at 0.1 bar. WRAS NO. 1210028

# Sandringham 21

## bath filler

New Sandringham 21 range, based on proven body designs optimised for flow performance to meet BS EN 200. Screw-down valve with 5 facet handles.



November 2017

Uniclass	November 2017
PR_40_20	CAWS
	N13
C/S/F/B	(74)

Domestic and commercial use

Screw down mechanism

One of three handle designs

**Illustrated****B9870** Sandringham 21 bath filler 2 hole**Material**

Chrome Plated Metal

**Weight**

2.1kg

**Finishes**

Chrome (AA)

**Special notes**

Suitable for balanced/unbalanced supplies high or low pressure. Inlets  $\frac{3}{4}$ " BSP male coned for copper. Brass back nuts. Consideration should be given to safe hot water delivery and the use of an appropriate temperature reduction device see A5901 or Part G for guidance. Unregulated flow rate 22 litres per minute at 0.1 bar. WRAS NO. 1307015



ARMITAGE SHANKS

Domestic and commercial use

Includes shower set

Screw down mechanism

**Illustrated****B9871** Sandringham 21 bath shower 2 hole mixer with Armaglide 2 shower set**Material**

Chrome Plated Metal

**Weight**

3.0kg

**Finishes**

Chrome (AA)

**Options****B9908** Fixed height handspray holder**B1364** Category 5 hose retaining bracket**Special notes**

Suitable for balanced high or low pressure supplies. Inlets  $\frac{3}{4}$ " BSP male coned for copper. Pillar taps come supplied with brass back nuts. Consideration should be given to safe hot water delivery and the use of an appropriate temperature reduction device see A5901 or Part G for guidance. Unregulated flow rate 21 litres per minute at 0.1 bar. WRAS NO. 1210029



5 : 1 : 34

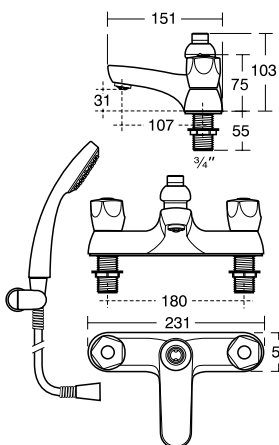
Tel 0870 122 8822 Fax 0870 122 8282

Email [info@thebluebook.co.uk](mailto:info@thebluebook.co.uk)Online search, specify & CAD: [www.thebluebook.co.uk](http://www.thebluebook.co.uk)

# Sandringham 21

## bath shower mixer

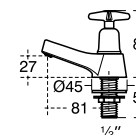
New Sandringham 21 range, based on proven body designs optimised for flow performance to meet BS EN 200. Screw-down valve with 5 facet handles.

Armitage  
Shanks

# Sandringham 21

## washbasin pillar taps

New Sandringham 21 range, based on proven body designs optimised for flow performance to meet BS EN 200. Screw-down valve with crosshead handles one of 3 handle designs.



November 2017

Uniclass	November 2017
PR_40_20	CAWS
	N13
C/S/F/B	(74)

ARMITAGE SHANKS

Domestic and commercial use

Screw down mechanism

One of three handle designs

**Illustrated****B9875** Sandringham 21 washbasin pillar taps, crosshead handles**Material**

Chrome Plated Metal

**Weight**

1.1kg

**Finishes**

Chrome (AA)

**Special notes**

Suitable for balanced/unbalanced supplies high or low pressure. Inlets screwed  $\frac{1}{2}$ " BSP male, coned for copper. Consideration should be given to safe hot water delivery and the use of an appropriate temperature reduction device see A5900 or Part G for guidance. Unregulated flow rate 15 litres per minute at 0.1 bar. WRAS NO. 1210030



ARMITAGE SHANKS

Domestic and commercial use

Screw down mechanism

One of three handle designs

**Illustrated****B9876** Sandringham 21 bath pillar taps, crosshead handles**Material**

Chrome Plated Metal

**Weight**

1.2kg

**Finishes**

Chrome (AA)

**Special notes**

Suitable for balanced/unbalanced supplies high or low pressure. Inlets  $\frac{3}{4}$ " BSP male coned for copper. Pillar taps come supplied with brass back nuts. Consideration should be given to safe hot water delivery and the use of an appropriate temperature reduction device see A5901 or Part G for guidance. Unregulated flow rate 15 litres per minute at 0.1 bar. WRAS NO. 1210030



5 : 1 : 35

Tel 0870 122 8822 Fax 0870 122 8282

Email [info@thebluebook.co.uk](mailto:info@thebluebook.co.uk)Online search, specify & CAD: [www.thebluebook.co.uk](http://www.thebluebook.co.uk)Armitage  
Shanks



# Sandringham 21

## bath filler

New Sandringham 21 range, based on proven body designs optimised for flow performance to meet BS EN 200. Screw-down valve with crosshead handles.



November 2017	
Uniclass PR_40_20	CAWS N13
CUSFB	(74)

### ARMITAGE SHANKS

Domestic and commercial use

Screw down mechanism

One of three handle designs

#### Illustrated

**B9877** Sandringham 21 bath filler 2 hole, crosshead handles

#### Material

Chrome Plated Metal

#### Weight

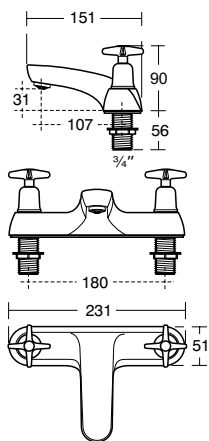
2.0kg

#### Finishes

Chrome (AA)

#### Special notes

Suitable for balanced/unbalanced supplies. Inlets  $\frac{3}{4}$ " BSP male coned for copper. Brass back nuts. Consideration should be given to safe hot water delivery and the use of an appropriate temperature reduction device see A5901 or Part G for guidance. Unregulated flow rate: 22 litres per minute at 0.1 bar. WRAS NO. 1307015



# Sandringham 21

## bath shower mixer

New Sandringham 21 range, based on proven body designs optimised for flow performance to meet BS EN 200. Screw-down valve with crosshead handles.



November 2017	
Uniclass PR_40_20	CAWS N13
CUSFB	(74)

### ARMITAGE SHANKS

Domestic and commercial use

Includes shower set

Screw down mechanism

#### Illustrated

**B9878** Sandringham 21 bath shower mixer 2 hole with Armaglide 2 shower set, crosshead handles

#### Material

Chrome Plated Metal

#### Weight

3.0kg

#### Finishes

Chrome (AA)

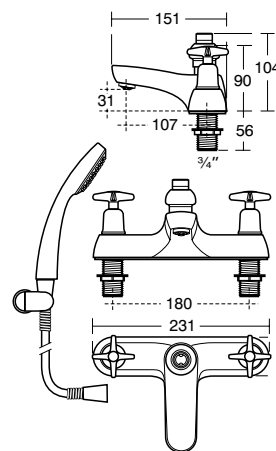
#### Options

**B9908** Fixed height handspray holder

**B1364** Category 5 hose retaining bracket

#### Special notes

Suitable for balanced high or low pressure supplies. Inlets  $\frac{3}{4}$ " BSP male coned for copper. Brass back nuts. Consideration should be given to safe hot water delivery and the use of an appropriate temperature reduction device see A5901 or Part G for guidance. Unregulated flow rate 21 litres per minute at 0.1 bar. WRAS NO. 1210029



# Sandringham 21

## washbasin pillar taps

New Sandringham 21 range, based on proven body designs optimised for flow performance to meet BS EN 200. Ceramic disc lever operation handles one of 3 handle designs.



# Sandringham 21

## bath pillar taps

New Sandringham 21 range, based on proven body designs optimised for flow performance to meet BS EN 200. Ceramic disc with lever operation handles, one of 3 handle designs.



### ARMITAGE SHANKS

Domestic and commercial use

'Drip free' ceramic disc

One of three handle designs

#### Illustrated

**B9881** Sandringham 21 washbasin pillar taps, lever handles

#### Material

Chrome Plated Metal

#### Weight

1.1kg

#### Finishes

Chrome (AA)

#### Special notes

Suitable for balanced/unbalanced supplies. Inlets screwed 1/2" BSP male, coned for copper. Consideration should be given to safe hot water delivery and the use of an appropriate temperature reduction device see A5900 or Part G for guidance. Unregulated flow rate 8.2 litres per minute at 0.1 bar. WRAS NO. 1209112



### ARMITAGE SHANKS

Domestic and commercial use

'Drip free' ceramic disc

One of three handle designs

#### Illustrated

**B9882** Sandringham 21 bath pillar taps, lever handles

#### Material

Chrome Plated Metal

#### Weight

1.2kg

#### Finishes

Chrome (AA)

#### Special notes

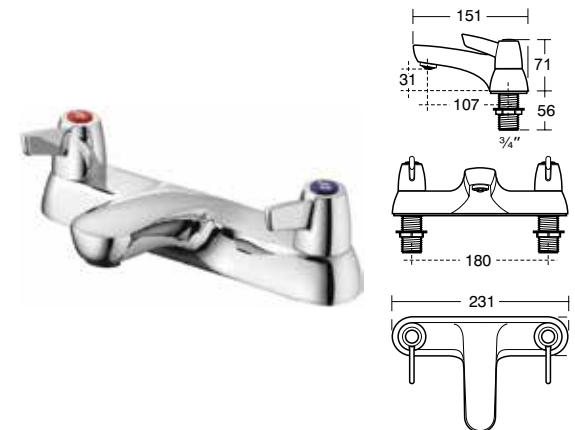
Suitable for balanced high or low pressure supplies. Inlets 3/4" BSP male coned for copper. Pillar taps come supplied with brass back nuts. Consideration should be given to safe hot water delivery and the use of an appropriate temperature reduction device see A5901 or Part G for guidance. Unregulated flow rate 8.2 litres per minute at 0.1 bar. WRAS NO. 1209113



# Sandringham 21

## bath filler

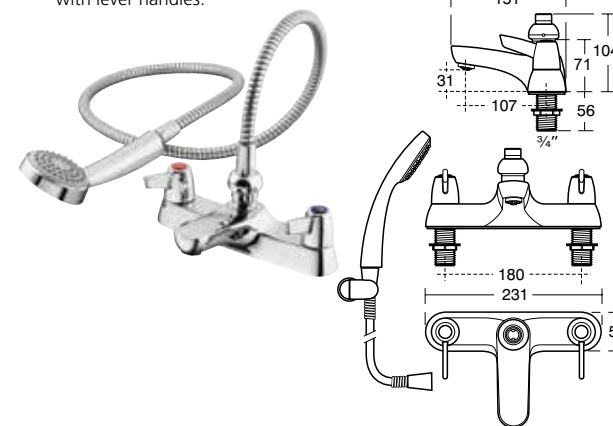
New Sandringham 21 range, based on proven body designs optimised for flow performance to meet BS EN 200. Ceramic disc with lever handles.



# Sandringham 21

## bath shower mixer

New Sandringham 21 range, based on proven body designs optimised for flow performance to meet BS EN 200. Ceramic disc with lever handles.



### ARMITAGE SHANKS

Domestic and commercial use

'Drip free' ceramic disc

One of three handle designs

#### Illustrated

**B9883** Sandringham 21 bath filler 2 hole, lever handles

#### Material

Chrome Plated Metal

#### Weight

2.1kg

#### Finishes

Chrome (AA)

#### Special notes

Suitable for balanced high or low pressure supplies. Inlets 3/4" BSP male coned for copper. Brass back nuts. Consideration should be given to safe hot water delivery and the use of an appropriate temperature reduction device see A5901 or Part G for guidance. Unregulated flow rate 15 litres per minute at 0.1 bar. WRAS NO. 1209117



### ARMITAGE SHANKS

Domestic and commercial use

Includes shower set

'Drip free' ceramic disc

#### Illustrated

**B9884** Sandringham 21 bath shower mixer 2 hole with Armaglide 2 shower set, lever handles

#### Material

Chrome Plated Metal

#### Weight

3.0kg

#### Finishes

Chrome (AA)

#### Options

**B9908** Fixed height handspray holder  
**B1364** Category 5 hose retaining bracket

#### Special notes

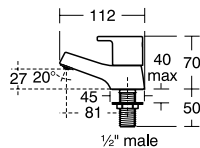
Suitable for balanced high or low pressure supplies. Inlets 3/4" BSP male coned for copper. Brass back nuts. Consideration should be given to safe hot water delivery and the use of an appropriate temperature reduction device see A5901 or Part G for guidance. Unregulated flow rate 14 litres per minute at 0.1 bar. WRAS NO. 1210025



# Sandringham 21 SL

## washbasin pillar taps

Modern replacement for the Sandringham SL range of residential brassware, recognised as a benchmark for single lever fittings. Continues its predecessor's benefits of simple functionality and durability.



November 2017	
Uniclass PR_40_20	CAWS N13
C/S/F/B	(74)

ARMITAGE SHANKS

Domestic and commercial use

Ceramic disc

Brass backnuts

Water saving flow regulator

Easy to use metal lever handles

**Illustrated**

**B3304** Sandringham 21 SL basin pillar taps ½" with 4 litres per minute eco flow regulators, pair

**Material**

Chrome Plated Brass

**Weight**

1.37kg

**Finishes**

Chrome (AA)

**Special notes**

Easy to operate lever handles. Quarter turn ceramic disc valves. Consideration should be given to safe hot water delivery and the use of an appropriate temperature reduction device see A5900 or Part G for guidance. 8 litres per minute @ 3 bar pressure. WRAS NO. 1209112



ARMITAGE SHANKS

Ceramic disc

Brass backnuts

Fast bath filling

Easy to use metal lever handles

**Illustrated**

**B3305** Sandringham 21 SL bath pillar taps ¾", pair

**Material**

Chrome Plated Brass

**Weight**

1.23kg

**Finishes**

Chrome (AA)

**Special notes**

Easy to operate lever handles. Quarter turn ceramic disc valves. Consideration should be given to safe hot water delivery and the use of an appropriate temperature reduction device see A5901 or Part G for guidance. 72 Litres per minute @ 3 bar pressure. WRAS NO. 1209112



# Sandringham 21 SL

## basin mixer

Modern replacement for the Sandringham SL range of residential brassware, recognised as a benchmark for single lever fittings. Continues its predecessor's benefits of simple functionality and durability.



November 2017	
Uniclass PR_40_20	CAWS N13
C/S/F/B	(74)

ARMITAGE SHANKS

Ceramic disc

Easyfix

Water saving flow regulator

Easy to use metal lever handles

**Illustrated**

**B3306** Sandringham 21 SL basin mixer with pop up waste and 5 litres per minute eco flow regulator

**Material**

Chrome Plated Brass

**Weight**

1.45kg

**Finishes**

Chrome (AA)

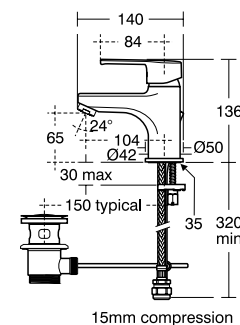
**Options**

**B3307** Sandringham 21 SL basin mixer no waste with 5 litres per minute eco flow regulator

**B3308** Sandringham 21 SL basin mixer with weighted chain and 5 litres per minute eco flow regulator

**Special notes**

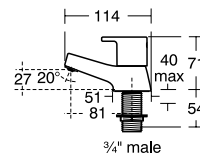
Easy to operate lever handle. Ceramic disc valves. Factory fitted 5 litre per minute flow regulator. Consideration should be given to safe hot water delivery and the use of an appropriate temperature reduction device see A5900 or Part G for guidance. 5 litres per minute @ 3 bar pressure. WRAS NO. 1607008



# Sandringham 21 SL

## bath pillar taps

Modern replacement for the Sandringham SL range of residential brassware, recognised as a benchmark for single lever fittings. Continues its predecessor's benefits of simple functionality and durability.



# Sandringham 21 SL bath filler

Modern replacement for the Sandringham SL range of residential brassware, recognised as a benchmark for single lever fittings. Continues its predecessor's benefits of simple functionality and durability.



November 2017	
Uniclass PR_40_20	CAWS N13
C/S/FB (74)	

ARMITAGE SHANKS

- \_\_\_\_\_ Ceramic disc
- \_\_\_\_\_ Brass backnuts
- \_\_\_\_\_ Fast bath filling
- \_\_\_\_\_ Easy to use metal lever handles

**Illustrated**

**B3309** Sandringham 21 SL 2 hole bath filler

**Material**

Chrome Plated Brass

**Weight**

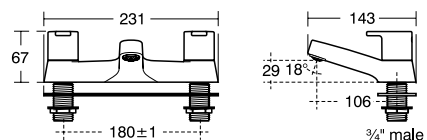
1.69kg

**Finishes**

Chrome (AA)

**Special notes**

Easy to operate lever handles. Quarter turn ceramic disc valves. Consideration should be given to safe hot water delivery and the use of an appropriate temperature reduction device see A5901 or Part G for guidance. 70 litres per minute @ 3 bar pressure. WRAS NO. 1301022



# Sandringham 21 SL bath shower mixer

Modern replacement for the Sandringham SL range of residential brassware, recognised as a benchmark for single lever fittings. Continues its predecessor's benefits of simple functionality and durability.



November 2017	
Uniclass PR_40_20	CAWS N13
C/S/FB (74)	

ARMITAGE SHANKS

- \_\_\_\_\_ Ceramic disc
- \_\_\_\_\_ Brass backnuts
- \_\_\_\_\_ Fast bath filling
- \_\_\_\_\_ Easy to use metal lever handles
- \_\_\_\_\_ Includes handspray and hose

**Illustrated**

**B3310** Sandringham 21 SL 2 hole bath shower mixer with hose and handspray and category 5 hose retainer

**Material**

Chrome Plated Brass

**Weight**

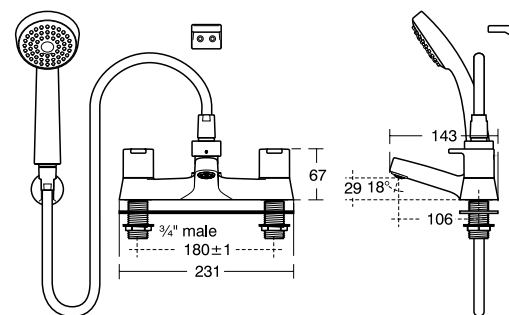
2.53kg

**Finishes**

Chrome (AA)

**Special notes**

Easy to operate lever handles. Quarter turn ceramic disc valves. Consideration should be given to safe hot water delivery and the use of an appropriate temperature reduction device see A5901 or Part G for guidance. 67 litres per minute @ 3 bar pressure. WRAS NO. 1312047



# Sensorflow 21

## compact wall spout 150mm

A range of sensor operated brassware with integral sensor. Demand for hygiene and water saving is met by a range of no touch electronic taps, second to none. Fitted with an anti vandal 3.7 litres per minute laminar flow regulator.



November 2017	
Uniclass PR_40_20	CAWS N13
C/S/F/B	(74)

ARMITAGE SHANKS

Commercial use  
Modern, no moving parts

**Illustrated**

**A4846** Sensorflow 21 compact tubular panel mounted 150mm projection spout, mains

**Material**

Chrome Plated Brass

**Weight**

1.7kg

**Finishes**

Chrome (AA)  
Ultra Steel (GN)

**Options**

**A4847** Sensorflow 21 compact tubular panel mounted 150mm projection spout, link  
**A4845** Sensorflow 21 compact tubular panel mounted 150mm projection spout, battery

**Special notes**

Designed to be supplied with pre-mixed water. Consideration should be given to safe hot water delivery and the use of an appropriate temperature reduction device see A5900 or Part G for guidance. Regulated flow rate 3.7 litres per minute. Unregulated flow rate 5 litres per minute at 0.5 bar. WRAS NO. 1212015

# Sensorflow 21

## compact wall spout 230mm

A range of sensor operated brassware with integral sensor. Demand for hygiene and water saving is met by a range of no touch electronic taps, second to none. Fitted with an anti vandal 3.7 litres per minute laminar flow regulator.



November 2017	
Uniclass PR_40_20	CAWS N13
C/S/F/B	(74)

ARMITAGE SHANKS

Commercial use  
Modern, no moving parts

**Illustrated**

**A4849** Sensorflow 21 compact tubular panel mounted 230mm projection spout, mains

**Material**

Chrome Plated Brass

**Weight**

2.3kg

**Finishes**

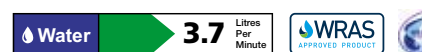
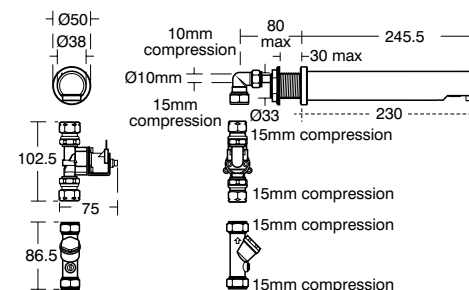
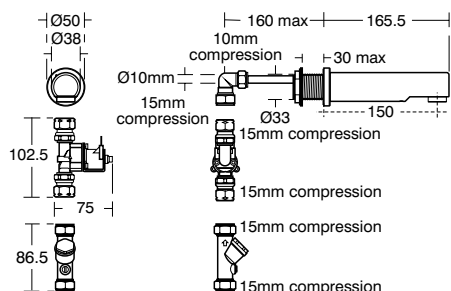
Chrome (AA)  
Ultra Steel (GN)

**Options**

**A4850** Sensorflow 21 compact tubular panel mounted 230mm projection spout, link  
**A4848** Sensorflow 21 compact tubular panel mounted 230mm projection spout, battery

**Special notes**

Designed to be supplied with pre-mixed water. Consideration should be given to safe hot water delivery and the use of an appropriate temperature reduction device see A5900 or Part G for guidance. Regulated flow rate 3.7 litres per minute. Unregulated flow rate 5 litres per minute at 0.5 bar. WRAS NO. 1212015



# Sensorflow 21

## compact rim mounted spout

A range of sensor operated brassware with integral sensor. Demand for hygiene and water saving is met by a range of no touch electronic taps, second to none. Fitted with an anti vandal 3.7 litres per minute laminar flow regulator.



November 2017	
Uniclass PR_40_20	CAWS N13
C/S/F/B	(74)

ARMITAGE SHANKS

Commercial use

Hygienic

**Illustrated**

**A4852** Sensorflow 21 compact washbasin mounted spout, mains

**Material**

Chrome Plated Brass

**Weight**

1.6kg

**Finishes**

Chrome (AA)  
Ultra Steel (GN)

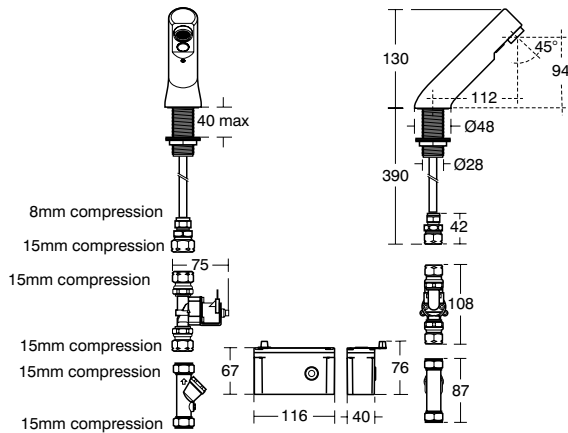
**Options**

**A4853** Sensorflow 21 compact washbasin mounted spout, link

**A4851** Sensorflow 21 compact washbasin mounted spout, battery

**Special notes**

All spouts supplied complete with individual solenoid valve, flexible inlet tail and combined servicing valve and filter. Consideration should be given to safe hot water delivery and the use of an appropriate temperature reduction device see A5900 or Part G for guidance. Regulated flow rate 3.7 litres per minute. Unregulated flow rate: 5 litres per minute at 0.5 bar. WRAS NO. 1210027



# Sensorflow 21

## electronic mixer

A range of sensor operated brassware with integral sensor. Demand for hygiene and water saving is met by a range of electronic sensor taps second to none.



November 2017	
Uniclass PR_40_20	CAWS N13
C/S/F/B	(74)

ARMITAGE SHANKS

Commercial use

Hygienic

**Illustrated**

**A4176** Sensorflow 21 washbasin mounted mixer, mains

**Material**

Chrome Plated Brass

**Weight**

3.9kg

**Finishes**

Chrome (AA)  
Ultra Steel (GN)

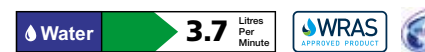
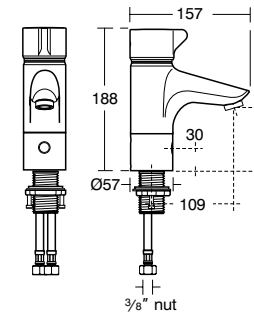
**Options**

**A4177** Sensorflow 21 washbasin mounted mixer, link

**A4124** Sensorflow 21 washbasin mounted mixer, battery

**Special notes**

All spouts supplied complete with individual solenoid valve, flexible inlet tail and combined servicing valve and filter. Consideration should be given to safe hot water delivery and the use of an appropriate temperature reduction device see A5900 or Part G for guidance. Regulated flow rate 3.7 litres per minute. WRAS NO. 1212013



# Sensorflow 21

## wall spout 230mm – separate sensor

Sensorflow 21 range offers every type of sensing brassware including a proximity separate sensor ideal for panel systems. Fitted with an anti vandal 3.7 litres per minute laminar flow regulator.



November 2017	
Uniclass PR_40_20	CAWS N13
CJ/SFB	(74)

ARMITAGE SHANKS

Commercial use  
Hygienic "no touch" operation

**Illustrated**  
**A4183** Sensorflow 21 tubular panel mounted 230mm projection, mains

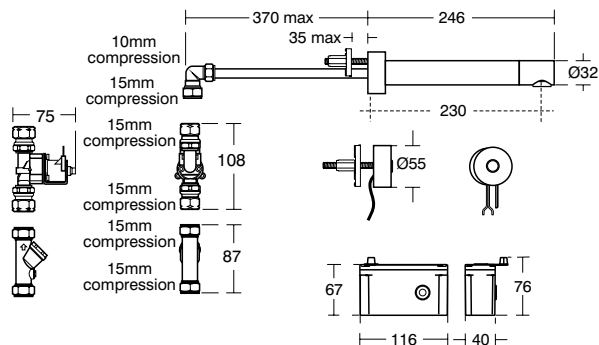
**Material**  
Chrome Plated Brass

**Weight**  
3.3kg

**Finishes**  
Chrome (AA)  
Ultra Steel (GN)

**Options**  
**A4184** Sensorflow 21 tubular panel mounted 230mm projection, link  
**A4182** Sensorflow 21 tubular panel mounted 230mm projection spout, battery

**Special notes**  
Designed to be supplied with pre-mixed water. Consideration should be given to safe hot water delivery and the use of an appropriate temperature reduction device see A5900 or Part G for guidance. Regulated flow rate 3.7 litres per minute. WRAS NO. 1212015



# Sensorflow 21

## wall spout 150mm – separate sensor

Sensorflow 21 range offers every type of sensing brassware including a proximity separate sensor ideal for panel systems.



November 2017	
Uniclass PR_40_20	CAWS N13
CJ/SFB	(74)

ARMITAGE SHANKS

Commercial use  
Hygienic "no touch" operation

**Illustrated**  
**A4180** Sensorflow 21 tubular panel mounted 150mm projection, mains

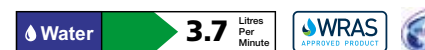
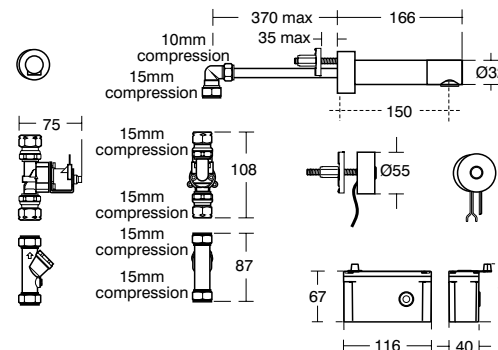
**Material**  
Chrome Plated Brass

**Weight**  
2.5kg

**Finishes**  
Chrome (AA)  
Ultra Steel (GN)

**Options**  
**A4181** Sensorflow 21 tubular panel mounted 150mm projection spout, link  
**A4126** Sensorflow 21 tubular panel mounted 150mm projection spout, battery

**Special notes**  
Designed to be supplied with pre-mixed water. Consideration should be given to safe hot water delivery and the use of an appropriate temperature reduction device see A5900 or Part G for guidance. Regulated flow rate 3.7 litres per minute. WRAS NO. 1212015





# Sensorflow 21

## electronic spout

A range of sensor operated brassware with integral sensor. Demand for hygiene and water saving is met by a range of hands free electronic taps, second to none.



November 2017	
Uniclass PR_40_20	CAWS N13
C/SFB	(74)

ARMITAGE SHANKS

Commercial use  
Hygienic "no touch" operation

**Illustrated**

**A4171** Sensorflow 21 washbasin mounted tall spout, mains

**Material**

Chrome Plated Brass

**Weight**

3.6kg

**Finishes**

Chrome (AA)  
Ultra Steel (GN)

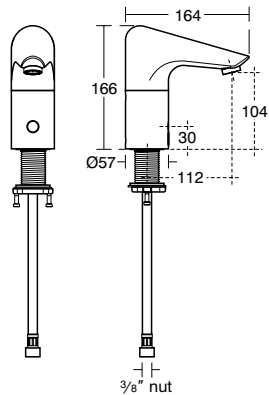
**Options**

**A4172** Sensorflow 21 washbasin mounted tall spout, link

**A4122** Sensorflow 21 washbasin mounted tall spout, battery

**Special notes**

Designed to be supplied with pre-mixed water. Consideration should be given to safe hot water delivery and the use of an appropriate temperature reduction device see A5900 or Part G for guidance. Regulated flow rate 3.7 litres per minute. WRAS NO. 1610046



# Sensorflow 21

## electronic small spout

A range of sensor operated brassware with integral sensor. Demand for hygiene and water saving is met by a range of hands free electronic taps, second to none. Fitted with an anti vandal 4.7 litres per minute laminar flow regulator.



November 2017	
Uniclass PR_40_20	CAWS N13
C/SFB	(74)

ARMITAGE SHANKS

Commercial use  
Hygienic

**Illustrated**

**A4798** Sensorflow 21 washbasin mounted spout, mains

**Material**

Chrome Plated Brass

**Weight**

3.0kg

**Finishes**

Chrome (AA)  
Ultra Steel (GN)

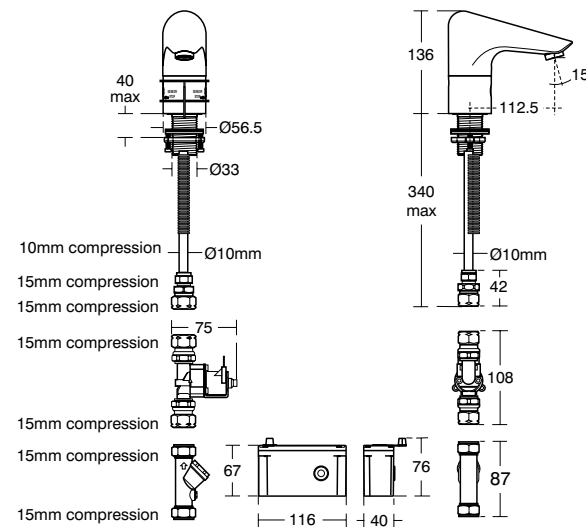
**Options**

**A4799** Sensorflow 21 washbasin mounted spout, link

**A4664** Sensorflow 21 washbasin mounted spout, battery

**Special notes**

Designed to be supplied with pre-mixed water. Consideration should be given to safe hot water delivery and the use of an appropriate temperature reduction device see A5900 or Part G for guidance. Regulated flow rate 4.7 litres per minute. WRAS NO. 1612023

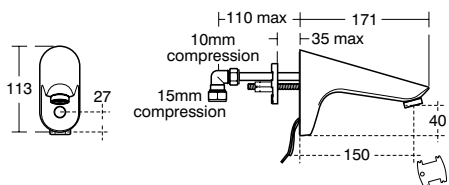




# Sensorflow 21

## cast spout with built-in sensor

Sensorflow 21 range offers every type of sensing brassware. Cast spout with built-in sensor. Do not connect to an interruptible power supply as this can invoke unintentional re-programming. Fitted with an anti vandal 4.7 litres per minute laminar flow regulator.



November 2017	
Uniclass PR_40_20	CAWS N13
C/S/F/B	(74)

ARMITAGE SHANKS

### Commercial use

Anti vandal

Hygienic "no touch" operation

Chrome plated

### Illustrated

**A4178** Sensorflow 21 panel mounted 15cm cast spout integral sensor, flexible inlet tail, solenoid valve, combined servicing valve and filter, sensor and solenoid cables, copper tube inlets, mains

### Material

Chrome Plated Brass

### Weight

2.4kg

### Finishes

Chrome (AA)  
Ultra Steel (GN)

### Options

**A4179** Sensorflow 21 panel mounted 15cm cast spout integral sensor, flexible inlet tail, solenoid valve, combined servicing valve and filter sensor and solenoid cables, copper tube inlets, link

**A4125** Sensorflow 21 panel mounted 15cm cast spout integral sensor, flexible inlet tail, solenoid valve, combined servicing valve and filter, sensor and solenoid cables, copper tube inlets, battery

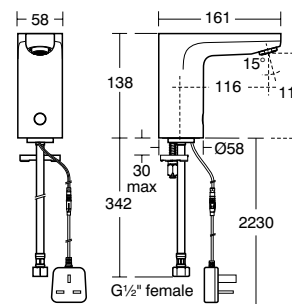
### Special notes

All spouts supplied complete with individual solenoid valve, copper tube inlet and combined servicing valve and filter. Consideration should be given to safe hot water delivery and the use of an appropriate temperature reduction device see A5900 or Part G for guidance. Spouts with integral sensors detect hands within the sensing range and the solenoid valve is opened. Automatically shuts off if sensor is obstructed for a maximum of 50 seconds. Mains powered transformer with option to use up to 5 link units per main unit or stand alone battery powered units. Regulated flow rate 4.7 litres per minute. WRAS NO. 1212014

# Sensorflow Wave

## basin mixer

A range of sensor operated fittings with touch free operation to satisfy the demand for hygiene and water saving. Range includes rim mounted basin spouts and mixers, wall mounted thermostatic basin mixers and built-in thermostatic shower mixers. Available with and without user adjustable temperature. Adjustable run time and automatic purge (frequency and duration).



November 2017	
Uniclass PR_40_20	CAWS N13
C/S/F/B	(74)

ARMITAGE SHANKS

Water and energy saving

IdealBlue technology

3.8 litres per minute Eco aerated flow regulator

Easy-fix for quick installation

Cool body

Mains and battery versions

Isolation valve with strainer

### Illustrated

**A6161** Sensorflow Wave basin mixer, 1 hole (mains)

### Material

Chrome Plated Brass

### Weight

2.2kg

### Finishes

Chrome (AA)

### Options

**F960970** Remote Control Programmer

**A6160** Sensorflow Wave basin tap, 1 hole (battery)

### Special notes

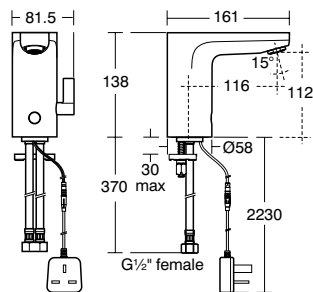
Run time adjustable up to 4 minutes. Inlet with flexible tail. Includes isolating valve with strainer and connection for 15mm copper tube. Fitted with a 3.8 litres per minute Eco aerated flow regulator. When installed in commercial applications a thermostatic blending valve such as A5900 should be used. 3.8 litres per minute @ 3 bar pressure.



# Sensorflow Wave

## basin mixer with temperature control

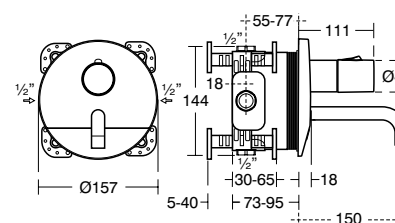
A range of sensor operated fittings with touch free operation to satisfy the demand for hygiene and water saving. Range includes rim mounted basin spouts and mixers, wall mounted thermostatic basin mixers and built-in thermostatic shower mixers. Available with and without user adjustable temperature. Adjustable run time and automatic purge (frequency and duration).



# Sensorflow Wave

## thermostatic built-in basin mixer

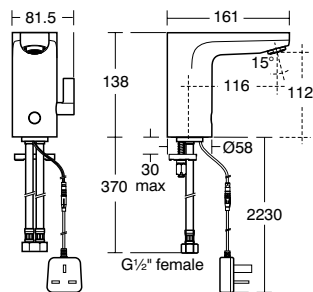
A range of sensor operated fittings with touch free operation to satisfy the demand for hygiene and water saving. Range includes rim mounted basin spouts and mixers, wall mounted thermostatic basin mixers and built-in thermostatic shower mixers. Available with and without user adjustable temperature. Adjustable run time and automatic purge (frequency and duration).



# Sensorflow Wave

## basin mixer with temperature control

A range of sensor operated fittings with touch free operation to satisfy the demand for hygiene and water saving. Range includes rim mounted basin spouts and mixers, wall mounted thermostatic basin mixers and built-in thermostatic shower mixers. Available with and without user adjustable temperature. Adjustable run time and automatic purge (frequency and duration).



November 2017	
Uniclass PR_40_20	CAWS N13
C/S/F/B	(74)

ARMITAGE SHANKS

Water and energy saving  
3.8 litres per minute Eco aerated  
flow regulator

Easy-fix for quick installation

User temperature adjustment

Cool body

Isolation valve with strainer

**Illustrated**

**A6163** Sensorflow Wave basin mixer 1 hole with temperature control (mains)

**Material**

Chrome Plated Brass

**Weight**

2.5kg

**Finishes**

Chrome (AA)

**Options**

**F960970** Remote Control Programmer

**Special notes**

Run time adjustable up to 4 minutes. Inlets with flexible tails. Includes isolating valves with strainers, check valves and connection for 15mm copper tube. Fitted with a 3.8 litres per minute Eco aerated flow regulator. When installed in commercial applications a thermostatic blending valve such as A5900 should be used. 3.8 litres per minute @ 3 bar pressure.

November 2017	
Uniclass PR_40_20	CAWS N13
C/S/F/B	(74)

ARMITAGE SHANKS

Thermostatic temperature control  
Temperature safety button

3.8 litres per minute Eco aerated  
flow regulator

Easybox for simple installation

User temperature adjustment

Double water sealing

**Illustrated**

**A6165** Sensorflow Wave thermostatic basin mixer built-in 150mm spout (mains)

**Material**

Chrome Plated Brass

**Weight**

3.9kg

**Finishes**

Chrome (AA)

**Options**

**A6169** Sensorflow Wave thermostatic basin mixer built-in 230mm spout (mains)  
**F960970** Remote Control Programmer

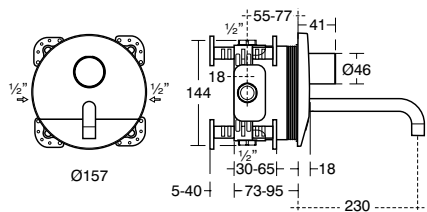
**Special notes**

Includes Easybox plastic installation box with double water sealing. Fitted with a 3.8 litres per minute Eco aerated flow regulator. Auto purge facility with frequency adjustable from 6 to 72 hours and run time up to 4 minutes. Optional remote control programmer F960970. 3.8 litres per minute @ 3 bar pressure

# Sensorflow Wave

## thermostatic built-in basin mixer with set temperature

A range of sensor operated fittings with touch free operation to satisfy the demand for hygiene and water saving. Range includes rim mounted basin spouts and mixers, wall mounted thermostatic basin mixers and built-in thermostatic shower mixers. Available with and without user adjustable temperature. Adjustable run time and automatic purge (frequency and duration).



November 2017	
Uniclass PR_40_20	CAWS N13
C/S/F/B	(74)

ARMITAGE SHANKS

Thermostatic temperature control

Thermal disinfection facility

3.8 litres per minute Eco aerated flow regulator

Easybox for simple installation

Tool required for temperature adjustment

Isolation valve with strainer

### Illustrated

**A6171** Sensorflow Wave thermostatic basin mixer built-in 230mm spout with set temperature (mains)

### Material

Chrome Plated Brass

### Weight

3.9kg

### Finishes

Chrome (AA)

### Options

**F960970** Remote Control Programmer

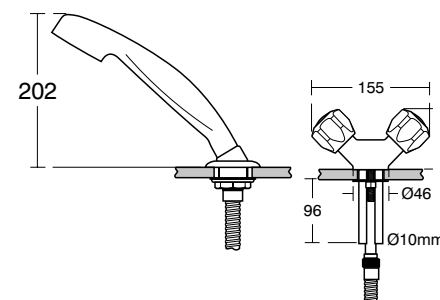
### Special notes

Includes Easybox plastic installation box with double water sealing. Fitted with a 3.8 litres per minute Eco aerated flow regulator. Auto purge facility with frequency adjustable from 6 to 72 hours and run time up to 4 minutes. Optional remote control programmer F960970. 3.8 litres per minute @ 3 bar pressure

# Starlite

## hairdressers basin mixer

Starlite hairdressers single taphole mixer with metal handles, flexible hose, handspray and metal sleeve.



November 2017	
Uniclass PR_40_20	CAWS N13
C/S/F/B	(74)

ARMITAGE SHANKS

Hairdressers use

Flexible hose

### Illustrated

**S7450** Starlite hairdressers washbasin mixer 1 hole with metal handles, flexible hose, handspray and metal sleeve. Inlets plain 10mm copper pipe.

### Material

Chrome Plated Metal

### Weight

1.8kg

### Finishes

Chrome (AA)

### Special notes

Consideration should be given to safe hot water delivery and the use of an appropriate temperature reduction device see A5900 or Part G for guidance.



# Mixing valve thermostatic

Thermostatic mixing valves are to supply premixed water to a set temperature to basin, bidet, bath or shower.

ARMITAGE SHANKS

Automatic shut off

Precise temperature control

Hygienic

**Illustrated**

**A5900** TMV Thermostatic mixing valve 15mm

**Material**

Chrome Plated Metal

**Weight**

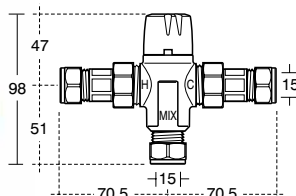
0.6kg

**Finishes**

Chrome (AA)

**Special notes**

Operating pressures from 0.2 to 5.0 bar, 10 bar static pressure. Recommended supply temperatures, Hot 52-65°C, Cold 5-20°C. For best results both supplies should be at equal pressures. Suitable for basin filling. WRAS NO. 1405123



Contract

# Mixing valve thermostatic

Thermostatic mixing valves are to supply premixed water to a set temperature to basin, bidet, bath or shower.

ARMITAGE SHANKS

Automatic shut off

Precise temperature control

Hygienic

**Illustrated**

**A5901** TMV Thermostatic mixing valve 22mm

**Material**

Chrome Plated Metal

**Weight**

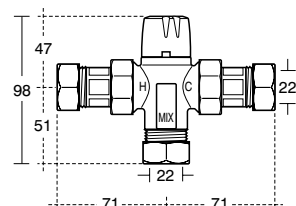
1.7kg

**Finishes**

Chrome (AA)

**Special notes**

Operating pressures from 0.2 to 5.0 bar, 10 bar static pressure. Recommended supply temperatures, Hot 52-65°C, Cold 5-20°C. For best results both supplies should be at equal pressures. The valve is eminently suitable for multi point usage. WRAS NO. 1405123



Brassware

# Soap Dispensers

Soap Dispensers

6:1:1



## Icon key

-  Residential
-  Public Places
-  Water Savings
-  Hospitals & Healthcare
-  Disabled Access
-  Doc M Compliant
-  Education
-  Spacesaving
-  Hotels
-  Anti-vandal

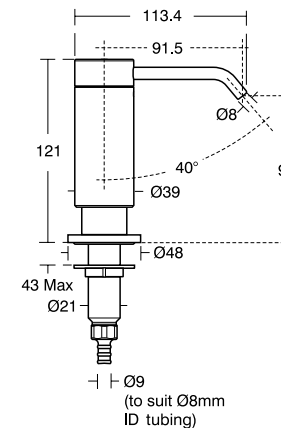
November 2017	
Uniclass PR_40_20	CAWS N13
C/SFB	(74)

## Soap Dispensers

# Contour 21

## upright deck mounted soap dispenser

A range of soap dispensers and accessories for non-residential washrooms. Three designs: upright and angled deck mounted plus panel mounted. Designed to compliment the Contour 21, Avon 21 and Sensorflow 21 ranges of taps. Available in Chrome and Ultra Steel finish. Life tested to confirm excellent durability. A range of soap bottles are also available for single and multipoint use.



November 2017	
Uniclass PR_40_20	CAWS N13
C/SFB	(74)

ARMITAGE SHANKS

Simple press operation  
Adjustable soap volume  
Requires Ø32mm fixing hole  
Excellent durability  
Easy to clean and prime  
Chrome or Ultra Steel finish

### Illustrated

**A9208** Contour 21 upright deck mounted soap dispenser, requires separate soap bottle

### Material

Chrome Plated Brass

### Weight

Soap dispenser 0.9kg  
Soap bottle 0.5kg

### Finishes

Chrome (AA)  
Ultra Steel (GN)

### Options

**A9239** Contour 21 soap bottle direct feed for use only with Contour 21 deck mounted soap dispensers

**A9240** Contour 21 soap bottle remote single feed for use with all Contour 21 soap dispensers

**A9241** Contour 21 soap bottle remote 4 feed for use with all Contour 21 soap dispensers

### Special notes

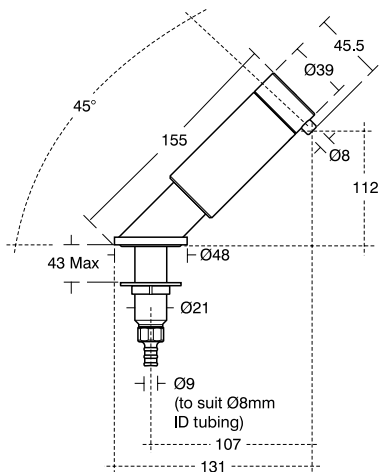
Soap dispenser and soap bottles are supplied separately. Soap dispensers are factory set to deliver 2.5ml of soap per stroke but can be adjusted down to 1ml. A maximum soap viscosity of 40,000 cP is recommended. Soap should be situated below the dispenser.



# Contour 21

## angled deck mounted soap dispenser

A range of soap dispensers and accessories for non-residential washrooms. Three designs: upright and angled deck mounted plus panel mounted. Designed to compliment the Contour 21, Avon 21 and Sensorflow 21 ranges of taps. Available in Chrome and Ultra Steel finish. Life tested to confirm excellent durability. A range of soap bottles are also available for single and multipoint use.



November 2017	
Uniclass PR_40_20	CAWS N13
C/SFB	(74)

ARMITAGE SHANKS

- Simple press operation
- Adjustable soap volume
- Requires Ø32mm fixing hole
- Excellent durability
- Easy to clean and prime
- Chrome or Ultra Steel finish

**Illustrated**

**A9210** Contour 21 angled deck mounted soap dispenser, requires separate soap bottle

**Material**

Chrome Plated Brass

**Weight**

Soap dispenser 2.0kg  
 Soap bottle 0.5kg  
 Flange 0.06kg

**Finishes**

Chrome (AA)  
 Ultra Steel (GN)

**Options**

- A9239** Contour 21 soap bottle direct feed for use only with Contour 21 deck mounted soap dispensers
- A9240** Contour 21 soap bottle remote single feed for use with all Contour 21 soap dispensers
- A9241** Contour 21 soap bottle remote 4 feed for use with all Contour 21 soap dispensers
- A9243** Flange for Sensorflow 21 fittings A4851 / A4852 / A4853 to match angled soap dispenser

**Special notes**

Soap dispenser and soap bottles are supplied separately. Soap dispensers are factory set to deliver 2.5ml of soap per stroke but can be adjusted down to 1ml. A maximum soap viscosity of 40,000 cP is recommended. Soap should be situated below the dispenser.



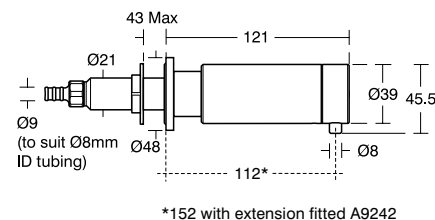
# Contour 21

## panel mounted soap dispenser

A range of soap dispensers and accessories for non-residential washrooms. Three designs: upright and angled deck mounted plus panel mounted. Designed to compliment the Contour 21, Avon 21 and Sensorflow 21 ranges of taps. Available in Chrome and Ultra Steel finish. Life tested to confirm excellent durability. A range of soap bottles are also available for single and multipoint use.



Shown with A9242  
 Contour 21 extension



\*152 with extension fitted A9242

November 2017	
Uniclass PR_40_20	CAWS N13
C/SFB	(74)

ARMITAGE SHANKS

- Simple press operation
- Adjustable soap volume
- Maximum 43mm mounting thickness
- Excellent durability
- Easy to clean and prime
- Chrome or Ultra Steel finish

**Illustrated**

**A9209** Contour 21 panel mounted soap dispenser, requires separate soap bottle

**Material**

Chrome Plated Brass

**Weight**

Soap dispenser 2.0kg  
 Soap bottle 0.5kg  
 Extension 0.01kg

**Finishes**

Chrome (AA)  
 Ultra Steel (GN)

**Options**

- A9240** Contour 21 soap bottle remote single feed for use with all Contour 21 soap dispensers
- A9241** Contour 21 soap bottle remote 4 feed for use with all Contour 21 soap dispensers
- A9242** Contour 21 extension for use with panel mounted soap dispenser A9209 to increase reach by 40mm from 112 to 152mm

**Special notes**

Soap dispenser and soap bottles are supplied separately. Soap dispensers are factory set to deliver 2.5ml of soap per stroke but can be adjusted down to 1ml. A maximum soap viscosity of 40,000 cP is recommended. Soap should be situated below the dispenser.



## Soap Dispensers

# Contour 21

## accessories

A range of soap bottles are available for single and multipoint use.



A9239 Contour 21  
soap bottle direct feed



A9240 Contour 21  
soap bottle remote  
single feed



A9241 Contour 21 soap  
bottle remote 4 feed

ARMITAGE SHANKS

For use in non-residential  
washrooms

### Illustrated

**A9239** Contour 21 soap bottle direct feed for use only with Contour 21 deck mounted soap dispensers

**A9240** Contour 21 soap bottle remote single feed for use with all Contour 21 soap dispensers

**A9241** Contour 21 soap bottle remote 4 feed for use with all Contour 21 soap dispensers

### Material

Plastic

### Finishes

Unfinished (NU)



# Showers



Valves and Mixers 7:1:1

Kits and Fixed Heads 7:2:1

## Icon key

-  Residential
-  Public Places
-  Water Savings
-  Hospitals & Healthcare
-  Disabled Access
-  Doc M Compliant
-  Education
-  Spacesaving
-  Hotels
-  Anti-vandal

# Showers

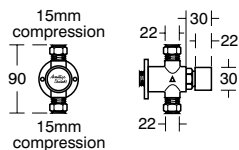
## Valves and Fittings

## Valves and Mixers

# Avon

## self-closing exposed shower valve

A one set temperature self closing exposed push button shower valve which is water saving and anti vandal. Adjustable time delay for automatic shut off with non-concussive action to avoid water hammer. Designed to be supplied with pre-mixed water via a thermostatic blending valve.



November 2017	
Uniclass PR_40_20	CAWS N13
C/S/FB	(74)

## ARMITAGE SHANKS

One temperature non-mixing  
Top or bottom supply

**Illustrated**

**59322** Avon self closing push button exposed shower valve, inlets and outlets with compression nuts and rings for 15mm copper tube

**Material**

Chrome Plated Metal

**Weight**

1.0kg

**Finishes**

Chrome (AA)

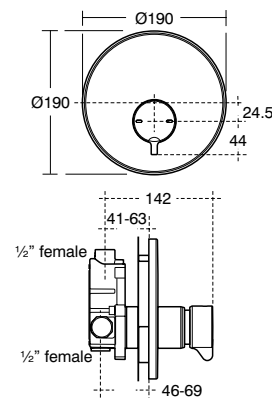
**Special notes**

Designed to be supplied with pre-mixed water via a thermostatic valve. Fixing through back plate with 2 wood screws or with pipe brackets (not supplied). Operating head min 0.15 bar, max 4.0 bar. Consideration should be given to safe hot water delivery and the use of an appropriate temperature reduction device, see A5900 or Part G for guidance.

# Avon 21

## built-in self closing shower mixer

A variable temperature control, self closing built-in shower mixer with push button which is water saving and anti vandal. Adjustable time delay for automatic shut off with non-concussive action to avoid water hammer. Designed to be supplied with pre-mixed water via a thermostatic blending valve.



November 2017	
Uniclass PR_40_20	CAWS N13
C/S/FB	(74)

## ARMITAGE SHANKS

Adjustable temperature  
Non mixing version available  
Top or bottom supply

**Illustrated**

**B8265** Avon 21 self closing push button shower with concealing plate, variable temperature control

**Material**

Chrome Plated Metal

**Weight**

2.9kg

**Finishes**

Chrome (AA)

**Special notes**

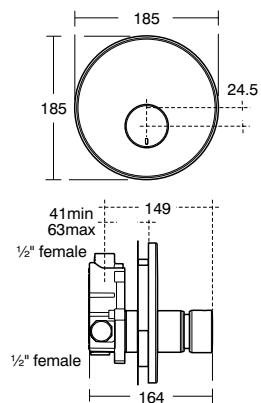
Consideration should be given to safe hot water delivery and the use of an appropriate temperature reduction device see A5900 or Part G for guidance. Flow rate 6 litres per minute at 1 bar. WRAS NO. 1209024



# Avon 21

## built-in self closing non-mixing shower

A one set temperature, self closing built-in shower mixer with push button which is water saving and anti vandal. Adjustable time delay for automatic shut off with non-concussive action to avoid water hammer. Designed to be supplied with pre-mixed water via a thermostatic blending valve.



November 2017	
Uniclass PR_40_20	CAWS N13
CISFB (74)	

### ARMITAGE SHANKS

One temperature non-mixing

Mixing version available

Top or bottom supply

#### Illustrated

**B8266** Avon 21 self closing push button shower valve with concealing plate, non mixing

#### Material

Chrome Plated Metal

#### Weight

2.8kg

#### Finishes

Chrome (AA)

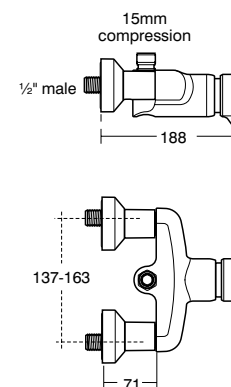
#### Special notes

Consideration should be given to safe hot water delivery and the use of an appropriate temperature reduction device see A5900 or Part G for guidance. Flow rate 5 litres per minute at 0.1 bar. WRAS NO. 1704700

# Avon 21

## exposed self closing shower mixer

A variable temperature control, exposed self closing shower mixer with push button which is water saving and anti vandal. Adjustable time delay for automatic shut off with non-concussive action to avoid water hammer. Designed to be supplied with pre-mixed water via a thermostatic blending valve.



November 2017	
Uniclass PR_40_20	CAWS N13
CISFB (74)	

### ARMITAGE SHANKS

Adjustable temperature

Top or bottom supply

#### Illustrated

**B8264** Avon 21 self closing push button shower mixing valve exposed, variable temperature

#### Material

Chrome Plated Metal

#### Weight

Self closing push button 3.1kg

#### Finishes

Chrome (AA)

#### Special notes

Consideration should be given to safe hot water delivery and the use of an appropriate temperature reduction device see A5900 or Part G for guidance. If Anti-vandal shower head A5451 is used with this mixer then it is recommended that riser pipe B0036 is used to simplify the installation



7 : 1 : 4

Tel 0870 122 8822 Fax 0870 122 8282  
Email [info@thebluebook.co.uk](mailto:info@thebluebook.co.uk)  
Online search, specify & CAD: [www.thebluebook.co.uk](http://www.thebluebook.co.uk)

Armitage  
Shanks

Tel 0870 122 8822 Fax 0870 122 8282  
Email [info@thebluebook.co.uk](mailto:info@thebluebook.co.uk)  
Online search, specify & CAD: [www.thebluebook.co.uk](http://www.thebluebook.co.uk)

7 : 1 : 5

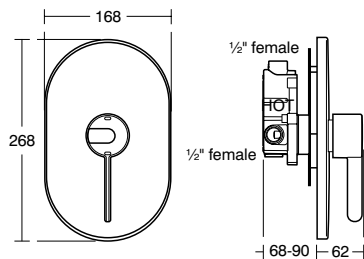


Armitage  
Shanks

# Contour 21

## built-in sequential shower mixer extended lever

Sequential thermostatic 120mm lever operated, built in fail safe shower with safety stop feature. Suitable for balanced and unbalanced low or high pressure systems.



November 2017	
Uniclass PR_40_20	CAWS N13
CI/SFB	(74)

ARMITAGE SHANKS

Extended easy use lever  
Automatic safety shut off  
Exposed version

**Illustrated**

**A4129** Contour 21 thermostatic built-in shower mixer, lever operated

**Material**

Chrome Plated Metal

**Weight**

3.1kg

**Finishes**

Chrome (AA)

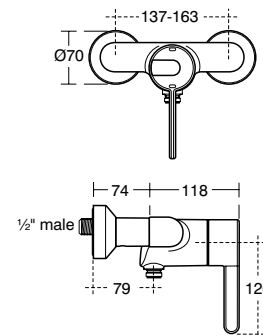
**Special notes**

Flow rate 2.5 litres per minute at 0.2 bar.  
WRAS NO. 1604039

# Contour 21

## exposed sequential shower mixer extended lever

Sequential thermostatic 120mm lever operated, built in fail safe shower with safety stop feature. Suitable for balanced and unbalanced low or high pressure systems.



November 2017	
Uniclass PR_40_20	CAWS N13
CI/SFB	(74)

ARMITAGE SHANKS

Extended easy use lever  
Automatic safety shut off  
Build in versions

**Illustrated**

**A4130** Contour 21 thermostatic exposed shower mixer, lever operated

**Material**

Chrome Plated Metal

**Weight**

Exposed shower mixer 3.0kg

**Finishes**

Chrome (AA)

**Special notes**

Operating pressures from 0.2 to 5.0 bar. TMV Thermostatic Mixing Valve Scheme approved. Meeting the requirements of the NHS Model Engineering Specification - D 08 for Type 3 valves. Inlet isolation valves allow front of panel servicing. Flow rate 6 litres per minute at 0.2 bar. WRAS NO. 1212020



7 : 1 : 6

Tel 0870 122 8822 Fax 0870 122 8282  
Email [info@thebluebook.co.uk](mailto:info@thebluebook.co.uk)  
Online search, specify & CAD: [www.thebluebook.co.uk](http://www.thebluebook.co.uk)

Armitage  
Shanks

7 : 1 : 7

Tel 0870 122 8822 Fax 0870 122 8282  
Email [info@thebluebook.co.uk](mailto:info@thebluebook.co.uk)  
Online search, specify & CAD: [www.thebluebook.co.uk](http://www.thebluebook.co.uk)

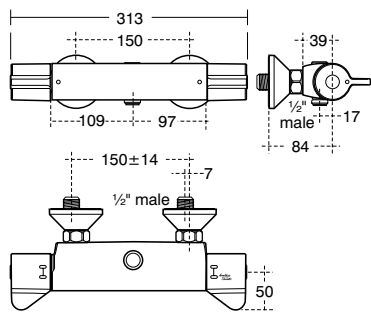
Armitage  
Shanks

## Showers

# Contour 21

## wall mounted exposed shower mixer

A stylish wall mounted exposed thermostatic fail safe shower with built-in safety stop feature. Small lever operated. Suitable for high and low pressure systems.



November 2017	
Uniclass PR_40_20	CAWS N13
C/S/F/B	(74)

ARMITAGE SHANKS

Automatic safety shut off

Small lever dual control

Sealed wall escutcheons

### Illustrated

**A4127** Contour 21 thermostatic exposed shower mixer

### Material

Chrome Plated Metal

### Weight

3.0kg

### Finishes

Chrome (AA)

### Special notes

Flow rate 7.5 litres per minute at 0.2 bar.

30 litres per minute at 3 bar.

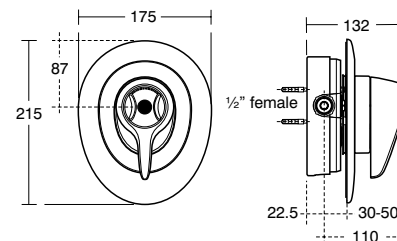
WRAS NO. 1212017

## Showers

# CTV

## built-in shower mixer with extended lever

Built-in thermostatic shower mixer with extended lever concentric control. Ideal for both domestic and commercial installations, the valve offers precise temperature control which remains constant when the water pressure varies. The valve will operate on very different inlet pressures (5:1).



November 2017	
Uniclass PR_40_20	CAWS N13
C/S/F/B	(74)

ARMITAGE SHANKS

Extended easy use lever

Temperature safety stop

### Illustrated

**A3085** CTV EL built-in concentric thermostatic mixer with extended lever

### Material

Chrome Plated Metal

### Weight

2.8kg

### Finishes

Chrome (AA)

### Special notes

Operating pressures from 0.1 to 5.0 bar.

Suitable for unbalanced systems up to 5:1.

Suitable for rising or falling supplies. Inlets

and outlet screwed 1/2" BSP male.

Flow rate 7.5 litres per minute at 0.1 bar.

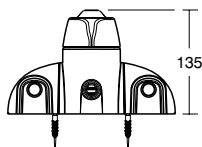
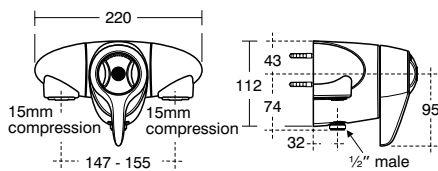
WRAS NO. 1612051



## CTV

## exposed shower mixer with extended lever

Exposed thermostatic shower mixer with extended lever concentric control. Ideal for both domestic and commercial installations, the valve offers precise temperature control which remains constant when the water pressure varies. The valve will operate on very different inlet pressures (5:1).



November 2017	
Uniclass PR_40_20	CAWS N13
C/S/F/B	(74)

ARMITAGE SHANKS

Extended easy use lever

Temperature safety stop

**Illustrated**

**A3084** CTV exposed concentric thermostatic mixer with extended lever

**Material**

Chrome Plated Metal

**Weight**

2.0kg

**Finishes**

Chrome (AA)

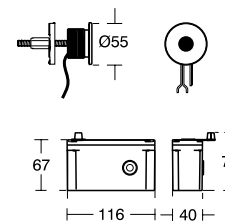
**Special notes**

Operating pressures from 0.1 to 5.0 bar. Suitable for unbalanced systems up to 5:1. Suitable for rising or falling supplies. Inlets 15mm compression. Flow rate 7.5 litres per minute at 0.1 bar. WRAS NO. 1611051

## Sensorflow 21

## Electronic Shower Valve and Sensor

Sensorflow 21 range offers every type of sensing brassware. Basin or wall mounted with integral sensor and tubular wall spouts with remote sensor. Mains powered (transformer) with option to link up to 5 multi box units per main unit.



November 2017	
Uniclass PR_40_20	CAWS N13
C/S/F/B	(74)

ARMITAGE SHANKS

Commercial use

Hygienic "no touch operation"

Link versions

**Illustrated**

**A4185** Sensorflow 21 Electronic concealed shower valve and sensor, mains transformer

**Material**

Chrome Plated Metal

**Weight**

1.6kg

**Finishes**

Chrome (AA)

**Options**

**A4186** Sensorflow 21 Electronic concealed shower valve and sensor, link box

**Special notes**

Designed to be supplied with pre-mixed water. Consideration should be given to safe hot water delivery and the use of an appropriate temperature reduction device see A5900 or Part G for guidance. A4185 mains sensor can have up to 5 multi-box sensors linked



7 : 1 : 10

Tel 0870 122 8822 Fax 0870 122 8282  
Email [info@thebluebook.co.uk](mailto:info@thebluebook.co.uk)  
Online search, specify & CAD: [www.thebluebook.co.uk](http://www.thebluebook.co.uk)

Armitage  
Shanks

Tel 0870 122 8822 Fax 0870 122 8282  
Email [info@thebluebook.co.uk](mailto:info@thebluebook.co.uk)  
Online search, specify & CAD: [www.thebluebook.co.uk](http://www.thebluebook.co.uk)



7 : 1 : 11

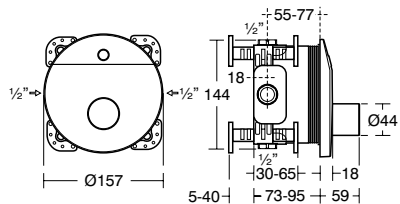
Armitage  
Shanks



# Sensorflow Wave

## built-in shower mixer with set temperature (mains)

A range of sensor operated fittings with touch free operation to satisfy the demand for hygiene and water saving. Range includes rim mounted basin spouts and mixers, wall mounted thermostatic basin mixers and built-in thermostatic shower mixers. Available in mains and battery variants, with and without user adjustable temperature. Adjustable run time and automatic purge (frequency and duration).



November 2017	
Uniclass PR_40_20	CAWS N13
C/S/F/B	(74)

ARMITAGE SHANKS

[Thermostatic temperature control](#)

[Thermal disinfection facility](#)

[Mains and battery versions](#)

[Double water sealing](#)

[Tool required for](#)

[temperature adjustment](#)

[Easybox for simple installation](#)

[Top or bottom outlet](#)

### Illustrated

**A6175** Sensorflow Wave thermostatic built-in shower mixer with set temperature (mains)

### Material

Chrome Plated Metal

### Weight

3.70 kg

### Finishes

Chrome (AA)

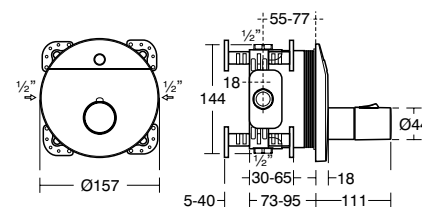
### Special notes

Includes Easybox plastic installation box with double water sealing. Auto purge facility with frequency adjustable from 6 to 72 hours and run time up to 4 minutes. Optional remote control programmer F960970NU.

# Sensorflow Wave

## built-in shower mixer (mains)

A range of sensor operated fittings with touch free operation to satisfy the demand for hygiene and water saving. Range includes rim mounted basin spouts and mixers, wall mounted thermostatic basin mixers and built-in thermostatic shower mixers. Available in mains and battery variants, with and without user adjustable temperature. Adjustable run time and automatic purge (frequency and duration).



November 2017	
Uniclass PR_40_20	CAWS N13
C/S/F/B	(74)

ARMITAGE SHANKS

[Thermostatic temperature control](#)

[Temperature safety button](#)

[Mains and battery versions](#)

[Double water sealing](#)

[User temperature adjustment](#)

[Easybox for simple installation](#)

[Top or bottom outlet](#)

### Illustrated

**A6173** Sensorflow Wave thermostatic built-in shower mixer (mains)

### Material

Chrome Plated Metal

### Weight

3.70 kg

### Finishes

Chrome (AA)

### Special notes

Includes Easybox plastic installation box with double water sealing. Auto purge facility with frequency adjustable from 6 to 72 hours and run time up to 4 minutes. Optional remote control programmer F960970NU.



7 : 1 : 12

Armitage  
Shanks

Tel 0870 122 8822 Fax 0870 122 8282  
Email [info@thebluebook.co.uk](mailto:info@thebluebook.co.uk)  
Online search, specify & CAD: [www.thebluebook.co.uk](http://www.thebluebook.co.uk)

Tel 0870 122 8822 Fax 0870 122 8282  
Email [info@thebluebook.co.uk](mailto:info@thebluebook.co.uk)  
Online search, specify & CAD: [www.thebluebook.co.uk](http://www.thebluebook.co.uk)

7 : 1 : 13

Armitage  
Shanks

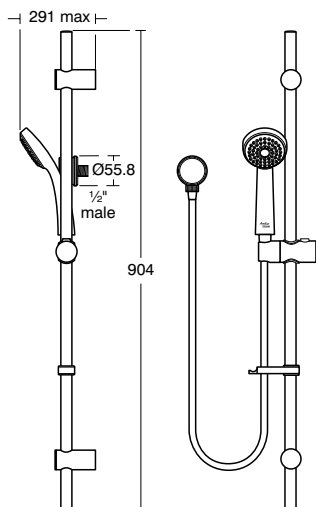
# Showers

## Valves and Fittings

## Kits and Fixed Heads

# Armaglide 2 shower kits

Armaglide 2 with single or 3 function handspray, 900mm rail and 1800mm smooth Idealflex hose. Includes wall elbow and hose retaining ring.



November 2017	
Uniclass PR_40_20	CAWS N13
C/S/F/B	(74)

## ARMITAGE SHANKS

Domestic and commercial use  
8 litres per minute flow restrictor  
Wall elbow  
Easy to install and maintain  
Smooth Idealflex hose  
Adjustable wall fixings on rail  
Category 5 hose retainer

### Illustrated

**B9306** Armaglide 2 shower kit with single function handspray, 900mm rail and 1800mm smooth hose and category 5 hose retainer

### Material

Chrome Plated Metal

### Weight

1.7kg

### Finishes

Chrome (AA)

### Options

**B9307** Armaglide 2 shower kit with 3 function handspray, 900mm rail 1800mm smooth hose and category 5 hose retainer

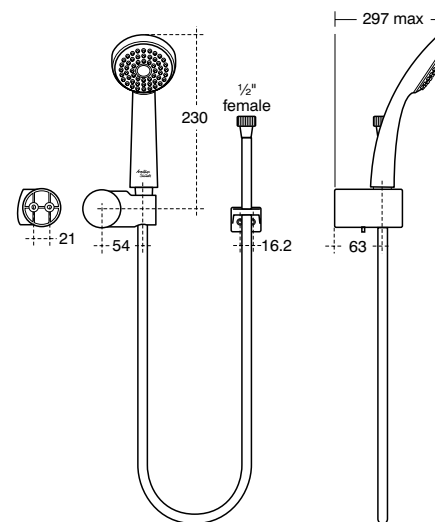
### Special notes

Regulated flow rate 8 litres per minute.  
Unregulated flow rate 5.5 litres per minute at 1 bar.



# Armaglide 2 shower sets

Armaglide 2 shower set with single or 3 function handsprays and 1800mm smooth Idealflex hose. Includes wall mounted handspray holder and hose retaining ring.



November 2017	
Uniclass PR_40_20	CAWS N13
C/S/F/B	(74)

## ARMITAGE SHANKS

Domestic and commercial use  
8 litres per minute flow restrictor  
Wall mounted handspray holder  
Easy to install and maintain  
Smooth Idealflex hose  
Category 5 hose retainer

### Illustrated

**B9308** Armaglide 2 shower set with single function handspray, 1800mm smooth hose, wall mounted holder and category 5 hose retainer

### Material

Chrome Plated Metal

### Weight

1.0kg

### Finishes

Chrome (AA)

### Options

**B9309** Armaglide 2 shower set with 3 function handspray, 1800mm smooth hose, wall mounted holder and category 5 hose retainer

### Special notes

Regulated flow rate 8 litres per minute.  
Unregulated flow rate 5.5 litres per minute at 1 bar.

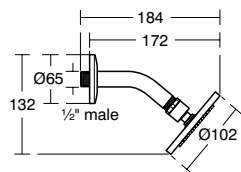


## Showers

# Idealrain

## S1 rainshower with angled arm

Idealrain rainshower with swivel head and short angled arm.



November 2017	
Uniclass PR_40_20	CAWS N13
C/S/F/B	(74)

### IDEAL STANDARD

Domestic and commercial use

Swivel head

Removable 12 litres per minute

Eco flow regulator

For concealed supply

#### Illustrated

**B9436** Idealrain S1 rainshower fixed 100mm shower head with short angled arm

#### Material

Chrome Plated Metal

#### Weight

0.5kg

#### Finishes

Chrome (AA)

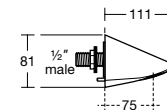
#### Special notes

Regulated flow rate 12 litres per minute.  
Unregulated flow rate 5.7 litres per minute at 0.1 bar.

## Showers

# Anti Vandal fixed shower heads

Fixed shower heads for use where anti vandal is an essential requirement. Solid wall demountable for concealed or exposed inlet and panel mounted back nut versions available.



November 2017	
Uniclass PR_40_20	CAWS N13
C/S/F/B	(74)

### ARMITAGE SHANKS

Commercial use

8 litres per minute Eco flow regulator fitted and 6 litres per minute supplied

Bottom or back inlet alternatives

Solid wall demountable

Panel back nut back inlet version

Suitable for 15mm pipe

#### Illustrated

**A5452** Anti vandal fixed shower head, panel mounted back inlet

#### Material

Chrome Plated Metal

#### Weight

1.1kg

#### Finishes

Chrome (AA)

#### Options

**A4672** Anti vandal shower head, back inlet, solid wall fixing, demountable for easy cleaning.

**A5451** Anti vandal shower head, bottom inlet, solid wall fixing, demountable for easy cleaning.

#### Special notes

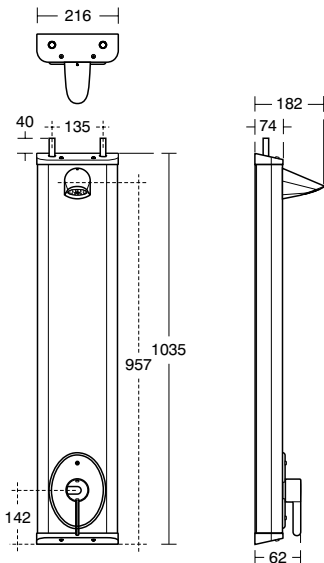
Regulated flow rate either 6 or 8 litres per minute. Unregulated flow rate 5 litres per minute at 1 bar.



# Kirn

## shower panel

Pre plumbed shower panel with the option of push button self-closing on/off valve or lever operated thermostatic mixing valve. Easy to install, it also allows easy access for future maintenance. Ideal for high usage/ high risk areas such as schools, leisure centres, prisons and many more.



November 2017	
Uniclass PR_40_20	CAWS N13
C/S/F/B	(74)

### ARMITAGE SHANKS

#### Pre plumbed

Thermostatic option uses TMV3 approved valve A4129AA

#### Easy to install

#### Illustrated

**S7872** Kirn wall mounted stainless steel shower panel with thermostatic lever operated shower valve

#### Material

Stainless Steel

#### Weight

11.0kg

#### Finishes

Stainless Steel (MY)

#### Standards

Manufactured from 1.2mm Stainless Steel (back plate is 1.5mm) to 1.4301 (304) to BSEN 10088: Part2:2005. Back Plate is 3.0mm

#### Options

**S7873** Kirn wall mounted stainless steel shower panel with anti vandal shower head and self-closing push button shower valve

#### Special notes

Thermostatic version uses included a TMV3 approved valve A4129AA. Shower valve and fixed head are both WRAS approved.



# Urinals



Bowls	8:1:1
Troughs & Slabs	8:2:1
Fittings	8:3:1

## Icon key

-  Residential
-  Public Places
-  Water Savings
-  Hospitals & Healthcare
-  Disabled Access
-  Doc M Compliant
-  Education
-  Spacesaving
-  Hotels
-  Anti-vandal

November 2017

Uniclass PR_40_20	CAWS N13
CI/SFB	(74)

November 2017

Uniclass PR_40_20	CAWS N13
CI/SFB	(74)

# Urinals

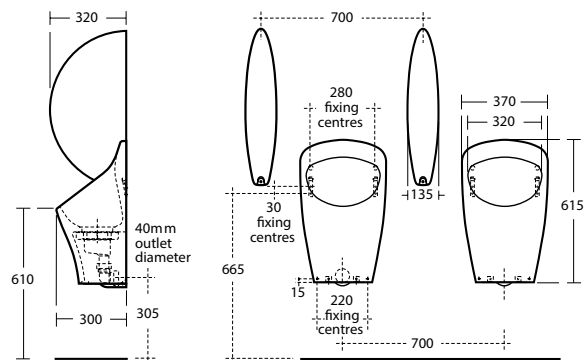
## Bowls

## Urinals

## Aridian

## 60 waterless bowl

Vitreous china waterless bowl urinal with shrouded outlet and special cartridge. Saves water, can reduce maintenance costs, is easy to install and requires no cistern or flushpipe.



November 2017	
Uniclass PR_40_20	CAWS N13
C/S/F/B	(74)

ARMITAGE SHANKS

Shrouded outlet

Potential saving  
(87,000 litres pa\*)

Cost saving

Hygienic

WRAS approved

**Illustrated**

**56321** Aridian vitreous china waterless bowl urinal, shrouded outlet, renewable cartridge with outlet adapter, fixing hangers and toggle bolts

**Material**

Vitreous China

**Weight**

Urinal 18.8kg

**Finishes**

Available in White (01)

**Standards**

Vitreous china to BS 3402

**Options****56282** Waterless urinal cartridge - single**56120** Urinal division Vitreous China with hanger and screws**56283** Waterless urinal cartridge - box of 32**Special notes**

Cartridges last for approximately 7,000 uses and are available single - 56282 or box of 32 - 56283. Installers must ensure that urinals are connected to waste pipe systems which are adequately vented. \*Estimated potential saving for a single bowl, per year based on conventional urinal flushing, 24 hours per day, 365 days per year



8 : 1 : 2

Tel 0870 122 8822 Fax 0870 122 8282

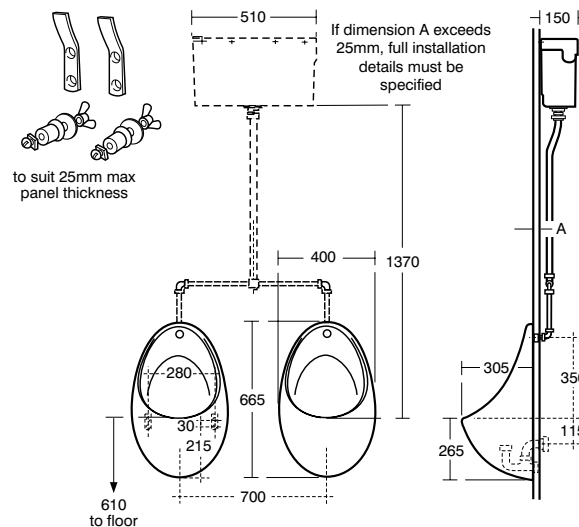
Email [info@thebluebook.co.uk](mailto:info@thebluebook.co.uk)Online search, specify & CAD: [www.thebluebook.co.uk](http://www.thebluebook.co.uk)

## Urinals

## Contour

## 67 bowl for urinal spreader

Wall urinals and divisions in vitreous china specially designed for ducted services with all service connections completely concealed. Particularly appropriate for anti vandal installations.



Urinals for junior use should be set at 510mm from floor to lip of bowl



8 : 1 : 3

Tel 0870 122 8822 Fax 0870 122 8282

Email [info@thebluebook.co.uk](mailto:info@thebluebook.co.uk)Online search, specify & CAD: [www.thebluebook.co.uk](http://www.thebluebook.co.uk)

November 2017

November 2017	
Uniclass PR_40_20	CAWS N13
C/S/F/B	(74)

ARMITAGE SHANKS

Concealed connections

Designed for ducted services

Vandal resistant applications

Easy clean design

**Illustrated**

**56110** Contour urinal in vitreous china, 67cm, concealed

**58850** Waste 1½" plastic domed strainer waste, 45mm unslotted tail**58970** Trap 1½" plastic P with 75mm seal, multi-purpose outlet suitable for plastic and BS copper pipe**59275** Urinal concealed hangers, Steel**56286** Spreader, back inlet for vitreous china urinal**59276** Toggle bolts to suit maximum 25mm panel thickness**Material**

Vitreous China

**Weight**

67cm Urinal 16.0kg

**Finishes**

Available in White (01)

**Standards**

Vitreous china to BS 3402

**Options****56120** Urinal division Vitreous China with hanger and screws**58770** Waste 1½" strainer waste brass with stainless steel dome**Special notes**

See auto cistern and flush pipe selector page, for selection of multi bowl and pipework ranges. For sensor flush see Sensorflow 21 urinal flushing device page

Armitage  
ShanksArmitage  
Shanks

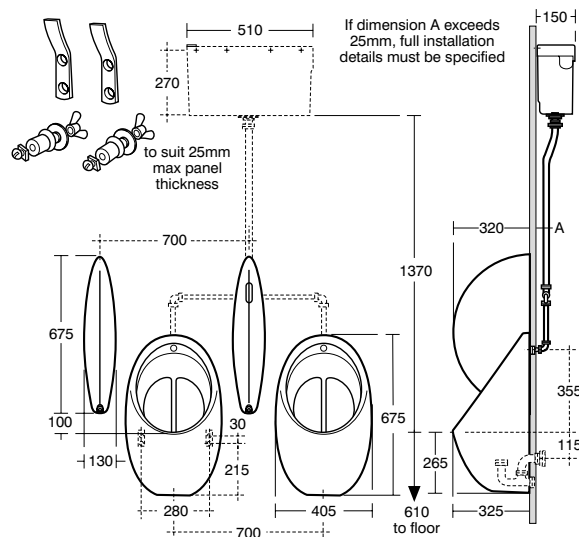


## Urinals

# Contour HygenIQ

## 67 bowl urinal for spreader

Contour hygenIQ urinal, for a cleaner, healthier washroom. Unique fin design reduces splashing by 90% reducing contamination on users clothes and surrounding washroom surfaces. A breakthrough in washroom hygiene.



Urinals for junior use should be set at 510mm from floor to lip of bowl

November 2017	
Uniclass PR_40_20	CAWS N13
C/SFB	(74)

ARMITAGE SHANKS

Concealed connections

Easier clean design

Simple installation

Vandal resistant applications

Splash reducing designs

### Illustrated

**S6119** Contour HygenIQ urinal  
67cm, concealed

**S8849** HygenIQ plastic splash reducing waste,  
50mm unslotted tail

**S8970** Trap 1½" plastic P with 75mm seal,  
multi-purpose outlet suitable for plastic and BS  
copper pipe

**S9275** Urinal concealed hangers, Steel

**S6286** Spreader, back inlet for vitreous  
china urinal

**S9276** Toggle bolts to suit maximum 25mm  
panel thickness

### Material

Vitreous China

### Weight

Urinal 18.5kg

### Finishes

Available in White (01)

### Standards

Vitreous china to BS 3402

### Options

**S6120** Urinal division Vitreous China with  
hanger and screws

**S8770** Waste 1½" strainer waste brass with  
stainless steel dome

### Special notes

See auto cistern and flush pipe selector page,  
for selection of multi bowl and pipework  
ranges. For sensor flush see Sensorflow 21  
urinal flushing device page

*Matches original Contour urinal footprint for  
replacement purposes*

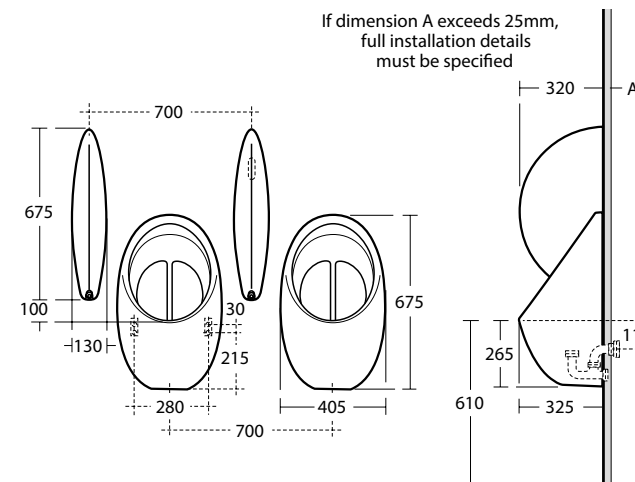


## Urinals

# Contour HygenIQ

## 67 waterless bowl

Contour HygenIQ concealed urinal fitted with Aquanil™ waterless cartridge system. HygenIQ design reduces splash by 90%. Saves water and requires no cistern or flush pipe.



Tel 0870 122 8822 Fax 0870 122 8282

Email [info@thebluebook.co.uk](mailto:info@thebluebook.co.uk)

Online search, specify & CAD: [www.thebluebook.co.uk](http://www.thebluebook.co.uk)

8 : 1 : 5



November 2017	
Uniclass PR_40_20	CAWS N13
C/SFB	(74)

ARMITAGE SHANKS

Concealed connections

Easier clean design

Simple installation

Vandal resistant applications

Splash reducing designs

### Illustrated

**S0043** Contour HygenIQ 67cm waterless  
urinal bowl, concealed waste with  
Aquanil technology

**S9275** Urinal concealed hangers, Steel

### Material

Vitreous China

### Weight

Urinal 18.5kg

### Finishes

Available in White (01)

### Standards

Vitreous china to BS 3402

### Options

**S6120** Urinal division Vitreous China with  
hanger and screws

### Special notes

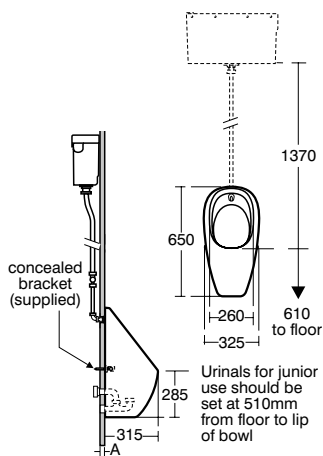
*Matches original Contour urinal footprint for  
replacement purposes*

## Urinals

## Profile 21

## 65 bowl urinal for spreader

Wall Urinal designed for panel mounting or ducted area, with all service connections concealed.



If dimension A exceeds 25mm, full installation details must be supplied

November 2017	
Uniclass PR_40_20	CAWS N13
C/S/F/B	(74)

## ARMITAGE SHANKS

Concealed connections

Fixing set included

Vandal Resistant

Designed for ducted services

**Illustrated**

**E5704** Profile 21 urinal bowl for spreader, top or back inlet

**S8850** Waste 1½" plastic domed strainer waste, 45mm unslotted tail

**S8970** Trap 1½" plastic P with 75mm seal, multi-purpose outlet suitable for plastic and BS copper pipe

**S9275** Urinal concealed hangers, Steel

**S6286** Spreader, back inlet for vitreous china bowl urinal

**S9276** Toggle bolts to suit maximum 25mm panel thickness

**Material**

Vitreous China

**Weight**

Urinal 18.5kg

**Finishes**

Available in White (01)

**Standards**

Vitreous china to BS 3402

**Options**

**S6120** Urinal division Vitreous China with hanger and screw

**S8770** Waste 1½" strainer waste brass with stainless steel dome

**Special notes**

See auto cistern and flush pipe section of multi bowl and pipework ranges. For Sensorflow 21 urinal flushing device page. Fixation to wall with concealed L shaped bracket supplied.



8 : 1 : 6

Tel 0870 122 8822 Fax 0870 122 8282

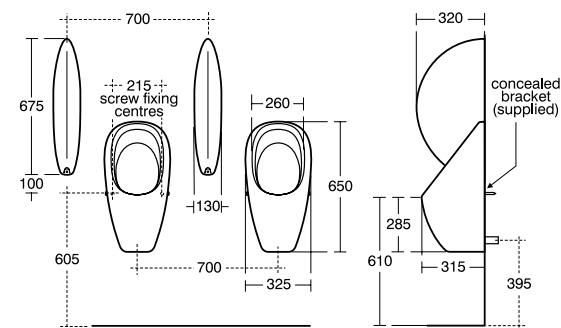
Email [info@thebluebook.co.uk](mailto:info@thebluebook.co.uk)Online search, specify & CAD: [www.thebluebook.co.uk](http://www.thebluebook.co.uk)

## Urinals

## Profile 21

## 65 waterless

Vitreous china waterless urinals with concealed outlet fitted with Aquanil™ waterless cartridge system. Saves water and requires no cistern or flush pipe.



Urinals for junior use should be set at 510mm from floor to lip of bowl

November 2017	
Uniclass PR_40_20	CAWS N13
C/S/F/B	(74)

## ARMITAGE SHANKS

Concealed connections

Vandal Resistant

Fixing set included

**Illustrated**

**E5703** Profile 21 65cm waterless urinal bowl, concealed waste with Aquanil technology

**S9275** Urinal concealed hangers, Steel

**Material**

Vitreous China

**Weight**

Urinal 16.7kg

Waste 0.20kg

Trap 1.00kg

Spreader 0.01kg

Concealed hangers 1.00kg

**Finishes**

Available in White (01)

**Standards**

Vitreous china to BS 3402

**Options**

**S6120** Urinal division Vitreous China with hanger and screw

**Special notes**

Fixation to wall with concealed L Shaped bracket supplied.



8 : 1 : 7

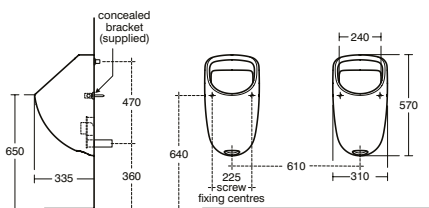
Tel 0870 122 8822 Fax 0870 122 8282

Email [info@thebluebook.co.uk](mailto:info@thebluebook.co.uk)Online search, specify & CAD: [www.thebluebook.co.uk](http://www.thebluebook.co.uk)

# Profile 21

## 57 rimmed back inlet urinal bowl

Rim urinal with flushing provided from mains feed. Not suitable for flushing from a cistern.



November 2017	
Uniclass PR_40_20	CAWS N13
C/SFB	(74)

ARMITAGE SHANKS

Fully concealed  
Easy clean design  
Flushed from mains water  
Sensor flush  
WRAS approval

### Illustrated

**E5701** Profile 21 rimmed back inlet urinal bowl

**A7001** Sensorflow 21 electronic urinal flushing valve with sensor, mains

**E6227** Urinal syphon connector with 75mm water seal, and 40mm outlet

**K7106** Urinal connecting set

### Material

Vitreous China

### Weight

Urinal 15.00kg

Electronic flushing valve 1.90kg

Urinal syphon 0.50kg

Urinal connecting set 0.09kg

### Finishes

Available in White (01)

### Standards

Vitreous china to BS 3402

### Options

**S6120** Urinal division Vitreous China with hanger and screw

### Special notes

Please click the (Specify this) button then configure the bowl by adding one of the sensor flow 21 electronic urinal flushing products. Mains version can power up to 5 link flushing valves or the battery versions can be independent. Please refer to Sensorflow 21 compact flushing device pages, then add as many urinal assembly types: Mains/linked battery as needed in the room schedule. Not suitable for flushing from a cistern and nominal working mains water pressure needed is 3 bar. Urinal fixed to wall with fixation set provided.



Tel 0870 122 8822 Fax 0870 122 8282

Email [info@thebluebook.co.uk](mailto:info@thebluebook.co.uk)

Online search, specify & CAD: [www.thebluebook.co.uk](http://www.thebluebook.co.uk)

8 : 1 : 8

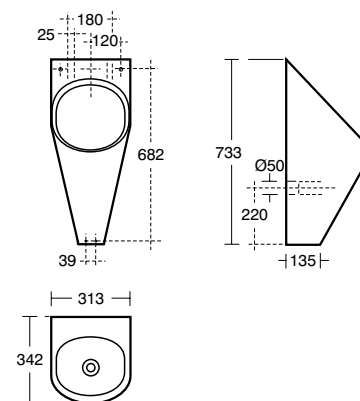


Armitage  
Shanks

# Tay

## stainless steel bowl urinal - concealed supply

Wall urinal in polished stainless steel, for concealed flushpipes, see alternatives for exposed flushpipes.



November 2017	
Uniclass PR_40_20	CAWS N13
C/SFB	(74)

ARMITAGE SHANKS

Concealed or exposed options  
Stainless steel  
Wall mounted urinal  
Vandal resistant applications

### Illustrated

**S6399** Tay wall urinal complete with back inlet spreader, waste, trap and screw to wall fixing

### Material

Stainless steel

### Weight

Urinal 5.00kg

### Finishes

Available in Stainless steel finish (MY)

### Special notes

Specify if earthing tag is required. See auto cistern and flush pipe selector page for selection of multi bowl and pipework ranges. For sensor flush see Sensorflow 21 urinal flushing device page.



Tel 0870 122 8822 Fax 0870 122 8282

Email [info@thebluebook.co.uk](mailto:info@thebluebook.co.uk)

Online search, specify & CAD: [www.thebluebook.co.uk](http://www.thebluebook.co.uk)

8 : 1 : 9

Armitage  
Shanks

## Urinals

## Sandringham

## 36 Urinal Bowl for spreader

Wall urinal in vitreous china for concealed or exposed plumbing.

November 2017	
Uniclass PR_40_20	CAWS N13
C/SFB	(74)

ARMITAGE SHANKS

## Wall mounted urinal

For concealed or exposed options

## Illustrated

- S6103** Sandringham wall bowl urinal
- S8850** Waste 1½" plastic domed strainer waste, 45mm unslotted tail
- S8915** Trap 1½" plastic bottle with 75mm seal
- S9275** Urinal concealed hangers, Steel
- S6265** Spreader, back inlet Sandringham

## Material

Vitreous China

## Weight

Urinal 7.5kg

## Finishes

Available in White (01)

## Standards

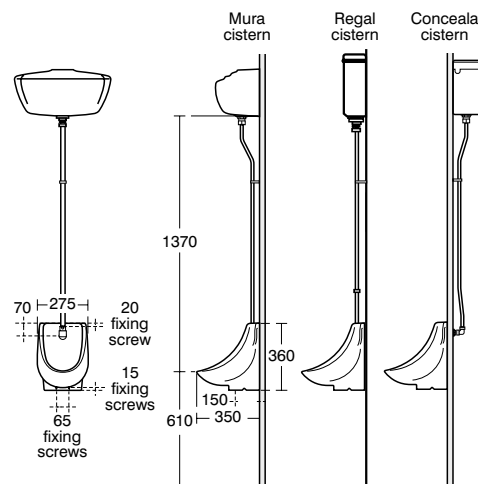
Vitreous china to BS 3402

## Options

- S6120** Urinal division Vitreous China with hanger and screw
- S6266** Spreader top inlet Sandringham
- S8770** Waste 1½" strainer waste brass with stainless steel dome

## Special notes

See auto cistern and flush pipe selector page, for selection of multi bowl and pipework ranges. For sensor flush see Sensorflow 21 urinal flushing device page



## Urinals

## Sanura

## 50 - 40

Wall urinal in vitreous china for exposed plumbing. Available in 2 sizes and so particularly suitable for combined adult and junior installations.

November 2017	
Uniclass PR_40_20	CAWS N13
C/SFB	(74)

ARMITAGE SHANKS

## Wall mounted urinal

Vitreous china

Two sizes

Concealed and exposed options

## Illustrated

- S6100** Sanura 50cm urinal bowl
- S8850** Waste 1½" plastic domed strainer waste, 45mm unslotted tail
- S8925** Trap 1½" plastic bottle with 75mm seal
- S9275** Urinal concealed hangers, Steel
- S6285** Spreader top inlet for Vitreous China bowl urinal, exposed

## Material

Vitreous China

## Weight

50cm Bowl Urinal 11.3kg  
40cm Bowl Urinal 8.5kg

## Finishes

Available in White (01)

## Standards

Vitreous china to BS 3402

## Options

- S6105** Sanura 40cm wall urinal
- S6120** Urinal division Vitreous China with hanger and screw
- S6286** Spreader, back inlet for vitreous china bowl urinal
- S8770** Waste 1½" strainer waste brass with stainless steel dome

## Special notes

See auto cistern and flush pipe selector page, for selection of multi bowl and pipework ranges. For sensor flush see Sensorflow 21 urinal flushing device page



Urinals for junior use should be set at 510mm from floor to lip of bowl



## Urinals

## Sanura HygenIQ

50 - 40

Sanura HygenIQ urinal, for a cleaner, healthier washroom. Unique fin design reduces splashing by 90% reducing contamination on users clothes and surrounding washroom surfaces. A breakthrough in washroom hygiene.



November 2017	
Uniclass PR_40_20	CAWS N13
CISFB (74)	

ARMITAGE SHANKS

Wall mounted urinal  
Concealed and exposed options  
Splash reducing design

**Illustrated**

**56118** Sanura HygenIQ 50cm wall urinal  
**58849** HygenIQ plastic splash reducing waste, 50mm unslotted tail  
**58925** Trap 1½" plastic resealing bottle with 75mm seal, multi-purpose outlet  
**59275** Urinal concealed hangers, Steel  
**56286** Spreader, back inlet for vitreous china bowl urinal

**Material**

Vitreous China

**Weight**

50cm Wall urinal 13.5kg  
40cm Wall urinal 10.5kg

**Finishes**

Available in White (01)

**Standards**

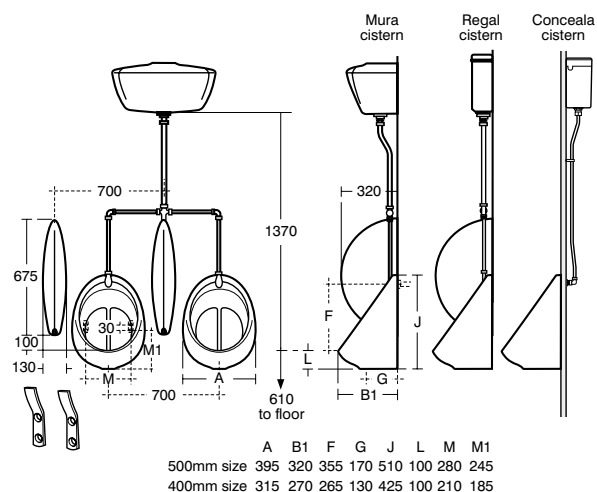
Vitreous china to BS 3402

**Options**

**56117** Sanura Hygeniq 40cm wall urinal  
**56120** Urinal division Vitreous China with hanger and screw  
**56285** Spreader, top inlet for vitreous china bowl urinal

**Options**

See auto cistern and flush pipe selector page, for selection of multi bowl and pipework ranges. For sensor flush see Sensorflow 21 urinal flushing device page



Urinals for junior use should be set at 510mm from floor to lip of bowl



## Urinals

## Sanura HygenIQ

50 - 40 waterless

Water saving makes good environmental and financial sense. That's why we've introduced new waterless options to our market leading urinals. All incorporating Aquanil™, the most advanced water saving technology available.



November 2017	
Uniclass PR_40_20	CAWS N13
CISFB (74)	

ARMITAGE SHANKS

Wall mounted urinal  
Concealed and exposed options  
Splash reducing design  
Vitreous china  
Two sizes

**Illustrated**

**S0044** Sanura HygenIQ 50cm waterless urinal bowl, concealed waste with Aquanil technology

**Material**

Vitreous China

**Weight**

50cm Wall urinal 13.5kg  
40cm Wall urinal 10.5kg

**Finishes**

Available in White (01)

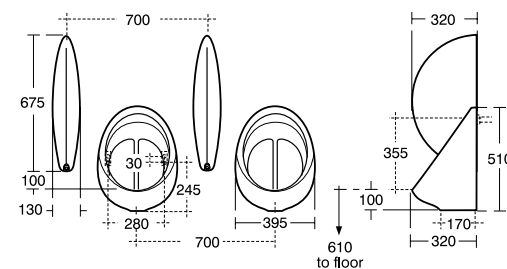
**Standards**

Vitreous china to BS 3402

**Options**

**S0045** Sanura HygenIQ 40cm waterless urinal bowl, concealed waste with Aquanil technology  
**S6120** Urinal division Vitreous China with hanger and screw

**Aquanil™**  
Next generation waterless technology



Urinals for junior use should be set at 510mm from floor to lip of bowl



November 2017	
Uniclass PR_40_20	CAWS N13
CI/SFB	(74)

November 2017	
Uniclass PR_40_20	CAWS N13
CI/SFB	(74)

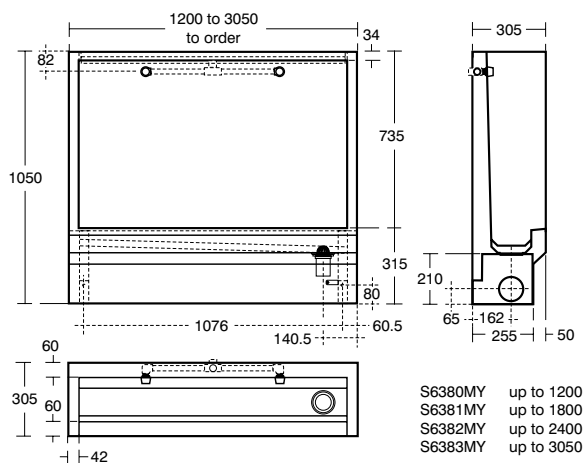
# Urinals

## Troughs and Slabs

## Urinals

## Deveron

Bespoke made to measure floor standing single piece slab urinal in stainless steel with raised integral channel and hinged access panel for above floor waste plumbing. Supplied complete with flushing system.



November 2017	
Uniclass PR_40_20	CAWS N13
C/S/F/B	(74)

## ARMITAGE SHANKS

Bespoke, made to measure  
Concealed or exposed cistern  
Full height trough  
Above floor drainage

## Illustrated

**S6380** Deveron urinal with back inlet spreaders or exposed sparge pipes with downpipe as required, 120cm long with 2" BSP domed strainer waste

## Material

Stainless Steel

## Weight

120cm Trough Urinal 51.5kg  
Trough Urinal up to 305cm long 108.9kg  
Trough Urinal up to 240cm long 84.4kg  
Trough Urinal up to 180cm long 67.9kg

## Finishes

Available in Stainless Steel (MY)

## Standards

Stainless steel conforms to BS EN 10088:Part 2:2005. Urinals to BS 4880: 1973

## Options

**S6381** Deveron urinal with back inlet spreaders or exposed sparge pipes with downpipe as required, up to 180cm long with 2" BSP domed strainer waste

**S6382** Deveron urinal with back inlet spreaders or exposed sparge pipes with downpipe as required, up to 240cm long with 2" BSP domed strainer waste

**S6383** Deveron urinal with back inlet spreaders or exposed sparge pipes with downpipe as required, up to 305cm long with 2" BSP domed strainer waste

## Special notes

When specifying please be aware urinal ranges on 2 or more walls are not available as a 1 piece construction and are joined using stainless steel corner plinths. Urinal comes complete with cisterns and flush pipes



8 : 2 : 2

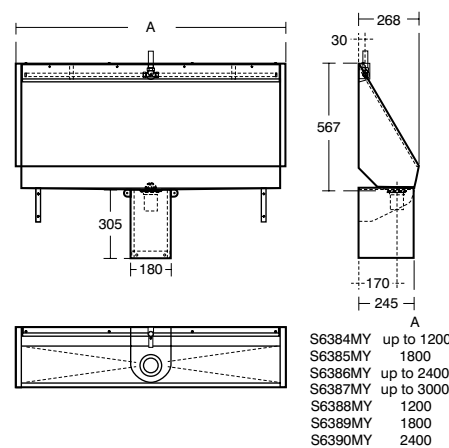
Tel 0870 122 8822 Fax 0870 122 8282

Email [info@thebluebook.co.uk](mailto:info@thebluebook.co.uk)Online search, specify & CAD: [www.thebluebook.co.uk](http://www.thebluebook.co.uk)

## Urinals

## Kinloch

This economically priced trough urinal in stainless steel is available in 3 standard sizes, 120cm, 180cm, and 240cm and made to measure "bespoke" sizes up to 120cm, 180cm, 240cm, and 300mm, all with centre outlets.



November 2017	
Uniclass PR_40_20	CAWS N13
C/S/F/B	(74)

## ARMITAGE SHANKS

Stainless steel  
Bespoke sizes available  
Three sizes  
Cost effective

## Illustrated

**S6388** Kinloch urinal 120cm long complete with 2" domed strainer waste, central outlet, complete with flushpipes and auto cistern

## Material

Stainless Steel

## Weight

120cm Trough Urinal 20.6kg  
Trough Urinal up to 300cm long 68.4kg  
Trough Urinal up to 240cm long 53.2kg  
Trough Urinal up to 180cm long 38.0kg  
240cm Trough Urinal 36.9kg  
180cm Trough Urinal 27.2kg  
Trough Urinal up to 120cm long 21.5kg

## Finishes

Available in Stainless Steel (MY)

## Standards

Manufactured from 1.5mm Stainless Steel 1.4301 (304) to BSEN 10088: part 2: 2005

## Options

**S6389** Kinloch urinal 180cm long complete with 2" domed strainer waste, centre outlet, with flushpipes and auto cistern

**S6390** Kinloch urinal 240cm long complete with 2" domed strainer waste, centre outlet, with pipework and auto cistern

**S6384** Kinloch urinal to special length, up to 120cm long complete with 2" domed strainer waste, central outlet

**S6385** Kinloch urinal to special length, up to 180cm long complete with 2" domed strainer waste, central outlet

**S6386** Kinloch urinal to special length, up to 240cm long complete with 2" domed strainer waste, central outlet

**S6387** Kinloch urinal to special length, up to 300cm long complete with 2" domed strainer waste, central outlet

## Special notes

Kinloch urinal complete with cisterns and flush pipes and central domed strainer waste 2" BSP outlet Knock out inlet position allows pipework to be exposed or concealed. Urinals on 2 or more walls can be joined using S6206MY stainless steel cover strip and S6205MY stainless steel corner plinth.



8 : 2 : 3

Tel 0870 122 8822 Fax 0870 122 8282

Email [info@thebluebook.co.uk](mailto:info@thebluebook.co.uk)Online search, specify & CAD: [www.thebluebook.co.uk](http://www.thebluebook.co.uk)

November 2017	
Uniclass PR_40_20	CAWS N13
CI/SFB	(74)

November 2017	
Uniclass PR_40_20	CAWS N13
CI/SFB	(74)

# Urinals

## Fittings



Urinals

# Auto Cistern and flush pipe selector

- 1 Choose whether you want concealed or exposed cistern and flush pipes.
- 2 Take appropriate code for the cistern and flush pipes depending on the number of bowls being flushed.

November 2017	
Uniclass PR_40_20	CAWS N13
C/SFB	(74)

ARMITAGE SHANKS

Exposed or Concealed  
Suitable for up to 700mm centres

**Special notes**

Kinloch and deveron urinals come complete with cisterns and flushpipes



3 person exposed cistern flush pipes



2 person concealed cistern flush pipes



Mura 13.5 litre ceramic auto cistern



Regal 9 litre plastic auto cistern



Conceala 9 litre auto cistern

Bowl Urinals	1 Person	2 Person	3 Person	4 Person	5 Person
Exposed flush pipes and cisterns for bowls with top inlet spreaders					
Mura ceramic cistern	S620001	S620001	S620101	S620201	S620201
Flush pipes for Mura	S6220MY	S6221MY	S6222MY	S6223MY	S6224MY
Plastic Regal cistern	S621001	S621001	S621101	S621201	S621201
Flush pipes for Regal	S6232MY	S6233MY	S6234MY		
Concealed flush pipes for bowls with back inlet spreaders					
Conceala cistern	S621567	S621567	S621667	S621767	S621767
Flush pipes for Conceala	S6226NU	S622767	S622867	S622967	S623067

Urinals

# Conceala Auto Cistern

Urinal cistern in plastic. Conceala is suitable for fixing on front or back wall of duct.

November 2017	
Uniclass PR_40_20	CAWS N13
C/SFB	(74)

ARMITAGE SHANKS

Plastic urinal cisterns  
For duct fixings  
Three capacities

**Illustrated**

**S6216** Conceala auto cistern 9.0 litre with cover, auto syphon and petcock

**Material**

Plastic

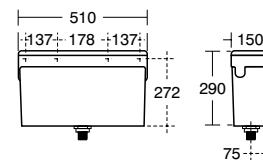
**Weight**

4.5 litre auto cistern 3.0kg

**Options**

**S6215** Conceala auto cistern 4.5 litre with cover, auto syphon and petcock

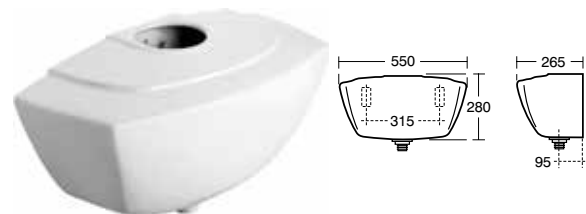
**S6217** Conceala auto cistern 13.6 litre with cover auto syphon and petcock



## Urinals

## Mura Auto Cistern

Vitreous china auto cisterns are designed in one piece with integral cover for easy cleaning and hygiene. Optional lid for access hole if required.



November 2017	
Uniclass PR_40_20	CAWS N13
CUSFB	(74)

ARMITAGE SHANKS

Urinal cisterns

Vitreous china

Optional access hole lid

**Illustrated**

**S6202** Mura 13.6 litre auto cistern with auto syphon, petcock and supports

**Material**

Vitreous china

**Weight**

13.6 litre auto cistern 11.0kg  
9.0 litre auto cistern 8.9kg  
4.4 litre auto cistern 6.5kg

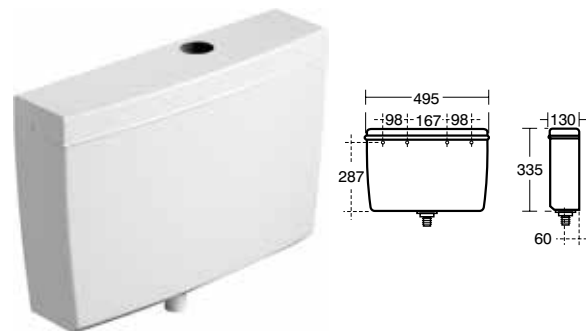
**Options**

**S6200** Mura 4.5 litre auto cistern with auto syphon, petcock and supports  
**S6201** Mura 9.0 litre auto cistern with auto syphon, petcock and supports



## Regal Auto Cistern

Urinal cistern in plastic. Regal is a slim line cistern for exposed installations. Conceala is suitable for fixing on front or back wall of duct.



ARMITAGE SHANKS

Plastic urinal cisterns

Regal slim line

Three capacities

**Illustrated**

**S6211** Regal 9.0 litre auto cistern and cover, auto syphon and petcock

**Material**

Plastic

**Weight**

9.0 litre auto cistern 4.0kg  
13.6 litre auto cistern 4.5kg  
4.5 litre auto cistern 4.0kg

**Options**

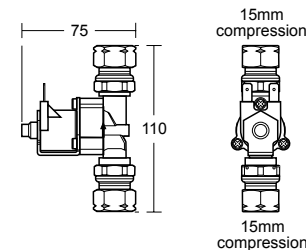
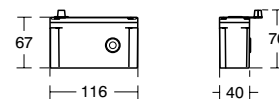
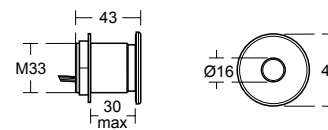
**S6210** Regal 4.5 litre auto cistern and cover, auto syphon and petcock  
**S6212** Regal 13.6 litre auto cistern and cover, auto syphon and petcock



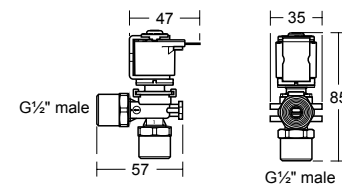
## Urinals

Sensorflow 21  
for mains pressure urinals

Demand for hygiene and water saving is met by a range of no touch urinal controls. A panel mounted sensor detects the user's presence and flushes when they have moved away.



High pressure



Low pressure

November 2017	
Uniclass PR_40_20	CAWS N13
CUSFB	(74)

ARMITAGE SHANKS

Electronic flushing

Hygienic

High and low pressure options

**Illustrated**

**A7001** Sensorflow 21 urinal flush valve, panel mounted-mains, for high pressure installations  
**A7002** Sensorflow 21 urinal flush valve, panel mounted-link, for high pressure installations

**Finish**

(AA) Chrome Plated  
(GN) Brushed Steel

**Material**

Chrome Plated Metal

**Weight**

1.5kg

**Options**

**A7058** Sensorflow 21 urinal flush valve, surface mounted-mains, for low pressure installations  
**A7059** Sensorflow 21 urinal flush valve, surface mounted-link, for low pressure installations



Uniclass PR_40_20	CAWS N13
CI/SFB	(74)

ARMITAGE SHANKS

## Urinals

## Urinal Wastes

Urinal wastes and traps.

Urinals

Fittings



## Plastic strainer

## Brass strainers

**Illustrated**

**S8811** Waste 1¼" plastic strainer, 50mm unslotted tail

**S8850** Waste 1½" plastic domed strainer waste, 45mm unslotted tail

**S8925** Trap 1½" plastic resealing bottle with 75mm seal, multi-purpose outlet

**Material**

Plastic

**Weight**

Waste 1¼" plastic strainer 0.3kg

Waste 1½" plastic domed strainer waste 0.2kg

Trap 1½" plastic resealing bottle 0.3kg

**Options**

**S8770** Waste 1½" strainer waste brass with stainless steel dome

**S8915** Trap 1½" plastic bottle with 75mm seal

**S8849** HygenIQ plastic splash reducing waste, 50mm unslotted tail



# Sinks



Ceramic	9:1:1
Stainless Steel	9:2:1
Fittings	9:3:1

## Icon key

-  Residential
-  Public Places
-  Water Savings
-  Hospitals & Healthcare
-  Disabled Access
-  Doc M Compliant
-  Education
-  Spacesaving
-  Hotels
-  Anti-vandal

November 2017	
Uniclass PR_40_20	CAWS N13
CI/SFB	(74)

November 2017	
Uniclass PR_40_20	CAWS N13
CI/SFB	(74)

# Sinks

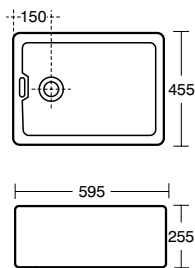
## Ceramic

# Sinks

## Belfast

### 60

The traditional Belfast sink is manufactured from heavy duty fireclay. Its ultimate durability makes it perfect for everyday kitchen use. Its resistance to acids, alkalis and staining means it maintains its pristine appearance and surface finish for a product life-time.



November 2017	
Uniclass PR_40_20	CAWS N13
C/SFB	(74)

ARMITAGE SHANKS

Traditional sink  
Resistant to acids and alkalis  
Hard wearing and durable  
Fireclay

#### Illustrated

- S5803** Belfast 60cm sink (boxed)
- S9219** Brackets build-in Aluminium alloy, 405mm overall, 355mm stud (pair)
- S8915** Trap 1½" plastic bottle with 75mm seal, multi-purpose outlet

#### Material

Fine Fireclay

#### Weight

60x46x26cm 29.0kg

#### Finishes

Available in White (01)

#### Standards

Washbasin to BS EN 14688 & BS EN 31

#### Options

- S8725** Waste 1½" slotted strainer waste, 80mm tail

#### Special notes

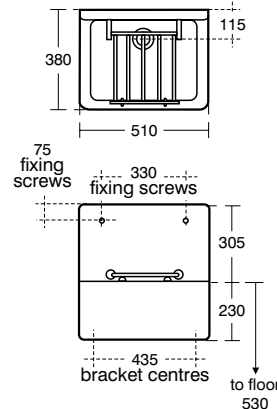
Dimensions of fireclay and ceramic sinks may vary due to natural shrinkage in the manufacturing process, installers are advised not to pre-cut worktops before receipt of sink

# Sinks

## Alder

### 51

Heavy duty cleaners' sink in fireclay, 51cm x 38cm with high splashback and bucket grating. For use in public buildings, schools and hospitals. Legs and bearers are a commonly chosen option to the build-in brackets.



November 2017	
Uniclass PR_40_20	CAWS N13
C/SFB	(74)

ARMITAGE SHANKS

Legs and Bearers or brackets  
Cleaners' sink  
Public building applications  
Splashback  
Bucket grating

#### Illustrated

- S5900** Alder sink 51cm high back and fitted stainless steel bucket grating
- S9101** Domex screws (pair)
- B1457** Alterna 21 ½" quarter turn bib taps
- B1688** Bib tap wall mounts ½" for exposed plumbing (pair)
- S8915** Trap 1½" plastic bottle with 75mm seal, multi-purpose outlet
- S8726** Waste 1½" unslotted strainer waste, 80mm tail, brass
- S9233** Stainless steel legs and aluminium alloy bearers. Legs can be reduced in height on site

#### Material

Fine Fireclay

#### Weight

Sink & Bucket Grating 29.3kg

#### Finishes

Available in White (01)

#### Standards

Washbasin to BS EN 14688 & BS EN 31

#### Options

- B1686** Nimbus 21 concealed bib tap wall mount, self centralising installation, pair
- B1673** Nimbus 21 bib taps ½" anti vandal outlet pair
- S1688** Bib tap wall mounts ½" for concealed plumbing (pair)
- S8915** Trap 1½" plastic bottle with 75mm seal
- A5900** TMV Thermostatic mixing valve 15mm
- S9221** Brackets build-in Aluminium alloy, 355mm overall, 305mm stud (pair)
- S8925** Trap 1½" plastic resealing bottle with 75mm seal, multi-purpose outlet

#### Special notes

Multi-purpose outlet suitable for plastic and BS copper pipe. Consideration may need to be given to safe hot water delivery and the use of an appropriate temperature reduction device see A5900 or Part G for guidance.

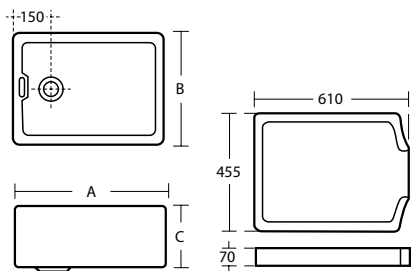


# Sinks

## Belfast

60 - 46

Heavy duty sink in fireclay with weir overflow for commercial applications. Sink is reversible and conforms to BS 1206:1974.



	A	B	C
46cm	460	380	210
61cm	610	460	260

November 2017	
Uniclass PR_40_20	CAWS N13
C/SFB	(74)

ARMITAGE SHANKS

Legs & Bearers or Brackets

Two sizes

Commercial application

Conforms to BS 1206

Reversible drainer

### Illustrated

**S5827** Belfast 60cm sink (unboxed)

**S9250** Leg 650mm stainless steel with screw to wall Aluminium alloy bearer, 405mm overall, 355mm stud (pair).

**S9268** Leg 900mm stainless steel with 405mm screw to wall Aluminium alloy bearer, 355mm stud, for drainer

**B1457** Alterna 21 lever bib taps ½" (pair)

**B1688** Bib tap wall mounts ½" for exposed plumbing (pair)

**S8769** Waste 1½" slotted waste, chain and plug, 90mm tail

**S8915** Trap 1½" plastic bottle with 75mm seal, multi-purpose outlet

**S5835** Belfast drainer plain 61 x 46cm reversible for 61 x 46cm sink

### Material

Fine Fireclay

### Weight

60x46x26cm Sink 29.0kg

46x38x21cm Sink 19.4kg

### Finishes

Available in White (01)

### Standards

Washbasin to BS EN 14688 & BS EN 31

### Options

**S9219** Brackets build-in Aluminium alloy, 405mm overall, 355mm stud (pair)

**S8915** Trap 1½" plastic bottle with 75mm seal

**A5900** TMV Thermostatic mixing valve 15mm

**S8925** Trap 1½" plastic resealing bottle with 75mm seal, multi-purpose outlet

### Special notes

Stainless steel leg can be reduced in height on site. Recommended 900mm legs when used with fireclay drainer. Consideration may be given to safe hot water delivery and the use of an appropriate temperature reduction device see A5900 or Part G for guidance.

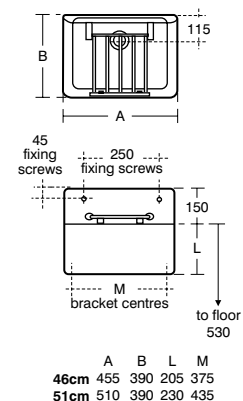


# Sinks

## Birch

51 - 46

Cleaners sink in fireclay, manufactured in two sizes, 51cm and 46cm. For use in public buildings and schools. Legs and bearers are a commonly chosen option to the build-in brackets.



November 2017	
Uniclass PR_40_20	CAWS N13
C/SFB	(74)

ARMITAGE SHANKS

Heavy duty sink

Institutional applications

Two sizes

### Illustrated

**S5920** Birch cleaner's sink 51cm with fitted bucket grating

**B1457** Alterna 21 lever bib taps ½" (pair)

**S9101** Domex screws (pair)

**B1688** Bib tap wall mounts ½" for exposed plumbing (pair)

**S8726** Waste 1½" unslotted strainer waste, 80mm tail, brass

**S9233** Stainless steel legs and aluminium alloy bearers. Legs can be reduced in height on site

### Material

Fine Fireclay

### Weight

51cm Cleaners sink 25.4kg

46cm Cleaners 21.2kg

### Finishes

Available in White (01)

### Standards

Washbasin to BS EN 14688 & BS EN 31

### Options

**S5915** Birch cleaner's sink 46cm with fitted bucket grating

**S9221** Brackets build-in Aluminium alloy, 355mm overall, 305mm stud (pair)

### Special notes

Legs can be reduced in height on site. Consideration may be given to safe hot water delivery and the use of an appropriate temperature reduction device see A5900 or Part G for guidance.



November 2017	
Uniclass PR_40_20	CAWS N13
C/SFB	(74)

November 2017	
Uniclass PR_40_20	CAWS N13
C/SFB	(74)

# Sinks

## Stainless Steel

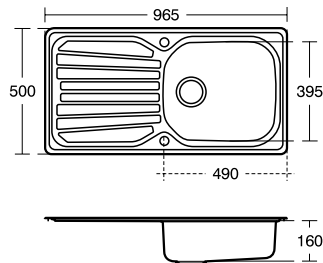


## Sinks

# Sandringham

## Single Bowl

Stylish inset single bowl sink and drainer manufactured from stainless steel. It's compact size makes this sink particularly suitable for installation in studios or other space saving kitchens.



November 2017	
Uniclass PR_40_20	CAWS N13
CISFB (74)	

### ARMITAGE SHANKS

Domestic use  
Modern space saving design  
Reversible  
For basket strainer or waste

#### Illustrated

**S0226** Sandringham Select sink pack, inset stainless steel single bowl and drainer complete with Sandringham single lever 1 taphole mixer, 1½" basket strainer waste

#### Material

Stainless Steel

#### Weight

Sink Pack 7.1kg

#### Finishes

Available in Stainless Steel (MY)

#### Standards

Stainless steel sheet to BS EN 10088:Part 2:2005

#### Options

**S0228** Sandringham Select sink pack, inset stainless steel single bowl and drainer complete with Sandringham dual control sink 1 taphole mixer, ½" basket strainer waste

**S5931** Sandringham Select sink, inset stainless steel single bowl complete with ½" basket strainer waste

#### Special notes

Waste disposal units can be fitted to these sinks. It is however not possible to fit a working drawer below sinks



9 : 2 : 2

Armitage  
Shanks

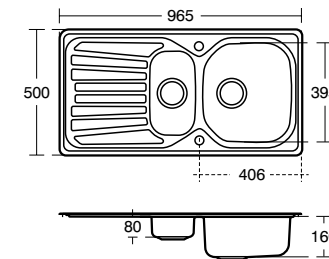
Tel 0870 122 8822 Fax 0870 122 8282  
Email [info@thebluebook.co.uk](mailto:info@thebluebook.co.uk)  
Online search, specify & CAD: [www.thebluebook.co.uk](http://www.thebluebook.co.uk)

## Sinks

# Sandringham

## Single & Half Bowl

Stylish inset single bowl sink and drainer manufactured from stainless steel. It's compact size makes this sink particularly suitable for installation in studios or other space saving kitchens.



November 2017	
Uniclass PR_40_20	CAWS N13
CISFB (74)	

### ARMITAGE SHANKS

Domestic use  
Modern space saving design  
Reversible  
For inset use  
Half bowl drainer

#### Illustrated

**S0229** Sandringham Select sink pack, inset stainless steel 1.5 bowl and drainer complete with Sandringham dual control sink 1 taphole mixer, 1½" basket strainer waste

#### Material

Stainless Steel

#### Weight

Sink Pack 7.17kg  
1.5 Bowl with 1½" basket strain waste 5.0kg

#### Finishes

Available in Stainless Steel (MY)

#### Standards

Stainless steel sheet to BS EN 10088:Part 2:2005

#### Options

**S0227** Sandringham Select sink pack, inset stainless steel 1.5 bowl and drainer complete with Sandringham single lever single lever sink 1 taphole mixer, ½" basket strainer waste

**S5932** Sandringham Select sink, inset stainless steel 1.5 bowl complete with ½" basket strainer waste

#### Special notes

Waste disposal units can be fitted to these sinks. It is however not possible to fit a working drawer below sinks



9 : 2 : 3

Tel 0870 122 8822 Fax 0870 122 8282  
Email [info@thebluebook.co.uk](mailto:info@thebluebook.co.uk)  
Online search, specify & CAD: [www.thebluebook.co.uk](http://www.thebluebook.co.uk)

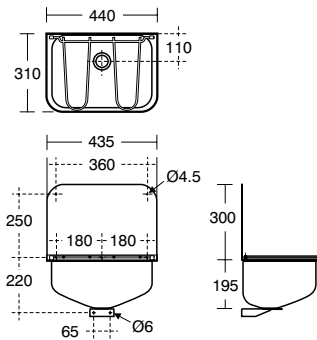
Armitage  
Shanks

## Sinks

# Angus

## 44

General purpose cleaners' sink with 28cm high splashback and bucket grating. Manufactured from 18 gauge stainless steel sheet with satin finish, with earthing tag.



November 2017	
Uniclass PR_40_20	CAWS N13
C/SFB	(74)

## ARMITAGE SHANKS

Cleaners' sink  
Bucket grating  
Stainless steel  
Anti vandal  
28cm high Splashback

**Illustrated**

**S5912** Angus sink, 44cm with 28cm high back, 1½" integral strainer waste and Stainless Steel bucket grating

**B1457** Altera 21 bib taps ½" lever handles, anti vandal outlet pair

**S1686** Bib tap wall mounts ½" for concealed plumbing (pair)

**S8905AA** Trap 1½" bottle with 75mm seal, outlet screwed ½" BSP male with compression nut and ring

**Material**

Stainless Steel

**Weight**

3.5kg

**Finishes**

Available in Stainless Steel (MY)

**Standards**

Stainless steel sheet to BS EN 10088:Part 2:2005

**Options**

**B1673** Nimbus 21 inclined bib taps ½" anti vandal (pair)

**B1688** Bib tap wall mounts ½" for exposed plumbing (pair)

**A5900** TMV Thermostatic mixing valve 15mm

**S8915** Trap 1½" plastic bottle with 75mm seal

**S8925** Trap 1½" plastic resealing bottle with 75mm seal, multi-purpose outlet

**Special notes**

The sink is fixed to wall with 2 screws through the back of the sink and 2 through the waste bracket (screws not supplied). Consideration may need to be given to safe hot water delivery and the use of an appropriate temperature reduction device see A5900 or Part G for guidance.

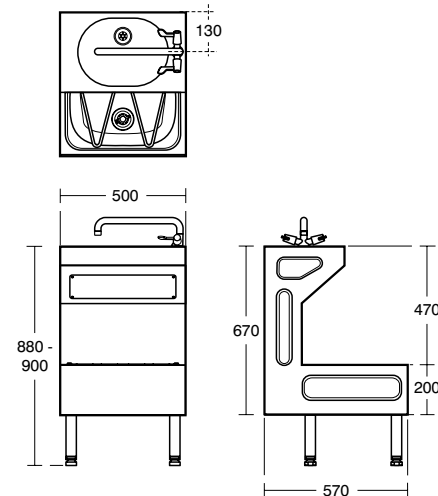


## Sinks

# Janitorial

## 50

Stainless steel Janitorial unit incorporating cleaners sink with bucket grating and handrinse basin, with earthing terminal. Mixer with restricted travel swivel nozzle, small lever handles to meet DDA requirements.



November 2017	
Uniclass PR_40_20	CAWS N13
C/SFB	(74)

## ARMITAGE SHANKS

Combination sink/washbasin  
Restricted travel swivel spout  
Supported on adjustable legs  
Complete with WRAS approved mixer tap  
Stainless steel

**Illustrated**

**S6556** Janitorial unit stainless steel 50cm wide x 60cm projection x 90cm high complete with mixer tap with restricted swivel, tamper proof concealing panel for washbasin trap, hinged bucket grating to sink, stainless steel legs with adjustable feet and earthing tag.

**S8920** Trap 1¼" plastic resealing bottle, 75mm seal

**S8925** Trap 1½" plastic resealing bottle with 75mm seal, multi-purpose outlet

**Material**

Stainless Steel

**Weight**

15.0kg

**Finishes**

Available in Stainless Steel (MY)

**Standards**

Functional Standard: DDA & BS8300 Stainless Steel conforms to BS EN 100088:part 2:2005

**Special notes**

Monoblock mixer is provided with restricted swivel nozzle for use with either handrinse basin or cleaners sink below. Consideration should be given to safe hot water delivery and the use of an appropriate temperature reduction device see A5900 or Part G for guidance. For disposal of liquid waste by domestic staff. Unit is supported on four stainless steel legs with adjustable feet. Holes are provided in back flange to secure to wall

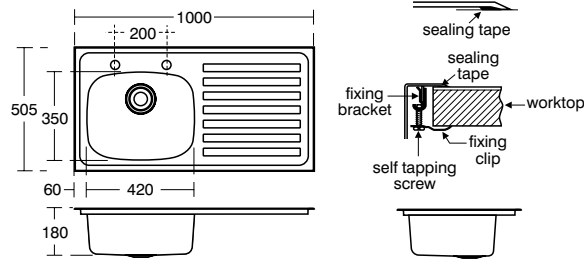


## Sinks

# Stewart Inset Sink

## Single Bowl

Stainless steel inset sink for staff areas.



November 2017	
Uniclass PR_40_20	CAWS N13
C/SFB	(74)

### ARMITAGE SHANKS

Stainless steel  
Right or left hand drainer  
Staff areas  
No overflow

#### Illustrated

**S6006** Stewart inset sink stainless steel single bowl no overflow and right hand drainer 940 x 485mm, 2 tapholes at 200mm centres  
**S8265** Markwik 1/2" high neck pillar taps  
**S8768** Waste 1 1/2" unslotted chain waste, plug and screw stay, 90mm tail  
**S8925** Trap 1 1/2" plastic resealing bottle with 75mm seal, multi-purpose outlet

#### Material

Stainless Steel

#### Weight

10.0kg

#### Finishes

Available in Stainless Steel (MY)

#### Standards

Functional Standard: DDA & BS8300 Stainless Steel conforms to BS EN 100088:part 2:2005

#### Options

**S6005** Stewart inset sink stainless steel single bowl no overflow and left hand drainer 940 x 485mm, 2 tapholes at 200mm centres

#### Special notes

Because this is a more general staff or public area sink, consideration may be given to safe hot water delivery and the use of an appropriate temperature reduction device see A5900 or Part G for guidance.

November 2017	
Uniclass PR_40_20	CAWS N13
C/SFB	(74)

# Sinks

## Fittings



## Wastes

1½" slotted waste, chain and plug, bolt stay.

November 2017	
Uniclass PR_40_20	CAWS N13
C/SFB	(74)

ARMITAGE SHANKS

Unslotted &amp; slotted

Chrome plated/Brass

Bolt stay

**Illustrated**

**S8765** Waste 1½" slotted waste, chain and plug, bolt stay, 90mm tail  
**S8726** Waste 1½" unslotted strainer waste, 80mm tail, brass  
**S8725** Waste 1½" slotted strainer waste, 80mm  
**S8768** Waste 1½" unslotted chain waste, plug and screw stay, 90mm tail

**Material**

Steel/Brass

**Weight****S8765** 0.39kg**Finishes**

Chrome (AA)



ARMITAGE SHANKS

Plastic

Chrome plated

**Illustrated**

**S8915** Trap 1½" plastic bottle with 75mm seal  
**S8925** Trap 1½" plastic resealing bottle with 75mm seal, multi-purpose outlet  
**S8905** Trap 1½" bottle with 75mm seal, outlet screwed ½" BSP male with compression nut and ring

**Material**Plastic  
Chrome Plated Metal**Weight****S8915/S8925** 0.2kg  
**S8905** 0.6kg**Finishes**Neutral / No Finish (67)  
Chrome (AA)

S8915



S8925



S8905

Bib Tap  
Wall Mounts Exposed

1½" wall mounts for bib taps, exposed plumbing (pair)



B1688 (Pair)

November 2017	
Uniclass PR_40_20	CAWS N13
C/SFB	(74)

ARMITAGE SHANKS

Exposed plumbing

Chrome plated

**Illustrated**

**B1688** Bib tap wall mounts exposed (pair)  
**B1682** Bib tap extensions ½" x 75mm long (pair)

**Material**

Chrome Plated Brass

**Weight****B1688** 1.8kg  
**B1682** 1.0kg**Finishes**

Chrome (AA)

**Options****B1684** Bib tap extensions ½" x 100mm long (pair)

## Bottle Traps

(TR2/P) 1½" plastic bottle trap with 75mm seal.

Bib Tap  
Wall Mounts Concealed

1½" wall mounts for bib taps, concealed plumbing



ARMITAGE SHANKS

Concealed plumbing

Chrome plated

**Illustrated**

**B1686** Bib tap wall mounts ½" for concealed plumbing (pair)

**Material**

Chrome Plated Brass

**Weight**

0.8kg

**Finishes**

Chrome (AA)

**Options****B1682** Bib tap extensions ½" x 75mm long (pair)  
**B1684** Bib tap extensions ½" x 100mm long (pair)

# Bib Tap Extensions

Bib tap extensions ½"



**B1682 (Pair)**

November 2017	
Uniclass PR_40_20	CAWS N13
C/SFB (74)	

## ARMITAGE SHANKS

### Build-in brackets

Aluminium alloy

#### Illustrated

**B1682** Bib tap extensions ½" x 75mm long (pair)

#### Finishes

Neutral / No Finish (67)

#### Options

**B1686** Bib tap wall mounts ½" for concealed plumbing (pair)

**B1685** Bib tap wall mounts ½" for concealed plumbing (single)

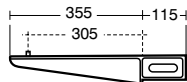
**B1688** Bib tap wall mounts ½" for exposed plumbing (pair)

**B1687** Bib tap wall mount ½" for exposed plumbing (single)



# Brackets

Aluminium alloy build-in brackets, 355mm overall, 305mm stud (pair)



## ARMITAGE SHANKS

### Build-in brackets

Aluminium alloy

#### Illustrated

**S9221** Brackets build-in Aluminium alloy, 355mm overall, 305mm stud (pair)

#### Weight

2.0kg

#### Finishes

Neutral / No Finish (67)

#### Options

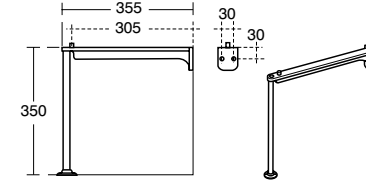
**S9219** Brackets build-in Aluminium alloy, 405mm overall, 355mm stud (pair)

**S9217** Brackets build-in Aluminium alloy, 455mm overall, 405mm stud (pair)



# Legs and Bearers

Stainless steel legs 350mm high with screw to wall aluminium alloy bearers, 355mm overall, 305mm stud (pairs)



November 2017	
Uniclass PR_40_20	CAWS N13
C/SFB (74)	

## ARMITAGE SHANKS

### Stainless steel legs

Screw to wall bearers

#### Illustrated

**S9233** Leg 350mm stainless steel with 355mm screw to wall Aluminium alloy bearer, 305mm stud (pair)

#### Weight

1.5kg

#### Finishes

Stainless Steel (MY)

#### Options

**S9251** Leg 650mm stainless steel with screw to wall Aluminium alloy bearer, 355mm overall, 305mm stud (pair)

**S9232** Leg 350mm stainless steel with screw to wall Aluminium alloy bearer, 405mm overall, 355mm stud (pair)



Uniclass PR_40_20	CAWS N13
CI/SFB	(74)

# Fountains

Fountains

10:1:1



Fountains

## Icon key

-  Residential
-  Public Places
-  Water Savings
-  Hospitals & Healthcare
-  Disabled Access
-  Doc M Compliant
-  Education
-  Spacesaving
-  Hotels
-  Anti-vandal

November 2017	
Uniclass PR_40_20	CAWS N13
CI/SFB	(74)

November 2017	
Uniclass PR_40_20	CAWS N13
CI/SFB	(74)

# Fountains



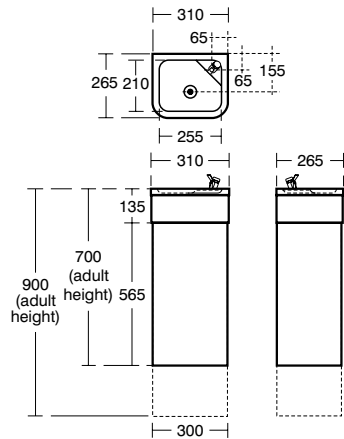
# Fountains

## Purita

Floor mounted pedestal drinking fountain in stainless steel supplied complete with self-closing valve and protected nozzle to minimise direct contact. Schools height 700mm. Adult height 900mm.



**S5452** Includes Bottle Filler



November 2017	
Uniclass PR_40_20	CAWS N13
C/SFB	(74)

### ARMITAGE SHANKS

Tamper resistant pedestal  
700mm schools height  
900mm adult height  
Protected nozzle

#### Illustrated

**S5450** Purita drinking fountain with wall fixed, floor standing pedestal 900mm high for adult use

#### Material

Stainless steel

#### Weight

900mm Drinking Fountain 7.0kg  
700mm Drinking Fountain 6.8kg

#### Finishes

Available in Stainless Steel (MY)

#### Standards

Stainless steel conforms to BS EN 10088:Part 2:2005

#### Options

**S5451** Purita drinking fountain with wall fixed, floor standing pedestal 700mm high for junior use

**S5452** Purita drinking fountain with wall fixed, floor standing pedestal 900mm high for adult use complete with bottle filler

#### Special notes

Not for outside use

# Fountains

## Purita

Wall mounted drinking fountain in stainless steel supplied complete with self-closing valve and protected nozzle to minimise direct contact.



November 2017	
Uniclass PR_40_20	CAWS N13
C/SFB	(74)

### ARMITAGE SHANKS

Drinking fountain,  
wall mounted  
Stainless steel  
Protected nozzle

#### Illustrated

**S5449** Purita drinking fountain complete with self closing non-concussive valve with push button operation, flow control and 1¼" brass strainer waste

#### Material

Stainless steel

#### Weight

Drinking Fountain 5.0kg

#### Finishes

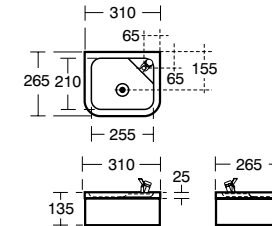
Available in Stainless Steel (MY)

#### Standards

Stainless steel conforms to BS EN 10088:Part 2:2005

#### Special notes

Not for outside use



Uniclass PR_40_20	CAWS N13
CI/SFB	(74)

# Doc M Packs



Introduction	11:1:1
WC Rooms	11:2:1
Cubicles	11:3:1
Shower/Changing	11:4:1
Urinal	11:5:1

## Icon key

-  Residential
-  Public Places
-  Water Savings
-  Hospitals & Healthcare
-  Disabled Access
-  Doc M Compliant
-  Education
-  Spacesaving
-  Hotels
-  Anti-vandal

Doc M

## Doc M

# Doc M explained

**The Equality Act 2010 (disability) regulations 2010 requires: 'That all suppliers of services, goods and facilities to the general public must remove all physical barriers where deemed reasonable'. Some of the key requirements for Doc M are explained below. For full information please refer to Armitage Shanks Part M brochure or Part M of the Building Regulations.**

So if you are offering or required to offer toilet facilities to your customers, clients or employees, you must make reasonable provision for everyone of all levels of ability including wheelchair users. Failure to do could result in litigation.

## Washrooms

Where you have a washroom with more than one toilet you will need a standard unisex DOC M pack by the main washroom.

## Washrooms Cubicles

Washrooms must offer different types of cubicle.

- Standard cubicles
- At least one ambulant cubicles per washroom
- For every four cubicles (including ambulant) you must have an enlarged cubicle.

## Public Shower Facilities

If you are offering showering facilities at least one should be wheelchair accessible.

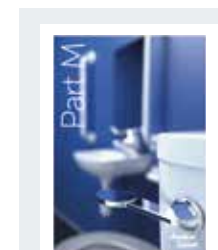
## Special Requirements

- All taps must be thermostatically protected with the hot water discharging at a maximum temperature of 41°C
- Sanitaryware, wall and floors must all contrast with each other. The standard stipulates a contrast value of 30 point difference in the Light Reflectance Value (LRV) between the surface finish of the sanitaryware, taps and grab rails with the background walls and floor.

The Colour RAL and LRV values are laid out below.

Finishes	RAL	LRV
White	9016	87
Blue	5011	6
Grey	7005	19
Charcoal	7016	8

- All tap controls, flushing devices and door handles must be capable of being operated with a closed fist.



For full details on Doc M refer to the Armitage Shanks Part M brochure

November 2017	
Uniclass PR_40_20	CAWS N13
CI/SFB	(74)

November 2017	
Uniclass PR_40_20	CAWS N13
CI/SFB	(74)

# WC Rooms

# Close Coupled left or right hand packs

Doc M pack, specifically designed to latest recommendations which call for the tap to be positioned more conveniently on the side of the basin closest to the seated user. These packs have a left hand or right hand single taphole basin specific to that need. Taps have copper tails as these are preferred in many applications. Water saving delay fill 4.5 litre cistern.



November 2017	
Uniclass PR_40_20	CAWS N13
C/SFB	(74)

ARMITAGE SHANKS

Delivered in one box

LABC approved

BS8300 compliant

Other seat and rail colour options available

### Illustrated

**S0683** Doc M Contour 21+ close coupled left hand corner pack, WC pan, water saving delay fill cistern with spatula lever, handrinse washbasin, grab rails, hinged support rail with toilet roll holder, seat no cover with retaining buffers, copper tails on TMV3 mixer tap

### Material

Vitreous China

### Weight

Doc M Pack 69.7kg

### Finishes

Available in White (AC), Stainless Steel (MY), Blue (LI), Grey (LJ), Charcoal (RN)

### Standards

Vitreous china to BS3402. Contour 21+ mixer A6697 to TMV3

### Options

**S0684** Doc M Contour 21+ close coupled right hand corner pack, WC pan, water saving delay fill cistern with spatula lever, handrinse washbasin, grab rails, hinged support rail with toilet roll holder, seat no cover with retaining buffers, copper tails on TMV3 mixer tap

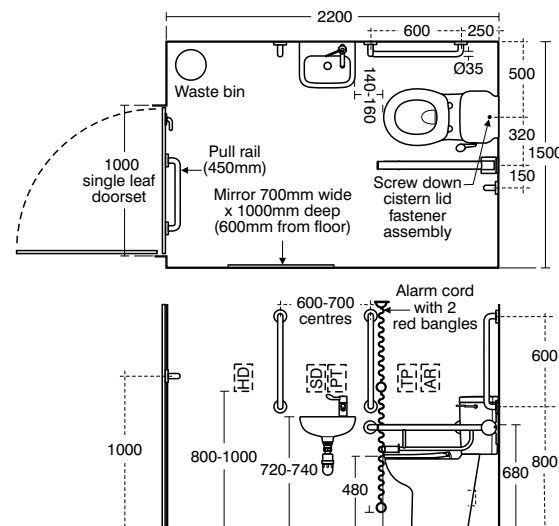
### Special notes

Doc M packs are available both right and left hand corner arrangement, illustrated is left hand arrangement. Supplied with layout drawings, detailing the fixing positions necessary for Doc M compliance



# Close Coupled individual items

Individual items for left hand Doc M close coupled pack, choosing the optional washbasin from individual items gives items for right hand Doc M close coupled pack. All Doc M packs are specifically designed to latest recommendations which call for the tap to be positioned more conveniently on the side of the basin closest to the seated user.



HD - Possible position for automatic hand dryer  
SD - Soap dispenser  
PT - Paper towel dispenser  
AR - Alarm reset button  
TP - Toilet paper dispenser

Clear space should not be infringed by any other fixtures

### Notes:

Left hand corner installation illustrated

This layout is only suitable where it is not the only toilet facility within the building

Wall and floor finishes must contrast visually

Wall finish must contrast with grab rails and sanitary fittings  
Emergency lighting must be provided

Lever action tap supplied  
Door is to be fitted with light action privacy bolts with emergency release mechanisms

The wc pan is capable of accepting variable height toilet seats

Any fire alarm emits a visual and audible signal to warn occupants with hearing or visual impairments

Any emergency assistance alarm system has:-

- Visual and audible indicators to confirm that an emergency call has been received
- A reset control reachable from a wheelchair and the WC or from the wheelchair and the shower/ changing seat
- A signal that is distinguishable visually and audibly from the fire alarm

November 2017	
Uniclass PR_40_20	CAWS N13
C/SFB	(74)

ARMITAGE SHANKS

For complete pack use pack codes on previous page

For individual items use codes below

### Illustrated

**S3054** Contour 21 close coupled raised height WC pan, 75cm projection with floor fixing kit

**S3654** Contour 21 close coupled delay fill, syphon cistern 4.5 litre single flush for 75cm projection pan bottom supply and internal overflow, secure cover fastener, no lever

**S4066** Contour 21 seat no cover, top fixing hinges and retaining buffers

**S4420** Spatula cistern lever close coupled  
**S2474** Contour 21 37cm handrinse washbasin right hand taphole no overflow or chainstay hole, bottom outlet

**A6697** Contour 21+ 1 hole thermostatic basin mixer, single sequential lever with copper tails

**S9110** Hangers concealed, Steel  
**S8910** Trap 1 1/4" plastic bottle, 75mm seal, multi-purpose outlet

**S8810** Waste 1 1/4" plastic strainer, dished pattern 80mm unslotted tail

**S6454** Contour 21 grab rail straight 60cm long x 35mm diameter

**S6452** Contour 21 grab rail straight 45cm long x 35mm diameter

**S6360** Contour 21 hinged support rail 80 x 35mm diameter, Doc M Compliant

**S6363** Toilet roll holder for Contour 21 hinged arm rail

### Finishes

WC pan in White (O1)  
Basin in White (O1)  
Seat available in White (O1), Blue (36), Grey (LJ), Charcoal (RN)  
Grab rail available in White (AC), Blue (36), Grey (LJ), Stainless Steel (MY), Charcoal (RN)

### Standards

Vitreous china to BS3402. Contour 21+ mixer A6697 to TMV3

### Special notes

For LRV and RAL numbers see Doc M introduction. For right hand corner arrangement substitute S2473 for S2474. 600mm grab rail S6454 x 4 for room set 450mm grab rail S6452 is for back of door

# Back To Wall

## left or right hand packs

Doc M pack, specifically designed to latest recommendations which call for the tap to be positioned more conveniently on the side of the basin closest to the seated user. These packs have a left hand or right hand single tapole basin specific to that need. Taps have copper tails as these are preferred in many applications. TMV3 approved basin mixer to help prevent scalding with integral thermostat to reduce legionella risk.



November 2017	
Uniclass PR_40_20	CAWS N13
C/SFB	(74)

ARMITAGE SHANKS

Delivered in one box

Other seat and rail colour options available

ABC approved

BS8300 compliant

**Illustrated**

**S0685** Doc M Contour 21+ back to wall left hand corner pack, rimless WC pan, water saving delay fill Conceala cistern with spatula lever, handrinse washbasin, grab rails, hinged support rail with toilet roll holder, seat no cover with retaining buffers, copper tails on TMV3 mixer tap

**Material**

Vitreous China

**Weight**

Doc M Pack 69.7kg

**Finishes**

Available in Blue (LI), Stainless Steel (MY), White (AC), Grey (LJ), Charcoal (RN)

**Standards**

Vitreous china to BS3402. Contour 21+ mixer A6697 to TMV3

**Options**

**S0686** Doc M Contour 21+ back to wall right hand corner pack, rimless WC pan, water saving delay fill Conceala cistern with spatula lever, handrinse washbasin, grab rails, hinged support rail with toilet roll holder, seat no cover with retaining buffers, copper tails on TMV3 mixer tap

**Special notes**

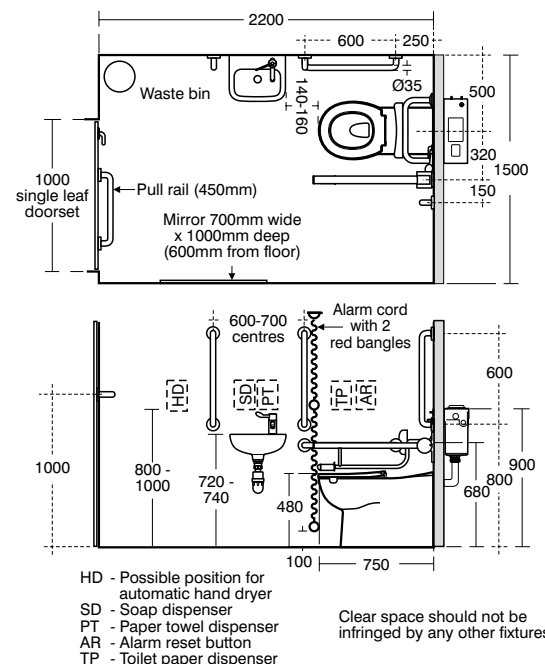
Doc M packs are available both right and left hand corner arrangement, illustrated is left hand arrangement. Supplied with layout drawings, detailing the fixing positions necessary for Doc M compliance. Pan incorporates full outlet pipe that extends beyond the pan to allow for easier installation and inspection of pipe seal once installed



# Back To Wall

## individual items

Individual items for left hand Doc M Standard back to wall pack, choosing the optional washbasin from individual items gives items for right hand Doc M Standard pack. All Doc M packs are specifically designed to latest recommendations which call for the tap to be positioned more conveniently on the side of the basin closest to the seated user.

**Notes:**

Left hand corner installation illustrated

This layout is only suitable where it is not the only toilet facility within the building

Wall and floor finishes must contrast visually

Wall finish must contrast with grab rails and sanitary fittings

Emergency lighting must be provided

Lever action tap supplied

Door is to be fitted with light action privacy bolts with emergency release mechanisms

The wc pan is capable of accepting variable height toilet seats

Any fire alarm emits a visual and audible signal to warn occupants with hearing or visual impairments

Any emergency assistance alarm system has:-

- Visual and audible indicators to confirm that an emergency call has been received
- A reset control reachable from a wheelchair and the WC or from the wheelchair and the shower/ changing seat
- A signal that is distinguishable visually and audibly from the fire alarm

November 2017	
Uniclass PR_40_20	CAWS N13
C/SFB	(74)

ARMITAGE SHANKS

For complete pack use pack codes on previous page

For individual items use codes below

**Illustrated**

**S0438** Contour 21+ 75cm projection back to wall rimless WC pan with horizontal outlet and anti-microbial glaze

**S3621** Conceala 2 cistern 4.5 or 6 litre single flush syphon bottom supply and internal overflow, alternative height plastic flushbends no lever

**S4066** Contour 21 seat no cover, top fixing hinges and retaining buffers

**S4516** Lever flushing spatula for Conceala cistern

**S2474** Contour 21 37cm handrinse washbasin right hand tapole no overflow or chainstay hole, bottom outlet

**A6697** Contour 21+ 1 hole thermostatic basin mixer, single sequential lever with copper tails

**S9110** Hangers concealed, Steel

**S8910** Trap 1¼" plastic bottle, 75mm seal, multi-purpose outlet

**S8810** Waste 1¼" plastic strainer, dished pattern 80mm unslotted tail

**S6454** Contour 21 grab rail straight 60cm long x 35mm diameter

**S6452** Contour 21 grab rail straight 45cm long x 35mm diameter

**S6360** Contour 21 hinged support rail 80 x 35mm diameter, Doc M Compliant

**S6363** Toilet roll holder for Contour 21 hinged arm rail

**S6466** Contour 21 back support rail for 75cm projection WC, 40 x 22 x 35mm diameter tube

**S6884** Cushion for back support with clips, new design

**Finishes**

WC pan in White (HY)

Basin in White (01)

Seat available in White (01), Blue (36), Grey (LJ), Charcoal (RN)

Grab rail available in White (AC), Blue (36), Grey (LJ), Stainless Steel (MY), Charcoal (RN)

**Standards**

Vitreous china to BS3402. Contour 21+ mixer A6697 to TMV3

**Special notes**

For LRV and RAL numbers see Doc M introduction. For right hand corner arrangement substitute hand rinse washbasin S2473 for S2474. 600mm grab rail S6454 x 4 for room set. 450mm grab rail S6452 is for back of door



# Wall Mounted left or right hand packs

Doc M wall mounted pack with rimless WC. Specifically designed to latest recommendations which call for the tap to be positioned more conveniently on the side of the basin closest to the seated user. These packs have a left hand or right hand single taphole basin specific to that need. Taps have copper tails as these are preferred in many applications.



November 2017	
Uniclass PR_40_20	CAWS N13
C/SFB	(74)

ARMITAGE SHANKS

Delivered in one box

LABC approved

Wall mounted rimless WC

Other seat and rail options available

B58300 compliant

Dual flush concealed cistern

### Illustrated

**S0687** Doc M Contour 21+ wall mounted left hand corner pack, rimless WC pan and support brackets, water saving dual flush Conceala cistern, handrinse washbasin, grab rails, luxury back support, hinged support rail with toilet roll holder, seat no cover with retaining buffers, copper tails on TMV3 mixer tap

### Material

Vitreous China

### Weight

Doc M Pack 69.7kg

### Finishes

Available in Chrome (AA),  
Stainless Steel (MY)

### Standards

Vitreous china to BS3402. Contour 21+  
Outline mixer A6790 to TMV3

### Options

**S0688** Doc M Contour 21+ wall mounted right hand corner pack, rimless WC pan and support brackets, water saving dual flush Conceala cistern, handrinse washbasin, grab rails, luxury back support, hinged support rail with toilet roll holder, seat no cover with retaining buffers, copper tails on TMV3 mixer tap

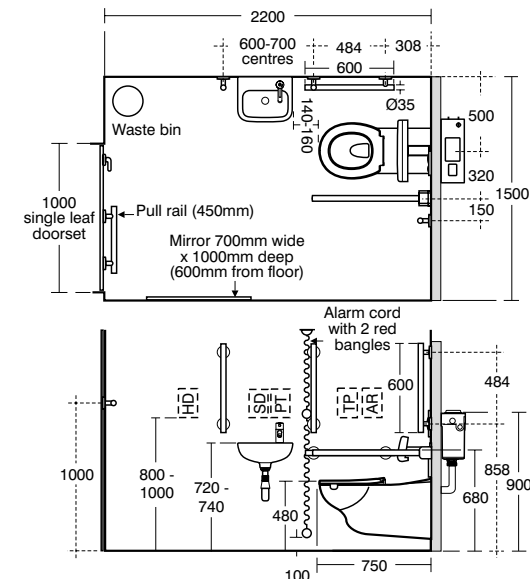
### Special notes

Doc M packs are available both right and left hand corner arrangement, illustrated is left hand arrangement. Supplied with layout drawings, detailing the fixing positions necessary for Doc M compliance



# Wall Mounted individual items

Individual items for left hand Doc M wall mounted pack, choosing the optional washbasin from individual items gives items for right hand Doc M wall mounted pack. All Doc M packs are specifically designed to latest recommendations which call for the tap to be positioned more conveniently on the side of the basin closest to the seated user.



HD - Possible position for automatic hand dryer  
SD - Soap dispenser  
PT - Paper towel dispenser  
AR - Alarm reset button  
TP - Toilet paper dispenser

Clear space should not be infringed by any other fixtures

### Notes:

Left hand corner installation illustrated

This layout is only suitable where it is not the only toilet facility within the building

Wall and floor finishes must contrast visually

Wall finish must contrast with grab rails and sanitary fittings

Emergency lighting must be provided

Lever action tap supplied

Door is to be fitted with light action privacy bolts with emergency release mechanisms

The wc pan is capable of accepting variable height toilet seats

Any fire alarm emits a visual and audible signal to warn occupants with hearing or visual impairments

Any emergency assistance alarm system has:-

- Visual and audible indicators to confirm that an emergency call has been received
- A reset control reachable from a wheelchair and the WC or from the wheelchair and the shower/ changing seat
- A signal that is distinguishable visually and audibly from the fire alarm

November 2017	
Uniclass PR_40_20	CAWS N13
C/SFB	(74)

ARMITAGE SHANKS

For complete pack use pack codes on previous page

For individual items use codes below

### Illustrated

- S0442** Contour 21+ 75cm projection wall mounted rimless WC pan with horizontal outlet and anti-microbial glaze
- S9139** Support bracket for wall mounted WC raised height with bolts
- S3636** Conceala 2 cistern delay fill 4.5/3 litre dual flush valve bottom supply and internal overflow, alternative height plastic flushbends, no flushplate
- S4066** Contour 21 seat no cover, top fixing hinges and retaining buffers
- S4504** Contemporary flush plate dual flush, Armitage Shanks logo for Conceala 2 cisterns
- S2474** Contour 21 37cm handrinse washbasin right hand taphole no overflow or chainstay hole, bottom outlet
- A6790** Contour 21+ Outline 1 hole thermostatic basin mixer with pin handle and flexible tails
- S9110** Hangers concealed, Steel
- S8720** Waste 1 1/4" brass strainer waste, 80mm unslotted tail
- S8900** Trap 1 1/4" metal bottle, 75mm seal, outlet screwed 1 1/4" BSP male with compression nut and ring
- S6484** Contour 21 Contemporary grab rail 60cm long
- S6486** Contour 21 Contemporary grab rail 45cm long
- S6362** Contemporary 21 hinged support rail, 80cm Doc M Compliant
- S6637** Multi-System back support, white
- N1381** Concept toilet roll holder

### Finishes

WC pan in White (HY)  
Basin in White (01)  
Seat available in White (01), Blue (36), Grey (LJ), Charcoal (RN)  
Grab rail available in Chrome (AA),  
Stainless Steel (MY)

### Standards

Vitreous china to BS3402. Contour 21+ mixer A6697 to TMV3

### Special notes

For LRV and RAL numbers see Doc M introduction. For right hand corner arrangement substitute S2473 for S2474. 600mm grab rail S6484 x 4 for room set 450mm grab rail S6486 is for back of door



# Sensorflow Wall Mounted left or right hand packs

Doc M wall mounted pack with rimless WC. Specifically designed to latest recommendations which call for the tap to be positioned more conveniently on the side of the basin closest to the seated user. These packs have a left hand or right hand single taphole basin specific to that need. TMV3 approved underbasin thermostatic mixer valve. Water saving delay fill 4.5 litre Sensorflow WC cistern.



Delivered in one box

BS83000 compliant

With Sensorflow 21 spout and flush

LABC approved

Wall mounted rimless WC

With Chromium finish rails

### Illustrated

**S0691** Doc M Contour 21+ and Sensorflow 21 wall mounted left hand pack, sensor tap and TMV3 thermostatic valve, rimless WC pan and support brackets, Conceala water saving delay fill 4.5 litre Sensorflow cistern, handrinse washbasin, hinged support rail and toilet roll holder

### Material

Vitreous China

### Weight

Doc M Pack 69.7kg

### Finishes

Available in Chrome (AA)

### Standards

Vitreous china to BS3402. Thermostatic mixing valve 15mm A5900 to TMV3

### Options

**S0692** Doc M Contour 21+ and Sensorflow 21 wall mounted right hand pack, sensor tap and TMV3 thermostatic valve, rimless WC pan and support brackets, Conceala water saving delay fill 4.5 litre Sensorflow cistern, handrinse washbasin, hinged support rail and toilet roll holder

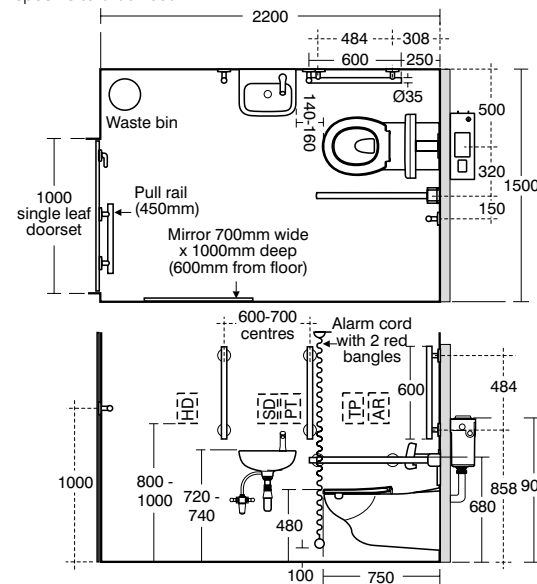
### Special notes

Doc M packs are available both right and left hand corner arrangement, illustrated is left hand arrangement. Supplied with layout drawings, detailing the fixing positions necessary for Doc M compliance



# Sensorflow Wall Mounted individual items

Individual items for left hand Doc M Sensorflow pack, choosing the optional washbasin from individual items gives items for right hand Doc M Sensorflow pack. All Doc M packs are specifically designed to latest recommendations which call for the tap to be positioned more conveniently on the side of the basin closest to the seated user. These packs have a left hand or right hand single taphole basin specific to that need.



- HD - Possible position for automatic hand dryer
- SD - Soap dispenser
- PT - Paper towel dispenser
- AR - Alarm reset button
- TP - Toilet paper dispenser

Clear space should not be infringed by any other fixtures

Notes:  
This layout is only suitable where it is not the only toilet facility within the building

Wall and floor finishes must contrast visually

Wall finish must contrast with grab rails and sanitary fittings  
Emergency lighting must be provided

Sensor activated tap supplied

Door is to be fitted with light action privacy bolts with emergency release mechanisms

The wc pan is capable of accepting variable height toilet seats

Any fire alarm emits a visual and audible signal to warn

occupants with hearing or visual impairments

Any emergency assistance alarm system has:-

- i) Visual and audible indicators to confirm that an emergency call has been received
- ii) A reset control reachable from a wheelchair and the WC or from the wheelchair and the shower/ changing seat
- iii) A signal that is distinguishable visually and audibly from the fire alarm

For complete pack use pack codes on previous page

For individual items use codes below

### Illustrated

**S0442** Contour 21+ 75cm projection wall mounted rimless WC pan with horizontal outlet and anti-microbial glaze

**S9139** Support bracket for wall mounted WC raised height with bolts

**S3604** Sensorflow 21 WC flushing device, panel mounted sensor complete with concealed valve and 4 or 4.5 litre delay fill duct cistern

**S4066** Contour 21 seat no cover, top fixing hinges and retaining buffers

**S2474** Contour 21 37cm handrinse washbasin right hand taphole no overflow or chainstay hole, bottom outlet

**A4852** Sensorflow 21 compact washbasin mounted spout integral sensor servicing valve and filter, copper tube inlets, mains

**A5900** TMV3 Thermostatic mixing valve 15mm

**S9110** Hangers concealed, Steel

**S8720** Waste 1 1/4" brass strainer waste, 80mm unslotted tail

**S8900** Trap 1 1/4" metal bottle, 75mm seal, outlet screwed 1 1/4" BSP male with compression nut and ring

**S6484** Contour 21 Contemporary grab rail 60cm long

**S6486** Contour 21 Contemporary grab rail 45cm long

**S6362** Contemporary 21 hinged support rail, 80cm Doc M Compliant

**S6637** Multi-System back support, white

**N1381** Concept toilet roll holder

### Finishes

WC pan in White (HY)  
Basin in White (01)  
Seat available in White (01), Blue (36), Grey (LJ), Charcoal (RN)  
Grab rails available in Chrome (AA)

### Standards

Vitreous china to BS3402. Thermostatic mixing valve 15mm A5900 to TMV3

### Special notes

For LRV and RAL numbers see Doc M introduction. For right hand corner arrangement substitute S2473 for S2474. 600mm grab rail S6484 x 4 for room set 450mm grab rail S6486 is for back of door

# Standard

## left or right hand packs

Doc M pack, specifically designed to latest recommendations which call for the tap to be positioned more conveniently on the side of the basin closest to the seated user. These packs have a left hand or right hand single taphole basin specific to that need. Taps have copper tails as these are preferred in many applications. TMV3 approved basin mixer to help prevent scalding with integral thermostat to reduce legionella risk.



November 2017	
Uniclass PR_40_20	CAWS N13
CUSFB (74)	

ARMITAGE SHANKS

- Delivered in one box
- Other seat and rail colour options available
- LABC approved
- BS8300 compliant

### Illustrated

**S0689** Doc M Standard low level left hand corner pack, WC with spacer box low level cistern, handrinse washbasin, grab rails, hinged support rail with toilet roll holder, seat no cover with retaining buffers

### Material

Vitreous China

### Weight

Doc M Pack 70.0kg

### Finishes

Available in White (AC), Blue (LI)

### Standards

Vitreous china to BS3402. Contour 21+ mixer A6697 to TMV3

### Options

**S0690** Doc M Standard low level right hand corner pack, WC with spacer box low level cistern, handrinse washbasin, grab rails, hinged support rail with toilet roll holder, seat no cover with retaining buffers

### Special notes

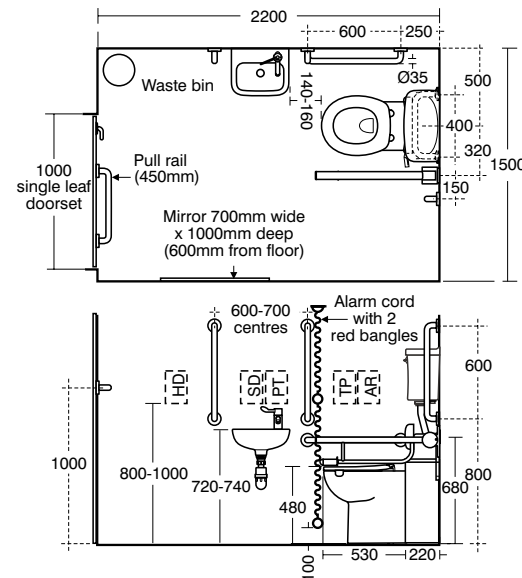
Doc M packs are available both right and left hand corner installation, illustrated is left hand arrangement. Supplied with layout drawings, detailing the fixing positions necessary for Doc M compliance



# Standard

## individual items

Individual items for left hand Doc M Standard back to wall pack, choosing the optional washbasin from individual items gives items for right hand Doc M Standard pack. All Doc M packs are specifically designed to latest recommendations which call for the tap to be positioned more conveniently on the side of the basin closest to the seated user.



- HD - Possible position for automatic hand dryer
- SD - Soap dispenser
- PT - Paper towel dispenser
- AR - Alarm reset button
- TP - Toilet paper dispenser

### Notes:

- Left hand corner installation illustrated
- This layout is only suitable where it is not the only toilet facility within the building
- Wall and floor finishes must contrast visually
- Wall finish must contrast with grab rails and sanitary fittings
- Emergency lighting must be provided
- Lever action tap supplied
- Door is to be fitted with light action privacy bolts with emergency release mechanisms
- The wc pan is capable of accepting variable height toilet seats

Clear space should not be infringed by any other fixtures

Any fire alarm emits a visual and audible signal to warn occupants with hearing or visual impairments

Any emergency assistance alarm system has:-

- Visual and audible indicators to confirm that an emergency call has been received
- A reset control reachable from a wheelchair and the WC or from the wheelchair and the shower/ changing seat
- A signal that is distinguishable visually and audibly from the fire alarm

November 2017	
Uniclass PR_40_20	CAWS N13
CUSFB (74)	

ARMITAGE SHANKS

- For complete pack use pack code S6984 & S6985
- For individual items use codes below

### Illustrated

- S0440** Contour 21+ raised height back to wall rimless WC pan with raised horizontal outlet at 225mm and anti-microbial glaze
- S3900** Group low level cistern 6 litre single flush syphon side supply and internal overflow, CP lever (fittings reversible)
- S4066** Contour 21 seat no cover, top fixing hinges and retaining buffers
- S4658** Plastic one piece offset flushbend for Doc M Standard WC for use with spacer box
- S5375** Spacer box, laminate faced unit with access panel for Ventura
- S9503** Restrictor for WC flushpipe
- S2474** Contour 21 37cm handrinse washbasin right hand taphole no overflow or chainstay hole, bottom outlet
- A6697** Contour 21+ 1 hole thermostatic basin mixer, single sequential lever with copper tails
- S9110** Hangers concealed, Steel
- S8810** Waste 1¼" plastic strainer, dished pattern 80mm unslotted tail
- S8910** Trap 1¼" plastic bottle, 75mm seal, multi-purpose outlet
- S6454** Contour 21 grab rail straight 60cm long x 35mm diameter
- S6452** Contour 21 grab rail straight 45cm long x 35mm diameter
- S6360** Contour 21 hinged support rail 80 x 35mm diameter, Doc M Compliant
- S6363** Toilet roll holder for Contour 21 hinged arm rail
- S6466** Contour 21 back support rail for 75cm projection WC, 40 x 22 x 35mm diameter tube
- S6884** Cushion for back support with clips

### Finishes

- WC pan in White (HY)
- Basin in White (01)
- Seat available in White (01), Blue (36), Grey (LJ), Charcoal (RN)
- Grab rail available in White (AC), Blue (36), Grey (LJ), Stainless Steel (MY), Charcoal (RN)

### Standards

Vitreous china to BS3402

### Special notes

For LRV and RAL numbers see Doc M introduction. For right hand corner arrangement substitute hand rinse washbasin S2473 for S2474. 600mm grab rail S6454 x 4 for room set 450mm grab rail S6452 is for back of door



# Close Coupled Pack and additional standing washbasin

The room set is described in Doc M as "Doc M Close Coupled Pack and additional washbasin for standing users". This provides the unisex wheelchair toilet facility suitable for use where only one washroom exists within a building.



November 2017	
Uniclass PR_40_20	CAWS N13
C/S/F/B	(74)

ARMITAGE SHANKS

Doc M Delivered in one box

Other seat and rail colour options available

B58300 compliant

LABC approved

**Illustrated**

**S0683** Doc M Contour 21+ close coupled left hand corner pack, WC pan, water saving delay fill cistern with spatula lever, handrinse washbasin, grab rails, hinged support rail with toilet roll holder, seat no cover with retaining buffers, copper tails on TMV3 mixer tap

**S2252** Portman 21 washbasin 50cm, 1 taphole, no overflow or chainstay hole

**A6697** Contour 21+ 1 hole thermostatic basin mixer, single sequential lever with copper tails

**S8734** Waste 1¼" brass swivel plug waste, 80mm unslotted tail

**S8910** Trap 1¼" plastic bottle, 75mm seal

**S6454** Contour 21 grab rail straight 60cm long x 35mm diameter

**Material**

Vitreous China

**Weight**

Doc M Pack 69.7kg

**Finishes**

Doc M Pack available in White (AC), Blue (LI), Stainless (MY), Grey (LJ), Charcoal (RN)

Basin in White (O1)

Grab rail available in White (AC), Blue (LI), Grey (LJ), Stainless Steel (MY), Charcoal (RN)

**Standards**

Vitreous china to BS3402. Contour 21+ mixer A6697 to TMV3

**Options**

**S0684** Doc M Contour 21+ close coupled right hand corner pack, WC pan, water saving delay fill cistern with spatula lever, handrinse washbasin, grab rails, hinged support rail with toilet roll holder, seat no cover with retaining buffers, copper tails on TMV3 mixer tap



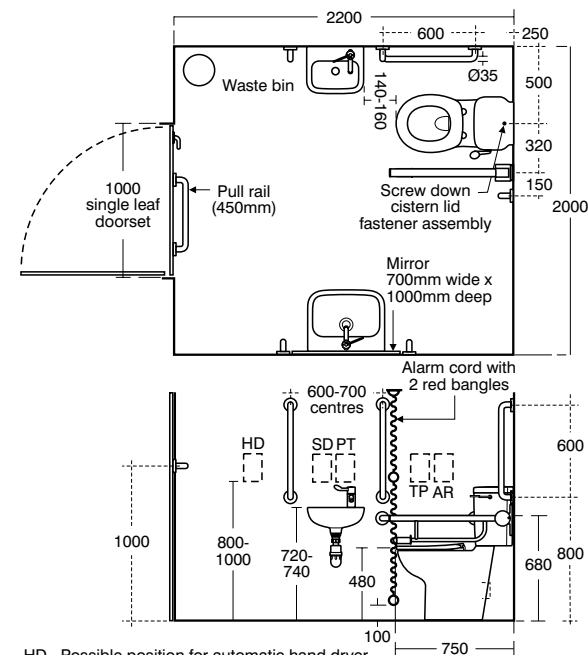
11 : 2 : 14

Armitage  
Shanks

Tel 0870 122 8822 Fax 0870 122 8282  
Email [info@thebluebook.co.uk](mailto:info@thebluebook.co.uk)  
Online search, specify & CAD: [www.thebluebook.co.uk](http://www.thebluebook.co.uk)

# Close Coupled Pack and additional standing washbasin individual items

The room set is described in Doc M as "Doc M Close Coupled Pack and additional washbasin for standing users". This provides the Unisex wheelchair toilet facility suitable for use where only one washroom exists within a building.



HD - Possible position for automatic hand dryer

SD - Soap dispenser

PT - Paper towel dispenser

AR - Alarm reset button

TP - Toilet paper dispenser

**Notes:**

Left hand corner installation illustrated.

This layout is only suitable where it is not the only toilet facility within the building.

Wall and floor finishes must contrast visually.

Wall finish must contrast with grab rails and sanitary fittings.

Emergency lighting must be provided.

Lever action tap supplied.

Door is to be fitted with light action privacy bolts with emergency release mechanisms.

The wc pan is capable of accepting variable height toilet seats.

Clear space should not be infringed by any other fixtures

Any fire alarm emits a visual and audible signal to warn occupants with hearing or visual impairments and additional items to add a standing height washbasin fixed at 780-800mm from floor to front rim.

- Visual and audible indicators to confirm that an emergency call has been received
- A reset control reachable from a wheelchair and the WC or from the wheelchair and the shower/ changing seat
- A signal that is distinguishable visually and audibly from the fire alarm

November 2017	
Uniclass PR_40_20	CAWS N13
C/S/F/B	(74)

ARMITAGE SHANKS

For complete pack use pack codes on previous page

For individual items use codes see page 11:2:3

**Illustrated**

**S0683** Doc M Contour 21+ close coupled left hand corner pack. For individual items see Close Coupled Pack, page 11:2:3

**Additional Standing Washbasin**

**S2252** Portman 21 washbasin 50cm, 1 taphole, no overflow or chainstay hole

**E0062** Panel fixing set

**A6697** Contour 21+ 1 hole thermostatic basin mixer, single sequential lever with copper tails

**S8734** Waste 1¼" brass swivel plug waste, 80mm unslotted tail

**S8910** Trap 1¼" plastic bottle, 75mm seal

**S6454** Contour 21 grab rail straight 60cm long x 35mm diameter

**Finishes**

Basin in White (O1)

Grab rail available in White (AC), Blue (LI), Grey (LJ), Stainless Steel (MY), Charcoal (RN)

**Standards**

Vitreous china to BS3402. Contour 21+ mixer A6697 to TMV3

**Options**

**S0684** Doc M Contour 21+ close coupled right hand corner pack. For individual items see Close Coupled Pack, page 11:2:3.

**E0157** Wall fixing set

**Special notes**

For LRV and RAL numbers see Doc M introduction. Room set comprises a Unisex close coupled wheelchair accessible corner arrangement [Pack S0683 for left hand room corner or S0684 for right hand room corner] and additional items to add a standing height washbasin fixed at 780-800mm from floor to front rim.

600mm grab rail S6454 x 4 for room set

450mm grab rail S6452 is for back of door

Washbasin wall mounted using E0157 wall fixing set or panel mounted using E0062 panel fixing set



11 : 2 : 15

Armitage  
Shanks

Tel 0870 122 8822 Fax 0870 122 8282  
Email [info@thebluebook.co.uk](mailto:info@thebluebook.co.uk)  
Online search, specify & CAD: [www.thebluebook.co.uk](http://www.thebluebook.co.uk)

November 2017	
Uniclass PR_40_20	CAWS N13
CI/SFB	(74)

November 2017	
Uniclass PR_40_20	CAWS N13
CI/SFB	(74)

# Cubicles



# Ambulant

## back to wall or close coupled packs

Equipment for ambulatory accessible WC compartments for walking impaired people. The WCs are DEFRA water technology listed.

November 2017	
Uniclass PR_40_20	CAWS N13
C/SFB	(74)

ARMITAGE SHANKS

Seat and rail colour options  
LABC approved

Optional Stainless Steel rails  
with grey seat

### Illustrated

**S0681** Doc M Contour 21+ Ambulant care WC pack with rimless back to wall WC, floor fixing kit, Conceala cistern with lever, grab rails, seat no cover with retaining buffers and white plastic clothes hook

### Material

Vitreous China

### Weight

Doc M Pack 30.3kg

### Finishes

Available in White (AC), Blue (LI), Stainless Steel (MY), Grey (LJ), Charcoal (RN)

### Standards

Vitreous china to BS3402

### Options

**S6958** Doc M Contour 21 Ambulant care WC pack with close coupled WC and cistern with spatula lever, grab rails, seat no cover with retaining buffers and white plastic clothes hook

### Special notes

Levers can be fitted on left or right of cisterns. All washrooms must have at least one ambulant accessible WC compartment. Supplied with layout drawings, detailing the fixing positions necessary for Doc M compliance. See seat and rail pages for individual items colour options



# Ambulant

## back to wall individual items

Equipment for ambulatory accessible WC compartments for walking impaired people. This installation conforms to Document M of the Building Regulations.

November 2017	
Uniclass PR_40_20	CAWS N13
C/SFB	(74)

ARMITAGE SHANKS

For complete pack use pack  
code on previous page

For individual items use  
codes below

### Illustrated

**S0440** Contour 21+ raised height back to wall rimless WC pan with horizontal outlet at 225mm and anti-microbial glaze  
**S3617** Conceala 2 cistern 4.5 or 6 litre single flush syphon side supply and internal overflow plastic flushbend, long CP lever  
**S4066** Contour 21 seat no cover, top fixing hinges and retaining buffers  
**S6454** Contour 21 grab rail straight 60cm long x 35mm diameter  
**S6452** Contour 21 grab rail straight 45cm long x 35mm diameter  
**S5093** Clothes hook screw to wall, plastic

### Finishes

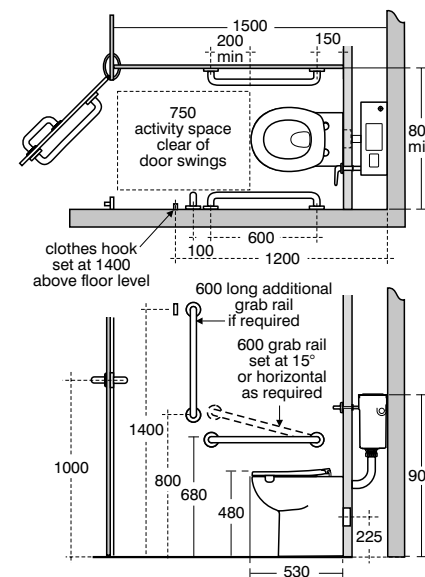
WC pan in White (HY)  
Seat available in White (01), Blue (36), Grey (LJ), Charcoal (RN)  
Grab rail available in White (AC), Blue (36), Grey (LJ), Stainless Steel (MY), Charcoal (RN)  
Clothes hook available in White (AC), Blue (LI)

### Standards

Vitreous china to BS3402.

### Special notes

For LRV and RAL numbers see Doc M introduction.  
600mm grab rail S6454 x 3 for room set  
450mm grab rail S6452 is for back of door

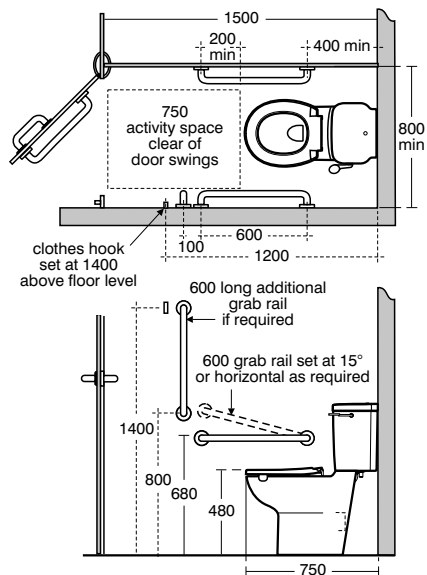


### Notes:

- Wall and floor finishes must contrast visually
- Wall finish must contrast with grab rails and sanitary fittings
- Door to be fitted with light action privacy bolts with emergency release mechanics
- The wc pan is capable of accepting variable height toilet seats
- Doors, handles and other ironmongery, together with provisions for fire safety  
i.e. alarm and escape lighting, while subject to Part M fall outside the remit of Armitage Shanks and this pack

# Ambulant close coupled individual items

Equipment for ambulatory accessible WC compartments for walking impaired people. This installation conforms to Document M of the Building Regulations. Water saving delay fill 4.5 litre cistern.



- Notes:
- Wall and floor finishes must contrast visually
  - Wall finish must contrast with grab rails and sanitary fittings
  - Door to be fitted with light action privacy bolts with emergency release mechanics
  - The wc pan is capable of accepting variable height toilet seats
  - Doors, handles and other ironmongery, together with provisions for fire safety i.e. alarm and escape lighting, while subject to Part M fall outside the remit of Armitage Shanks and this pack

November 2017	
Uniclass PR_40_20	CAWS N13
C/SFB	(74)

## ARMITAGE SHANKS

For complete pack use pack code on page 11:3:2

For individual items use codes below

### Illustrated

- S3054** Contour 21 close coupled raised height WC pan, 75cm projection with floor fixing kit
- S6454** Contour 21 grab rail straight 60cm long x 35mm diameter
- S4420** Spatula cistern lever close coupled
- S4066** Contour 21 seat no cover, top fixing hinges and retaining buffers
- S3654** Contour 21 close coupled delay fill, syphon cistern 4.5 litre single flush for 75cm projection pan bottom supply and internal overflow, secure cover fastener, no lever
- S6452** Contour 21 grab rail straight 45cm long x 35mm diameter
- S5093** Clothes hook screw to wall, plastic

### Finishes

WC pan in White (01)  
Seat available in White (01), Blue (36), Grey (LJ), Charcoal (RN)  
Grab rail available in White (AC), Blue (36), Grey (LJ), Stainless Steel (MY), Charcoal (RN)  
Clothes hook available in White (AC), Blue (LI)

### Standards

Vitreous china to BS3402

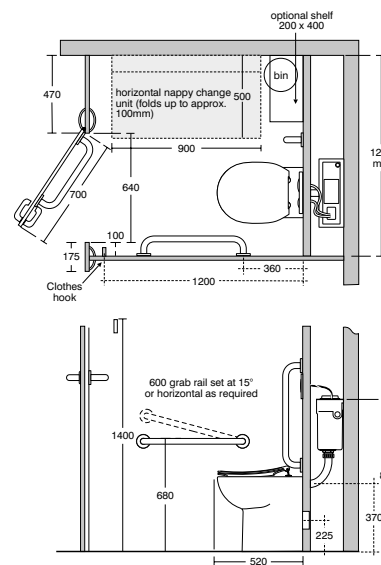
### Special notes

For LRV and RAL numbers see Doc M introduction.  
600mm grab rail S6454 x 3 for room set  
450mm grab rail S6452 is for back of door



# Back To Wall enlarged cubicle

Equipment for extra wide enlarged WC cubicle suitable for ambulant disabled, people with babies or small children and/or people with large bags/luggage. This installation conforms to Document M of the Building Regulations. The WCs are DEFRA water technology listed.



November 2017	
Uniclass PR_40_20	CAWS N13
C/SFB	(74)

## ARMITAGE SHANKS

Ambulatory accessible  
Rimless WC

### Illustrated

- S0439** Contour 21+ back to wall rimless WC pan with raised horizontal outlet at 225mm and anti-microbial glaze
- S3643** Conceala 2 cistern 4.5/3 litre dual flush valve side supply and internal overflow, alternative height plastic flushbends, no flushplate
- S4504** Contemporary flush plate dual flush, Armitage Shanks logo, stainless steel for Conceala 2 cisterns
- S4065** Contour 21 seat and cover, top fixing hinges
- S4067** Contour 21 seat retaining buffers, white
- S6454** Contour 21 grab rail straight 60cm long x 35mm diameter
- S6452** Contour 21 grab rail straight 45cm long x 35mm diameter
- S5093** Clothes hook screw to wall, plastic

### Material

Vitreous China

### Weight

Back-to-wall WC Pan 23.9kg  
4.5/3 Litre Cistern 2.7kg

### Finishes

WC pan in White (HY)  
Seat available in White (01), Blue (36), Grey (LJ), Charcoal (RN)  
Grab rails available in White (AC), Blue (36), Grey (LJ), Stainless Steel (MY), Charcoal (RN)  
Clothes hook available in White (AC), Blue (LI)

### Standards

Vitreous china to BS3402

### Special notes

For LRV and RAL numbers see Doc M introduction. Where four or more cubicles are provided in a washroom one of these must be an enlarged cubicle. This cubicle must be in addition to the ambulant disabled cubicle (see page 11:3:2) and must be a minimum of 1200mm wide. One horizontal and one vertical grab rail must be supplied to set around the WC. There must also be a space for a shelf and folding changing table, an outward opening door and closing/opening bar on the inside of the door. Supplied with layout drawings, detailing the fixing positions necessary for Doc M compliance.  
600mm grab rail S6454 x 2 for room set  
450mm grab rail S6452 for back of door

# WC Cubicle

## layout requirements

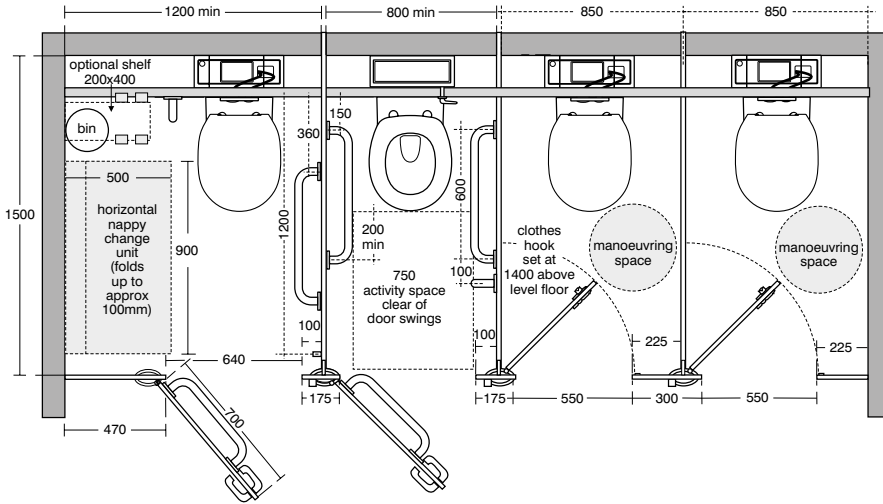
Equipment for extra wide enlarged WC cubicle suitable for ambulant disabled, people with babies or small children and/or people with large bags/luggage. This installation conforms to Document M of the Building Regulations.

November 2017	
Uniclass PR_40_20	CAWS N13
C/SFB	(74)

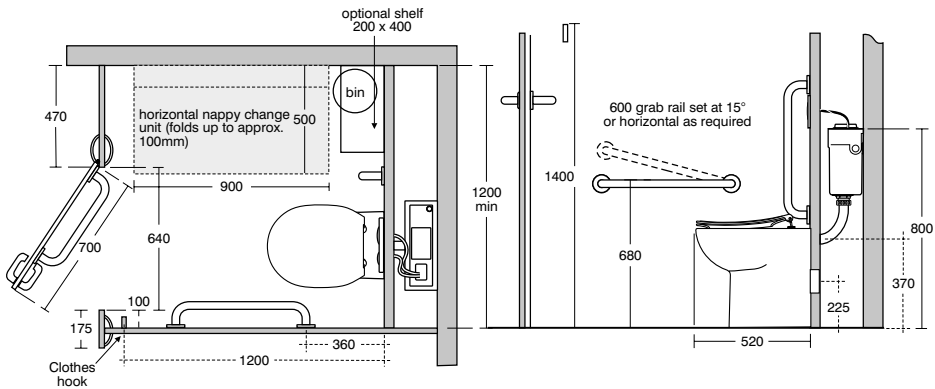
ARMITAGE SHANKS

Ambulatory accessible

November 2017	
Uniclass PR_40_20	CAWS N13
C/SFB	(74)



# Shower/Changing





# Shower Room Pack

An installation for use by ambulant disabled, walking impaired and infirm people, providing shower area with slip resistant floor, hinged seat, lever operated mixer, adjustable shower head, shower curtain and grab rails. Thermostatic shower valve TMV3 approved to help prevent scalding. The shower valve and diverter is more suited to duct installation.



November 2017	
Uniclass PR_40_20	CAWS N13
C/SFB	(74)

ARMITAGE SHANKS

Meets all Doc M Building Regulations

LABC approved

Lever operated mixer

Hinged seat

**Illustrated**

**S6960** Shower room pack with folding shower seat and back support in grey, 3 x 60cm grab rails, 2 x hinged rails and 2 x 45cm grab rails, lever operated thermostatic mixer for concealed supplies, shower handset holder, handset & hose, fixed short projection shower head. Lever operated diverter.

**Weight**

Doc M Pack 69.7kg

**Finishes**

Available in White (AC), Blue (LI), Charcoal (RN), Grey (LJ), Stainless Steel (MY)

**Standards**

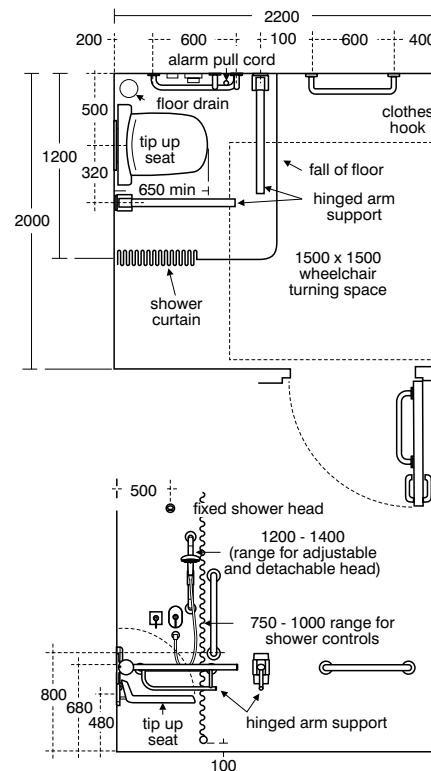
Contour 21 shower valve A4129 to TMV3

**Special notes**

For LRV and RAL numbers see Doc M introduction.  
Fixing heights: Floor to top of shower seat 480mm. Floor to centre of back rest of rail 800mm. Floor to centre of horizontal grab rail 800mm

# Shower Room individual items

Individual items on an installation for use by ambulant disabled, walking impaired and infirm people, providing shower area with slip resistant floor, hinged seat, lever operated mixer, adjustable shower head, shower curtain and grab rails. Thermostatic shower valve TMV3 approved to help prevent scalding. The shower valve and diverter is more suited to duct installation.



November 2017	
Uniclass PR_40_20	CAWS N13
C/SFB	(74)

ARMITAGE SHANKS

For complete pack use pack codes on previous page

For individual items use codes below

**Illustrated**

- S6632** Shower seat, folding 650mm projection fixed height
- S6635** Multi-System back support fixed height
- S6750** Multi-System shower curtain 1200 x 1200mm
- S6751** Contour 21 angled shower curtain rail
- A4129** Contour 21 thermostatic built-in shower mixer, lever operated
- S9313** Short projection shower head for concealed or exposed supply
- B9304** Armaglide 2 handspray, single function
- E4745** Shower hose, 1.35m long
- L6919** Lever operated shower diverter
- B9448** Wall elbow
- S6454** Contour 21 grab rail straight 60cm long x 35mm diameter
- S6452** Contour 21 grab rail straight 45cm long x 35mm diameter
- S6477** Contour 21 shower handset holder, sliding
- S6360** Contour 21 hinged support rail 80 x 35mm diameter, Doc M Compliant
- S5093** Clothes hook screw to wall, plastic
- EEM134901** Hose bracket chrome

**Finishes**

Shower seat in Grey (XK)  
Back support in Grey (XK)  
Grab rail available in White (AC), Blue (36), Grey (LJ), Charcoal (RN), Stainless steel (MY)  
Clothes hook available in White (AC), Blue (LI)

**Standards**

Contour 21 shower valve A4129 to TMV3

**Special notes**

For LRV and RAL numbers see Doc M introduction.  
600mm grab rail S6454 x 3 for room set  
450mm grab rail S6452 is for back of door  
Hinged grab rails S6560 x 2

Shower/Changing

Doc M

Shower/Changing

Doc M



# Changing Area individual items

Individual items for a self contained changing area accessible for wheelchair users conforming to the requirements of Document M of the building regulations.

November 2017	
Uniclass PR_40_20	CAWS N13
C/SFB	(74)

ARMITAGE SHANKS

Wheelchair turning space

Optional grab rail finishes

**Illustrated**

- S6632** Shower seat, folding 650mm projection fixed height
- S6635** Multi-System back support fixed height
- S6750** Multi-System shower curtain 1200 x 1200mm
- S6751** Contour 21 angled shower curtain rail
- S6360** Contour 21 hinged support rail 80 x 35mm diameter, Doc M Compliant
- S6454** Contour 21 grab rail straight 60cm long x 35mm diameter
- S6452** Contour 21 grab rail straight 45cm long x 35mm diameter
- S5093** Clothes hook screw to wall, plastic

**Weight**

Doc M Pack 69.7kg

**Finishes**

Shower seat in Grey (XK)  
 Back support in Grey (XK)  
 Grab rails available in White (AC), Blue (36), Grey (LJ), Charcoal (RN), Stainless steel (MY)  
 Clothes hook available in White (AC), Blue (LJ)

**Special notes**

For LRV and RAL numbers see Doc M introduction. Fixing heights: Floor to top of shower seat 480mm Floor to centre of back rest of rail 800mm Floor to centre of horizontal grab rail 800mm.  
 600mm grab rail S6454 x 2  
 hinged grab rail S6360 x 2 for room set  
 450mm grab rail S6452 is for back of door



# Changing Area layout

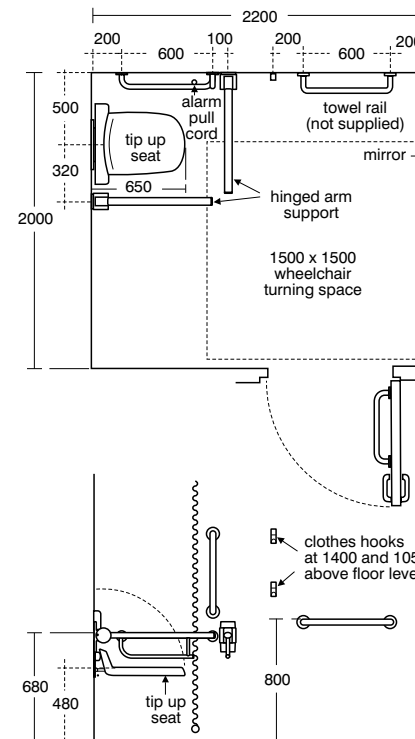
Individual items for a self contained changing area accessible for wheelchair users conforming to the requirements of Document M.

November 2017	
Uniclass PR_40_20	CAWS N13
C/SFB	(74)

ARMITAGE SHANKS

Wheelchair turning space

Optional grab rail finishes



November 2017	
Uniclass PR_40_20	CAWS N13
CI/SFB	(74)

November 2017	
Uniclass PR_40_20	CAWS N13
CI/SFB	(74)

# Urinal

# Urinals

Urinals accessible to wheelchair users and ambulant disabled.

November 2017	
Uniclass PR_40_20	CAWS N13
CI/SFB	(74)

ARMITAGE SHANKS

Meets all Document M  
Building Regulations

Other rail colour  
options available

Turning space for wheelchair



**Illustrated**

- S6103** Sandringham wall bowl urinal
- S6454** Contour 21 grab rail straight 60cm long x 35mm diameter
- S6215** Conceala auto cistern 4.5 litre with cover, auto syphon and petcock
- S8770** Waste 1½" strainer waste brass with stainless steel dome
- S8915** Trap 1½" plastic bottle with 75mm seal
- S6226** Flushpipes concealed for 1 bowl urinal
- S6265** Spreader, back inlet Sandringham
- S9275** Urinal concealed hangers

**Material**

Vitreous China

**Weight**

Bowl urinal 7.3kg  
4.5 litre auto cistern 3.0kg

**Finishes**

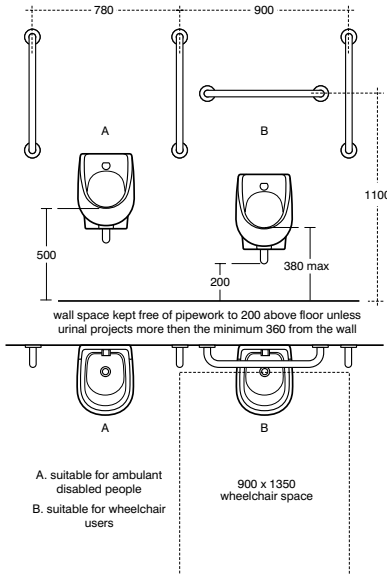
Urinal in White (01)  
Grab rails available in White (AC), Blue (36), Grey (LJ), Charcoal (RN), Stainless steel (MY)

**Standards**

Layout conforms to BS8300:2001 and Document M of the Building Regulations

**Special notes**

For LRV & RAL numbers see Doc M introduction. Wheelchair users may be able to pull themselves to a standing position to use a urinal, or they may be able to use a urinal from their wheelchair. The lower urinal position shown is also beneficial to a person of lower stature. Must be used in wheelchair accessible male washrooms. Minimum of 2 x 600mm S6454 grab rails



# Special Care



Care products 12:1:1

Rails and hinged supports 12:2:1

## Icon key

-  Residential
-  Public Places
-  Water Savings
-  Hospitals & Healthcare
-  Disabled Access
-  Doc M Compliant
-  Education
-  Spacesaving
-  Hotels
-  Anti-vandal

Special Care

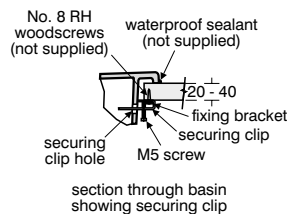
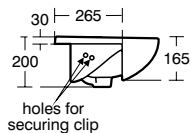
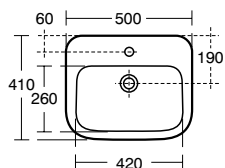
# Special Care

## Care Products

# Profile 21

## 50cm semi-countertop washbasin

Semi-countertop compact washbasin for use in vanity units and countertops.



November 2017	
Uniclass PR_40_20	CAWS N13
C/S/FB	(74)

### ARMITAGE SHANKS

General purpose

Hygienic no overflow and no chainhole

1 or 2 taphole options

#### Illustrated

**S2493** Profile 21 50cm semi-countertop washbasin 1 taphole no overflow or chainstay hole

**B8261** Piccolo 21 basin monoblock single lever mixer with pop-up waste, fitted 5 litres per minute aerated flow regulator, optional flow straightener, Easyfix, temperature limit stop, flexible tails

**S8920** Trap 1¼" plastic resealing bottle with 75mm seal, multi-purpose outlet

#### Material

Fine Fireclay

#### Weight

50cm washbasin 11.9kg

#### Finishes

Available in White (01)

#### Standards

Washbasin to BS EN 14688 & BS EN 31

#### Options

**S2495** Profile 21 50cm semi-countertop washbasin 2 tapholes no overflow with chainstay hole

**S2588** Profile 21 50cm semi-countertop washbasin 1 right hand taphole no overflow or chainstay hole

#### Special notes

Washbasin fixed to countertop with securing clips provided. Joint sealed with waterproof sealant (not supplied)



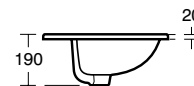
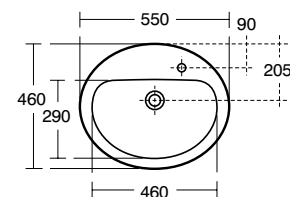
12 : 1 : 2

Tel 0870 122 8822 Fax 0870 122 8282  
Email [info@thebluebook.co.uk](mailto:info@thebluebook.co.uk)  
Online search, specify & CAD: [www.thebluebook.co.uk](http://www.thebluebook.co.uk)

# Orbit 21

## 55cm countertop washbasin

Self rimming countertop medium washbasin.



November 2017	
Uniclass PR_40_20	CAWS N13
C/S/FB	(74)

### ARMITAGE SHANKS

General purpose medium basin

Hygienic no overflow and no chainhole

1 or 2 tapholes & right hand taphole option

#### Illustrated

**S2490** Orbit 21 55cm countertop washbasin 1 right hand taphole no overflow or chainstay hole

**A6698** Contour 21+ 1 hole thermostatic basin mixer, sequential lever with flexible tails

**S8720** Waste 1¼" brass strainer waste, 80mm unslotted tail

**S8920** Trap 1¼" plastic resealing bottle with 75mm seal, multi-purpose outlet

#### Material

Vitreous China

#### Weight

55cm washbasin 8.1kg

Basin mixer 2.0kg

#### Finishes

Available in White (01)

#### Standards

Vitreous china to BS 3402

#### Options

**S2490** Orbit 21 55cm countertop washbasin 1 right hand taphole no overflow no chainstay hole

**S2487** Orbit 21 countertop washbasin 55cm 1 taphole no overflow



12 : 1 : 3

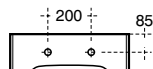
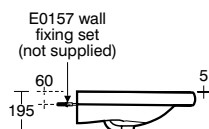
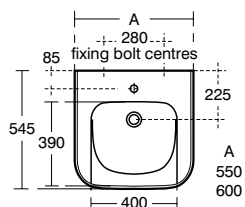
Tel 0870 122 8822 Fax 0870 122 8282  
Email [info@thebluebook.co.uk](mailto:info@thebluebook.co.uk)  
Online search, specify & CAD: [www.thebluebook.co.uk](http://www.thebluebook.co.uk)

## Special Care

# Contour 21

## 60-55cm accessible washbasins

Contour 21 accessible 60cm and 55cm washbasins are designed specifically to allow people using wheelchairs access to the washbasin wash area.



November 2017	
Uniclass PR_40_20	CAWS N13
C/SFB	(74)

ARMITAGE SHANKS

### Special care use

Available in 60 and 55cm

Available in one, two or no tapholes

Wheelchair knee clearance

Hand hold facility

### Illustrated

**S2168** Contour 21 60cm accessible washbasin, 1 taphole with overflow

**A6697** Contour 21+ 1 hole thermostatic basin mixer, single sequential lever with copper tails

**S8733** Waste 1¼" brass anti theft swivel plug waste, 80mm slotted tail

**E0079** Trap 1¼" Contemporary metal bottle

**E0157** Wall fixing set

### Material

Vitreous China

### Weight

60cm washbasin 17.6kg

55cm washbasin 16.9kg

### Finishes

Available in White (01)

### Standards

Conforms to HTM64 (2006), HTM04 and Doc M. TMV3 Thermostatic Mixing Valve approved

### Options

**S2169** Contour 21 60cm accessible washbasin, 2 tapholes with overflow and chainstay hole

**S2167** Contour 21 60cm accessible washbasin, no tapholes with overflow

**S2165** Contour 21 55cm accessible washbasin, 1 taphole with overflow

**S2166** Contour 21 55cm accessible washbasin, 2 tapholes with overflow and chainstay hole

**S2164** Contour 21 55cm accessible washbasin, no taphole, with overflow, no chainstay hole

### Special notes

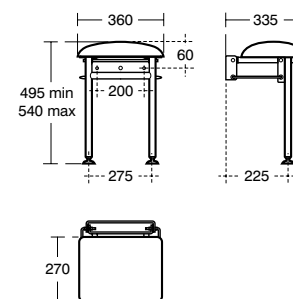
Suitable for use with handrinse basins in public areas and Doc M. Satisfies DDA requirements. Single easy use lever operates on/off and temperature control. Eliminates the need for premixed water



## Special Care

# Folding Shower Seat

This wall mounted shower seat is compact and can be folded neatly against the wall when not in use to save space. Its padded seat provides comfort, is easy to clean and provides no dirt traps. When in use, the legs provide security and strength (up to 159kg, 25 stone) and the feet can be adjusted to cater for uneven floor surfaces.



November 2017	
Uniclass PR_40_20	CAWS N13
C/SFB	(74)

ARMITAGE SHANKS

Wall mounted

Easy to clean

Supports up to 159kg

### Illustrated

**S6850** Shower seat folding with legs

### Material

Mixed Material

### Weight

Shower seat 4.0kg

### Finishes

Available in White (01)

### Special notes

Maximum seat load 159kg

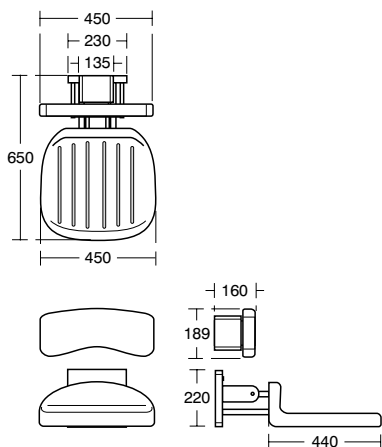




# Folding Shower Seat

## 65cm projection

Fixed height folding shower seat.



November 2017	
Uniclass PR_40_20	CAWS N13
C/S/F/B	(74)

ARMITAGE SHANKS

Folding seat  
Optional back support

### Illustrated

**S6632** Shower seat, folding 65cm projection fixed height

**S6635** Multi system back support, fixed height

### Material

Mixed Material

### Weight

Shower seat 9.6kg  
Back support 4.0kg

### Finishes

Available in Grey (XK)

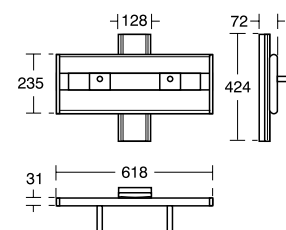
### Special notes

Maximum seat load 125kg

# Care Plus Washbasin Bracket

## vertical adjustment

The Care Plus range provides the flexibility to alter the position of bathroom and washroom fixtures to meet user needs. It includes the ability to adjust the height of basins and shower seats as well as offering a variety of accessories.



November 2017	
Uniclass PR_40_20	CAWS N13
C/S/F/B	(74)

ARMITAGE SHANKS

Vertical adjustment washbasin bracket

### Illustrated

**S0641** Care Plus washbasin mounting bracket, manually operated, vertical adjustment

**S2252** Portman 21 50cm washbasin, 1 taphole, no overflow or chainstay hole

**A6698** Contour 21+ 1 hole thermostatic basin mixer, single sequential lever with flexible tails

**S8803** Waste 1¼" Click plug waste, 80mm slotted tail

**S0649** Care Plus flexible 70cm feed and 70cm waste system for vertical adjustment only

### Material

Mixed Material

### Weight

Mounting bracket 5.7kg  
50cm washbasin 12.6kg  
Basin mixer 2.0kg

### Finishes

Neutral / No Finish (67)  
Basin in White (01)

### Options

**S0651** Care Plus washbasin mounting bracket, electrically operated by lever, vertical adjustment

**S0652** Care Plus washbasin mounting bracket, gas cell counter balanced with lever lock, vertical adjustment

### Special notes

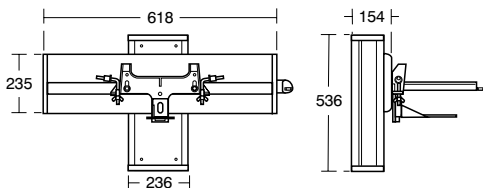
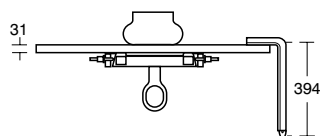
S0641 Maximum vertical adjustment 240mm  
S0651/S0651 Maximum vertical adjustment 300mm



# Care Plus Salonex Gas Cell Washbasin Bracket

## vertical adjustment

The Care Plus range provides the flexibility to alter the position of bathroom and washroom fixtures to meet user needs. It includes the ability to adjust the height of basins and shower seats as well as offering a variety of accessories.



November 2017	
Uniclass PR_40_20	CAWS N13
C/S/F/B	(74)

ARMITAGE SHANKS

### Vertical adjustment washbasin bracket

#### Illustrated

**S0647** Care Plus Salonex washbasin mounting bracket, gas cell counter balanced with lever lock, vertical adjustment

**S2300** Salonex 61cm washbasin with 2 tapholes

**S7450** Starlite hairdressers washbasin mixer 1 hole with metal handles, flexible 1.5m hose, handspray and metal sleeve (inlets plain 10mm copper pipe)

**S8730** Waste 1¼" brass strainer waste with lift out grid

**S0649** Care Plus flexible 70cm feed and 70cm waste system for vertical adjustment only

#### Material

Mixed Material

#### Weight

Mounting bracket 12.2kg

61cm washbasin 14.2kg

Basin mixer 1.6kg

#### Finishes

Neutral / No Finish (67)

Basin in White (01)

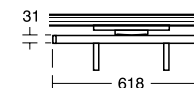
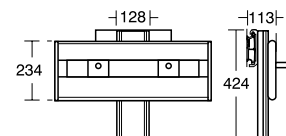
#### Special notes

Maximum vertical adjustment 300mm

# Care Plus Washbasin Bracket

## vertical and horizontal adjustment

The Care Plus range provides the flexibility to alter the position of bathroom and washroom fixtures to meet user needs. It includes the ability to adjust the height of basins and shower seats as well as offering a variety of accessories.



November 2017	
Uniclass PR_40_20	CAWS N13
C/S/F/B	(74)

ARMITAGE SHANKS

### Vertical and horizontal adjustment washbasin bracket

#### Illustrated

**S0653** Care Plus washbasin mounting bracket, manually operated, vertical and horizontal adjustment

**S0656** Care Plus track 60cm length

**S2252** Portman 21 50cm washbasin, 1 taphole, no overflow or chainstay hole

**A6698** Contour 21+ 1 hole thermostatic basin mixer, single sequential lever with flexible tails

**S8803** Waste 1¼" Click plug waste, 80mm slotted tail

**S0650** Care Plus flexible 120cm feed and 150cm waste system for sideways adjustment

**S0659** Track stop

#### Material

Mixed Material

#### Weight

Mounting bracket 8.9kg

60cm track 1.5kg

50cm washbasin 12.6kg

Basin mixer 2.0kg

#### Finishes

Neutral / No Finish (67)

Basin in White (01)

#### Options

**S0654** Care Plus washbasin mounting electrically operated by lever, vertical and horizontal adjustment

**S0655** Care Plus washbasin mounting bracket, gas cell counter balanced with lever lock, vertical and horizontal adjustment

**S0657** Care Plus track 90cm length

**S0658** Care Plus track 120cm length

#### Special notes

S0653 Maximum vertical adjustment 240mm

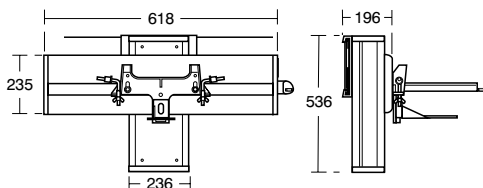
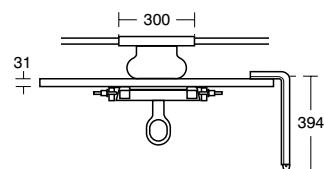
S0654/S0655 Maximum vertical adjustment 300mm



# Care Plus Salonex Gas Cell Washbasin Bracket

## vertical and horizontal adjustment

The Care Plus range provides the flexibility to alter the position of bathroom and washroom fixtures to meet user needs. It includes the ability to adjust the height of basins and shower seats as well as offering a variety of accessories.



November 2017	
Uniclass PR_40_20	CAWS N13
CI/SFB (74)	

ARMITAGE SHANKS

Vertical and horizontal adjustment washbasin bracket

**Illustrated**

**S0646** Care Plus Salonex washbasin mounting bracket, gas cell counter balanced with lever lock, vertical and horizontal adjustment

**S0656** Care Plus track 60cm length

**S2300** Salonex 61cm washbasin with 2 tapholes

**S7450** Starlite hairdressers washbasin mixer 1 hole with metal handles, flexible 1.5m hose, handspray and metal sleeve (inlets plain 10mm copper pipe)

**S8730** Waste 1 1/4" brass strainer waste with lift out grid

**S0650** Care Plus flexible 120cm feed and 150cm waste system for sideways adjustment

**S0659** Track stop

**Material**

Mixed Material

**Weight**

Mounting bracket 14.0kg

60cm track 1.5kg

61cm washbasin 14.2kg

Basin mixer 1.6kg

**Finishes**

Neutral / No Finish (67)

Basin in White (01)

**Options**

**S0657** Care Plus track 90cm length

**S0658** Care Plus track 120cm length

**Special notes**

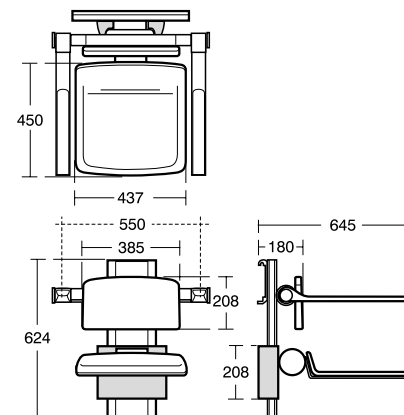
Maximum vertical adjustment 300mm



# Care Plus Shower Chair

## vertical and horizontal adjustment

The Care Plus range provides the flexibility to alter the position of bathroom and washroom fixtures to meet user needs. It includes the ability to adjust the height of basins and shower seats as well as offering a variety of accessories.



November 2017	
Uniclass PR_40_20	CAWS N13
CI/SFB (74)	

ARMITAGE SHANKS

Vertical and horizontal adjustment shower chair bracket

**Illustrated**

**S0642** Care Plus shower chair with arm supports, vertical and horizontal adjustment

**S0657** Care Plus track 90cm length

**S0659** Track stop

**Material**

Mixed Material

**Weight**

Shower chair 19.3kg

90cm track 2.2kg

**Finishes**

Neutral / No Finish (67)

Shower chair in White (AC)

**Options**

**S0656** Care Plus track 60cm length

**S0658** Care Plus track 120cm length

**Special notes**

Maximum vertical adjustment 200mm



# Care Plus

## folding shower seats

The Care Plus range provides the flexibility to alter the position of bathroom and washroom fixtures to meet user needs. It includes the ability to adjust the height of basins and shower seats as well as offering a variety of accessories.

November 2017	
Uniclass PR_40_20	CAWS N13
C/S/FB (74)	

### ARMITAGE SHANKS

#### Vertical and horizontal adjustment washbasin bracket

**Illustrated**

- S0643** Care Plus folding shower seat, fixed height
- S0644** Care Plus folding shower seat, height adjustable up to 240mm
- S0645** Care Plus folding shower seat, adjustable height and back rest

**Material**

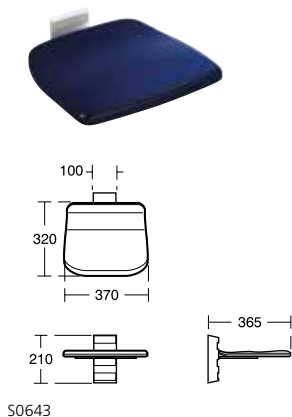
Mixed Material

**Weight**

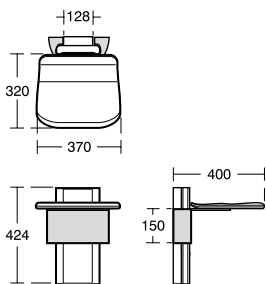
- S0643 4.1kg
- S0644 5.3kg
- S0645 10.5kg

**Finishes**

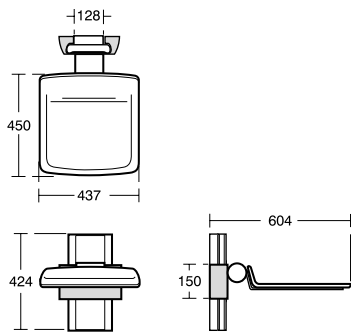
- S0643 in Blue (36)
- S0644 and S0645 in White (AC)



S0643



S0644



S0645



# CTV

## built-in shower mixer with extended lever

Built-in or exposed thermostatic shower mixer with extended lever concentric control. Ideal for both domestic and commercial installations, the valve offers precise temperature control which remains constant when the water pressure varies. The valve will operate on very different inlet pressures (5:1)

November 2017	
Uniclass PR_40_20	CAWS N13
C/S/FB (74)	

### IDEAL STANDARD

- Extended easy use lever
- Temperature limit stop
- Also available as a pack

**Illustrated**

**A3085** CTV EL built-in concentric thermostatic mixer with extended lever

**Material**

Chrome Plated Metal

**Weight**

2.8kg

**Finishes**

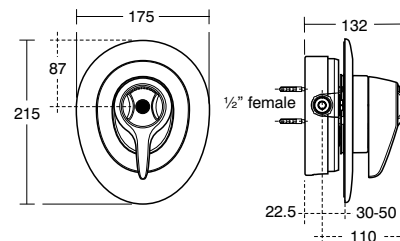
Chrome (AA)

**Options**

**A3084** CTV EL exposed concentric thermostatic mixer with extended lever

**Special notes**

Operating pressures from 0.1 to 5.0 bar. Suitable for unbalanced systems up to 5:1. Suitable for rising or falling supplies. Inlets and outlet screwed 1/2" BSP male. Flow rate 7.5 litres per minute @ 0.1 bar. WRAS NO. 1611051

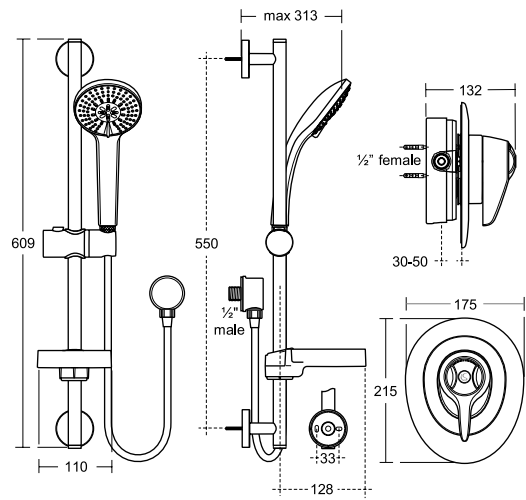


## Special Care

# CTV

## built-in shower pack with extended lever

Shower pack comprises of a CTV built-in thermostatic shower mixer with an extended lever for ease of operation and Idealrain M3 shower kit.



November 2017	
Uniclass PR_40_20	CAWS N13
C/S/F/B	(74)

### IDEAL STANDARD

Temperature limit stop  
Extended lever

#### Illustrated

**A5784** CTV EL built-in concentric thermostatic mixer with extended lever & Idealrain M3 shower kit

#### Material

Chrome Plated Metal

#### Weight

5.2kg

#### Finishes

Chrome (AA)

#### Special notes

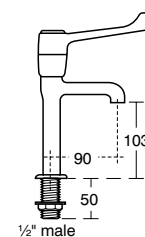
Removable 8 litre per minute Eco flow regulator. Flow rate 5 litres per minute @ .01 bar. Pack includes a TMV3 approved shower mixer A3085. WRAS NO. 1611051 CTV mixer, 1203083 Idealrain shower kit

## Special Care

# Markwik

## high neck pillar taps

Fittings for sluices, washbasins and sinks. When taps are closed levers are parallel to wall. Suitable for low or high pressure systems.



November 2017	
Uniclass PR_40_20	CAWS N13
C/S/F/B	(74)

### ARMITAGE SHANKS

15cm lever taps  
Suitable for closed fist operation  
Chrome plated  
High neck sink pillar taps

#### Illustrated

**S8265** Markwik 1/2" high neck pillar taps

#### Material

Chrome Plated Metal

#### Weight

2.3kg

#### Finishes

Chrome (AA)

#### Special notes

Inlets screwed 1/2" BSP male. For use in connection with domestic services procedures. WRAS NO. 1305006

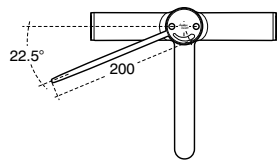
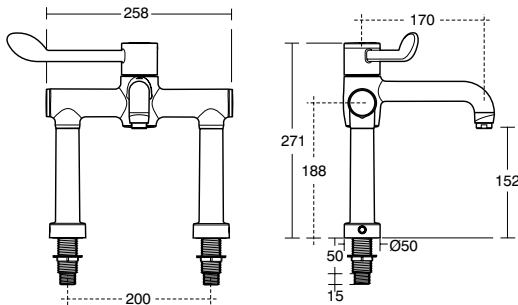


## Special Care

# Markwik 21+

## demountable pillar mixer, single lever sequential with bioguard

Pillar mounted thermostatic basin mixer with lever operation for use on two taphole basins. Insulated technology keeps the 'hot' side of the mixer at a safe surface temperature. Includes a thermal disinfection feature. Body demounts from legs for submergible disinfection and Bioguard outlet also helps protect against bacteria.



12 : 1 : 16

Tel 0870 122 8822 Fax 0870 122 8282  
Email [info@thebluebook.co.uk](mailto:info@thebluebook.co.uk)  
Online search, specify & CAD: [www.thebluebook.co.uk](http://www.thebluebook.co.uk)

November 2017	
Uniclass PR_40_20	CAWS N13
C/S/F/B	(74)

### ARMITAGE SHANKS

General healthcare  
Thermal disinfection feature  
Demount, submerge and disinfect  
Conforms to HBN 04-01  
Addendum 2014  
Bioguard against bacteria

#### Illustrated

**A6734** Markwik 21+ 2 hole thermostatic basin mixer, single sequential lever, demountable

#### Material

Chrome Plated Brass

#### Weight

4.0kg

#### Finishes

Chrome (AA)

#### Options

**A6898** Markwik 21+ purging kit for 2 hole thermostatic mixers

#### Special notes

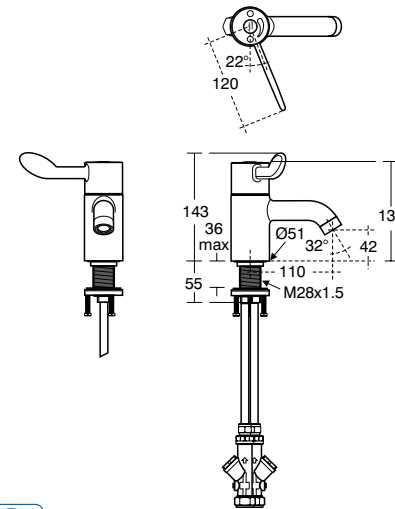
Single lever for on/off operation and temperature control. Fitted with an Armitage Bioguard outlet which reduces the opportunity for biofilm attachment and is lined with antimicrobial copper. Unique built-in thermal disinfection cleansing feature. Body demounts for submergible disinfection. Suitable for high and low pressure systems. Flow rate regulated to maximum of 10 litres per minute. A separate purging kit is available to facilitate initial installation flushing and water sampling. WRAS NO. 1704022

## Special Care

# Contour 21+

## thermostatic sequential basin mixer

Deck mounted thermostatic basin mixer with lever operation for use on one taphole basins. Long lever gives precise control.



15mm compression



12 : 1 : 17

Tel 0870 122 8822 Fax 0870 122 8282  
Email [info@thebluebook.co.uk](mailto:info@thebluebook.co.uk)  
Online search, specify & CAD: [www.thebluebook.co.uk](http://www.thebluebook.co.uk)

November 2017	
Uniclass PR_40_20	CAWS N13
C/S/F/B	(74)

### ARMITAGE SHANKS

Commercial and Doc M use  
Anti-vandal laminar flow outlet  
Copper or flexible tails  
Water saving

#### Illustrated

**A6697** Contour 21+ 1 hole thermostatic basin mixer, sequential lever with copper tails

#### Material

Chrome Plated Brass

#### Weight

2.1kg

#### Finishes

Chrome (AA)

#### Options

**A6698** Contour 21+ 1 hole thermostatic basin mixer, sequential lever with flexible tails

#### Special notes

Single sequential lever for on/off operation and temperature control. Supplied with service valves which include isolators, strainers, check valves, flow regulators and 15mm compression connections. Temperature factory set to 40±1°C. Suitable for high and low pressure systems. Factory fitted 3.8 litres per minute flow regulator in an anti-vandal housing. 1.9 litres per minute Eco spray outlet also supplied. Clamping ring with three fixing screws for added security. WRAS NO. 1705011





# Contour 21

## wall mounted bath shower mixer

A stylish wall mounted exposed thermostatic fail safe bath shower mixer with built-in safety stop feature. Small lever operated.



November 2017	
Uniclass PR_40_20	CAWS N13
C/SFB	(74)

### ARMITAGE SHANKS

- Automatic safety shut off
- Small lever dual control
- Sealed wall escutcheons
- Thermal disinfection facilities

**Illustrated**

**A4128** Contour 21 bath shower mixer thermostatic wall mounted

**Material**

Chrome Plated Metal

**Weight**

3.8kg

**Finishes**

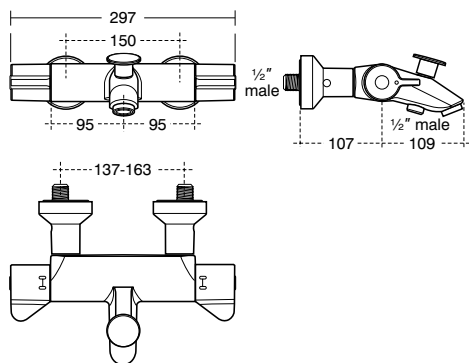
Chrome (AA)

**Options**

**B8485** Panel fix escutcheons pair, for bar style shower

**Special notes**

Suitable for Armaglide and Idealrain shower kits. Inlets and outlet 1/2" BSP male. Inlet isolating valves for front of panel servicing. Thermal disinfection.



# Contour 21

## wall mounted built-in sequential shower mixer - extended lever

Sequential thermostatic 120mm lever operated, built in fail safe shower with safety stop feature. Suitable for balanced and unbalanced low or high pressure systems.



November 2017	
Uniclass PR_40_20	CAWS N13
C/SFB	(74)

### ARMITAGE SHANKS

- Extended easy use lever
- DDA compliant
- Automatic safety shut off
- Exposed version also available

**Illustrated**

**A4129** Contour 21 thermostatic built-in shower mixer, lever operated

**Material**

Chrome Plated Brass

**Weight**

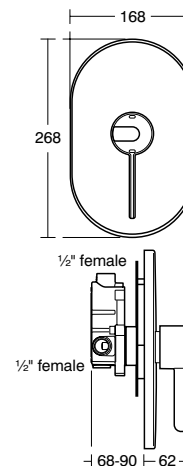
3.1kg

**Finishes**

Chrome (AA)

**Special notes**

Flow rate 2.5 litres per minute @ 0.2 bar. 7.5 Litres per minute @ 3 bar pressure. WRAS NO. 1604039

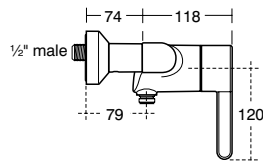
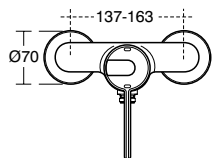




# Contour 21

## wall mounted exposed sequential shower mixer - extended lever

Sequential thermostatic 120mm lever operated, build in fail safe shower with safety stop feature. Suitable for balanced and unbalanced low or high pressure systems.



November 2017	
Uniclass PR_40_20	CAWS N13
C/SFB	(74)

### ARMITAGE SHANKS

- Extended easy use lever
- DDA compliant
- Automatic safety shut off
- Built-in version also available

#### Illustrated

**A4130** Contour 21 thermostatic exposed shower mixer, lever operated

#### Material

Chrome Plated Brass

#### Weight

2.9kg

#### Finishes

Chrome (AA)

#### Options

**B8634** Fast Fix wall bracket for bar valves with 150mm pipe centres

#### Special notes

Operating pressures from 0.2 to 5.0 bar. Suitable for Armaglide and Idealrain shower kits. TMV Thermostatic Mixing Valve Scheme approved. Meeting the requirements of the NHS Model Engineering Specification - D 08 for Type 3 valves. Inlet isolation valves allow front of panel servicing. Flow rate 6 litres per minute at 0.2 bar. 4.7 litres per minute @ 3 bar pressure. WRAS NO. 1212020

November 2017	
Uniclass PR_40_20	CAWS N13
C/SFB	(74)

# Special Care

## Rails and Hinged Supports



# Contour 21

## grab rails

Contour 21 Grab Rails	Code and description
	S6450AC 30cm straight grab rail - white
	S6450MY 30cm straight grab rail - stainless steel
	S6450LJ 30cm straight grab rail - grey
	S645036 30cm straight grab rail - blue
	S6450RN 30cm straight grab rail - charcoal
	S6452AC 45cm straight grab rail - white
	S6452MY 45cm straight grab rail - stainless steel
	S6452LJ 45cm straight grab rail - grey
	S645236 45cm straight grab rail - blue
	S6452RN 45cm straight grab rail - charcoal
	S6453AC 50cm straight grab rail - white
	S6453MY 50cm straight grab rail - stainless steel
	S6453LJ 50cm straight grab rail - grey
	S645336 50cm straight grab rail - blue
	S6453RN 50cm straight grab rail - charcoal
	S6454AC 60cm straight grab rail - white
	S6454MY 60cm straight grab rail - stainless steel
	S6454LJ 60cm straight grab rail - grey
	S645436 60cm straight grab rail - blue
	S6454RN 60cm straight grab rail - charcoal

Contour 21 Grab Rails	Code and description
	S6455AC 70cm straight grab rail - white
	S6455MY 70cm straight grab rail - stainless steel
	S6455LJ 70cm straight grab rail - grey
	S645536 70cm straight grab rail - blue
	S6455RN 70cm straight grab rail - charcoal
	S6457AC 80cm straight grab rail - white
	S6457MY 80cm straight grab rail - stainless steel
	S6457LJ 80cm straight grab rail - grey
	S645736 80cm straight grab rail - blue
	S6457RN 80cm straight grab rail - charcoal
	S6458AC 90cm straight grab rail - white
	S6458MY 90cm straight grab rail - stainless steel
	S6458LJ 90cm straight grab rail - grey
	S645836 90cm straight grab rail - blue
	S6458RN 90cm straight grab rail - charcoal
	S6459AC 100cm straight grab rail - white
	S6459MY 100cm straight grab rail - stainless steel
	S6459LJ 100cm straight grab rail - grey
	S645936 100cm straight grab rail - blue
	S6459RN 100cm straight grab rail - charcoal

Contour 21 Grab Rails	Code and description
	<b>S6460AC</b> 110cm straight grab rail - white
	<b>S6460MY</b> 110cm straight grab rail - stainless steel
	<b>S6460LJ</b> 110cm straight grab rail - grey
	<b>S646036</b> 110cm straight grab rail - blue
	<b>S6460RN</b> 110cm straight grab rail - charcoal
	<b>S6466AC</b> 40 x 22cm back rest without cushion - white
	<b>S6466MY</b> 40 x 22cm back rest without cushion - stainless steel
	<b>S6466LJ</b> 40 x 22cm back rest without cushion - grey
	<b>S646636</b> 40 x 22cm back rest without cushion - blue
	<b>S6466RN</b> 40 x 22cm back rest without cushion - charcoal
	<b>S6481AC</b> 40 x 17cm back rest without cushion - white
	<b>S6481MY</b> 40 x 17cm back rest without cushion - stainless steel
	<b>S6481LJ</b> 40 x 17cm back rest without cushion - grey
	<b>S648136</b> 40 x 17cm back rest without cushion - blue
	<b>S6481RN</b> 40 x 17cm back rest without cushion - charcoal
	<b>S688467</b> Back cushion support & clips

Contour 21 Grab Rails	Code and description
	<b>S6360AC</b> 80cm projection hinged support arm Doc M compliant - white
	<b>S6360MY</b> 80cm projection hinged support arm Doc M compliant - stainless steel
	<b>S6360LJ</b> 80cm projection hinged support arm Doc M compliant - grey
	<b>S636036</b> 80cm projection hinged support arm Doc M compliant - blue
	<b>S6360RN</b> 80cm projection hinged support arm Doc M compliant - charcoal
	<b>S6361AC</b> 65cm projection hinged support arm NHS compliant - white
	<b>S6361MY</b> 65cm projection hinged support arm NHS compliant - stainless steel
	<b>S6361LJ</b> 65cm projection hinged support arm NHS compliant - grey
	<b>S636136</b> 65cm projection hinged support arm NHS compliant - blue
	<b>S6361RN</b> 65cm projection hinged support arm NHS compliant - charcoal

Contour 21 Grab Rails	Code and description
	<b>S6363AC</b> Toilet roll holder for hinged support arm - white
	<b>S6363MY</b> Toilet roll holder for hinged support arm - stainless steel
	<b>S6363LJ</b> Toilet roll holder for hinged support arm - grey
	<b>S636336</b> Toilet roll holder for hinged support arm - blue
	<b>S6363RN</b> Toilet roll holder for hinged support arm - charcoal
	<b>S6472AC</b> 45 x 45cm cranked grab rail - white
	<b>S6472MY</b> 45 x 45cm cranked grab rail - stainless steel
	<b>S6472LJ</b> 45 x 45cm cranked grab rail - grey
	<b>S647236</b> 45 x 45cm cranked grab rail - blue
	<b>S6473AC</b> 90 x 40cm angled shower grab rail - right hand - white
	<b>S6473MY</b> 90 x 40cm angled shower grab rail - right hand - stainless steel
	<b>S6473LJ</b> 90 x 40cm angled shower grab rail - right hand - grey
	<b>S647336</b> 90 x 40cm angled shower grab rail - right hand - blue
	<b>S6473RN</b> 90 x 40cm angled shower grab rail - right hand - charcoal

Contour 21 Grab Rails	Code and description
	<b>S6474AC</b> 90 x 40cm angled shower grab rail - left hand - white
	<b>S6474MY</b> 90 x 40cm angled shower grab rail - left hand - stainless steel
	<b>S6474LJ</b> 90 x 40cm angled shower grab rail - left hand - grey
	<b>S647436</b> 90 x 40cm angled shower grab rail - left hand - blue
	<b>S6474RN</b> 90 x 40cm angled shower grab rail - left hand - charcoal
	<b>S6487AA</b> 45 x 45cm cranked grab rail - chrome plated
	<b>S6487MY</b> 45 x 45cm cranked grab rail - stainless steel
	<b>S6362AA</b> 80cm hinged support arm - chrome plated
	<b>S6362MY</b> 80cm hinged support arm - stainless steel
	<b>S6486AA</b> 45cm straight grab rail - chrome plated
	<b>S6486MY</b> 45cm straight grab rail - stainless steel
	<b>S6484AA</b> 60cm straight grab rail - chrome plated
	<b>S6484MY</b> 60cm straight grab rail - stainless steel

Uniclass PR_40_20	CAWS N13
CI/SFB	(74)

# Hospitals

HTM/HBN 00-10

13:1:1



## Icon key

-  Residential
-  Public Places
-  Water Savings
-  Hospitals & Healthcare
-  Disabled Access
-  Doc M Compliant
-  Education
-  Spacesaving
-  Hotels
-  Anti-vandal

November 2017	
Uniclass PR_40_20	CAWS N13
CI/SFB	(74)

November 2017	
Uniclass PR_40_20	CAWS N13
CI/SFB	(74)

# Hospital Products

## HTM/HBN 00-10

HTM/HBN 00-10

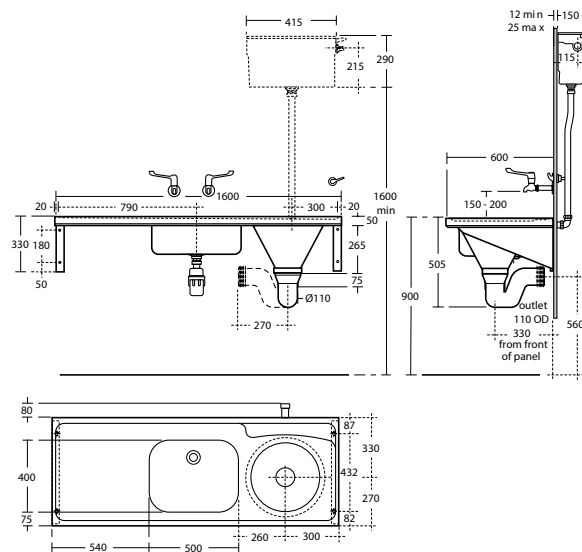
Hospital

Hospital

# HTM64

## (DU HS) Dee back inlet slop hopper

DU HS stainless steel plain top incorporating a sink and a hopper, with earthing terminal.



November 2017	
Uniclass PR_40_20	CAWS N13
C/S/F/B	(74)

### ARMITAGE SHANKS

Disposal unit assembly

Screw to wall

Handed left or right

Stainless Steel

#### Illustrated

**S6551** Dee right hand slop hopper with sink, back inlet

**S3626** Conceala 2 cistern 6 litre single flush syphon high level side supply and internal overflow, lever with chain

**S4663** Flushpipe 850 x 35mm diameter for slop hopper

**S3584** P trap outlet, plastic for slop hoppers

**S8760** Waste 1½" unslotted strainer waste, 50mm long, 75mm dia. brass

**S8925** Trap 1½" plastic resealing bottle with 75mm seal, multi-purpose outlet

**S8270** Markwik ½" bib taps

**B1686** Bib tap wall mounts ½" for concealed plumbing (pair)

**B1684** Bib tap extensions ½" x 100mm long (pair)

#### Material

Stainless Steel 1.4301 (304) x 1.2mm thick

#### Weight

Slop Hopper Combined With Sink 16.9kg  
6 Litre Cistern, single flush 2.7kg

#### Finishes

Available in Stainless Steel (MY)

#### Standards

1.2mm Stainless steel sheet conforms to BS EN 10088:Part 2:2005. Other items to relevant standards

#### Options

**S6552** Dee left hand slop hopper with sink, back inlet

**S3585** S trap outlet, plastic for slop hoppers

**S9281** Leg 900mm stainless steel to floor (2 required)

#### Special notes

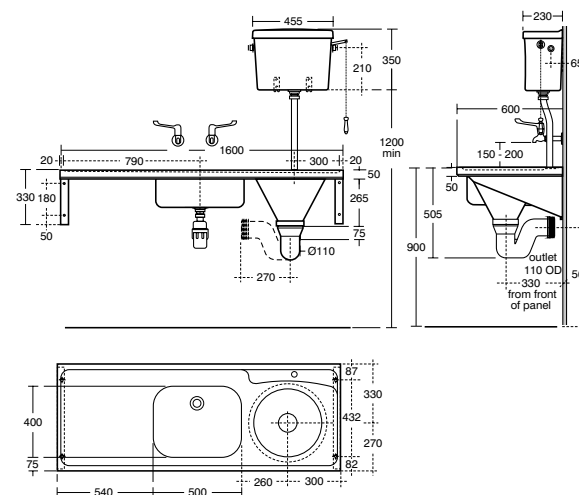
Note HTM64 does not cover for the provision of leg supports to floor



# HTM64

## (DU HS) Dee (replacement) top inlet slop hopper

DU HS stainless steel plain top incorporating a sink and a hopper, with earthing terminal.



November 2017	
Uniclass PR_40_20	CAWS N13
C/S/F/B	(74)

### ARMITAGE SHANKS

Disposal unit assembly

Screw to wall

Handed left or right

Stainless Steel

#### Illustrated

**S6553** Dee right hand slop hopper with sink, top inlet

**S8760** Waste 1½" unslotted strainer waste, 50mm long, 75mm diameter brass

**S3955** Clena cistern 6 litre single flush syphon, high level, side supply and internal overflow, chain with rubber pull (fittings are reversible)

**S4590** Cistern conversion kit - to 9 litre flush slop hopper

**S8925** Trap 1½" plastic resealing bottle with 75mm seal, multi-purpose outlet

**S3584** P trap outlet, plastic for slop hoppers

**S8270** Markwik ½" bib taps

**B1686** Bib tap wall mounts ½" for concealed plumbing (pair)

**B1684** Bib tap extensions ½" x 100mm long (pair)

#### Material

Stainless Steel 1.4301 (304) x 1.2mm thick

#### Weight

Slop Hopper Combined With Sink 16.9kg  
6 Litre Single Flush Cistern 15.1kg

#### Finishes

Available in Stainless Steel (MY)

#### Standards

1.2mm Stainless steel sheet conforms to BS EN 10088:Part 2:2005. Other items to relevant standards

#### Options

**S6554** Dee left hand slop hopper with sink, top inlet

**S6555** Dee sink and left hand slop hopper, top inlet, 2 tapholes

**S3585** S trap outlet, plastic for slop hoppers

**S9281** Leg 900mm stainless steel to floor (2 required)

#### Special notes

For the disposal of liquid and solid waste in connection with clinical procedures. HTM64 does not cover for the provision of leg supports to floor. Note 2.94 states that "Exposed services are visually unattractive, can be unhygienic and are difficult to clean and decorate. Indeed the additional cost of the latter over a number of years may well exceed any savings in initial capital costs"





# HTM64

## (DU H) Stirling back inlet slop hopper

DU H combined slop hopper and work surface with earthing terminal.



November 2017	
Uniclass PR_40_20	CAWS N13
C/S/F/B	(74)

### ARMITAGE SHANKS

Disposal unit assembly

Screw to wall

Handed left or right

Stainless Steel

#### Illustrated

**S6563** Stirling right hand slop hopper with work surface, back inlet

**S4663** Flushpipe 850 x 35mm diameter for slop hopper

**S3626** Conceala 2 cistern 6 litre single flush syphon high level side supply and internal overflow, lever with chain

**S3584** P trap outlet, plastic for slop hoppers

**S8270** Markwik 1/2" bib taps

**B1686** Bib tap wall mounts 1/2" for concealed plumbing (pair)

**B1684** Bib tap extensions 1/2" x 100mm long (pair)

#### Material

Stainless Steel 1.4301 (304) x 1.2mm thick

#### Weight

Slop Hopper 11.3kg

6 Litre Single Flush Cistern 2.7kg

#### Finishes

Available in Stainless Steel (MY)

#### Standards

Stainless Steel sheet, conforms to BS EN 10088: Part 2: 2005

#### Options

**S6564** Stirling left hand slop hopper with work surface, back inlet

**S3585** S trap outlet, plastic for slop hoppers

**S9281** Leg 900mm stainless steel to floor (2 required)

#### Special notes

Note HTM64 does not cover for the provision of leg supports to floor



# HTM64

## Stirling (replacement) top inlet slop hopper

DU H combined slop hopper and work surface with earthing terminal.

November 2017	
Uniclass PR_40_20	CAWS N13
C/S/F/B	(74)

### ARMITAGE SHANKS

Disposal unit assembly

Screw to wall

Handed left or right

Stainless Steel

#### Illustrated

**S6565** Stirling right hand slop hopper with work surface, top inlet

**S4590** Cistern conversion kit - to 9 litre flush Slop Hopper

**S4662** Plastic flushpipe for top inlet Slop Hopper

**S3955** Clena cistern 6 litre single flush syphon, high level, side supply and internal overflow, chain with rubber pull (fittings are reversible)

**S3584** P trap outlet, plastic for slop hoppers

**S8270** Markwik 1/2" bib taps

**B1686** Bib tap wall mounts 1/2" for concealed plumbing (pair)

**B1684** Bib tap extensions 1/2" x 100mm long (pair)

#### Material

Stainless Steel 1.4301 (304) x 1.2mm thick

#### Weight

Slop Hopper 11.3kg

6 Litre Single Flush Cistern 15.1kg

#### Finishes

Available in Stainless Steel (MY)

#### Standards

Stainless Steel sheet, conforms to BS EN 10088: Part 2: 2005 other items to relevant standards

#### Options

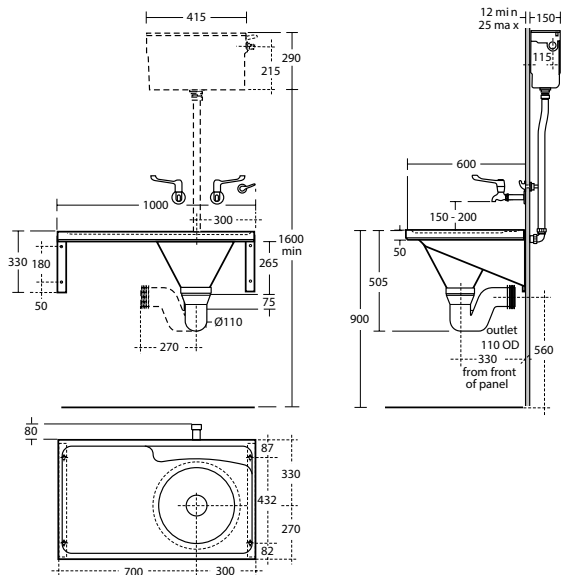
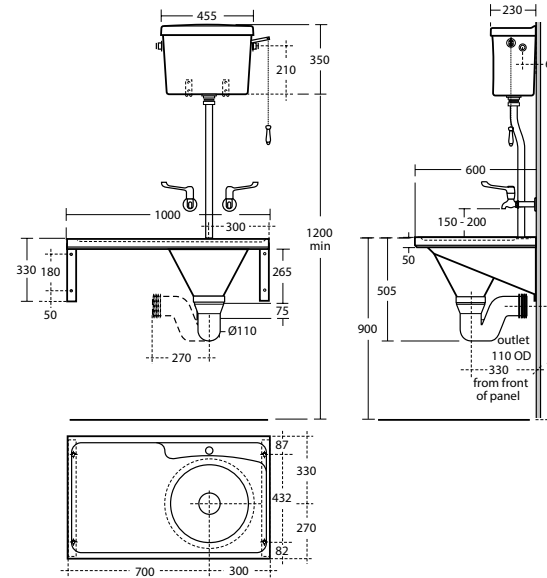
**S6566** Stirling left hand slop hopper with work surface, top inlet

**S3585** S trap outlet, plastic for slop hoppers

**S9281** Leg 900mm stainless steel to floor (2 required)

#### Special notes

For the disposal of liquid and solid waste in connection with clinical procedures. HTM64 does not cover for the provision of leg supports to floor. Note 2.94 states that "Exposed services are visually unattractive, can be unhygienic and are difficult to clean and decorate. Indeed the additional cost of the latter over a number of years may well exceed any savings in initial capital costs"



# HTM64

## (DU) Leven back inlet slop hopper

DU-G stainless steel hopper, with earthing terminal.



November 2017	
Uniclass PR_40_20	CAWS N13
C/S/F/B	(74)

### ARMITAGE SHANKS

Domestic services disposal

Stainless Steel

Screw to wall

Concealed services

#### Illustrated

**S6567** Leven slop hopper stainless steel, back inlet

**S4663** Flushpipe 850 x 35mm diameter for slop hopper

**S3626** Conceala 2 cistern 6 litre single flush syphon high level side supply and internal overflow, lever with chain

**S3584** P trap outlet, plastic for slop hoppers

**S8270** Markwik 1/2" bib taps

**B1686** Bib tap wall mounts 1/2" for concealed plumbing (pair)

**B1684** Bib tap extensions 1/2" x 100mm long (pair)

#### Material

Stainless Steel 1.4301 (304) x 1.2mm thick

#### Weight

Slop Hopper 11.1kg

6 Litre Single Flush Cistern 2.7kg

#### Finishes

Available in Stainless Steel (MY)

#### Standards

Stainless Steel sheet, conforms to BS EN 10088: Part 2: 2005

#### Options

**S3585** S trap outlet, plastic for slop hoppers

**S9281** Leg 900mm stainless steel to floor (2 required)

#### Special notes

Conforms to HTM64 (2006) Note HTM64 does not cover for the provision of leg supports to floor

# HTM64

## Leven (replacement) top inlet slop hopper

DU stainless steel hopper, with earthing terminal.

November 2017	
Uniclass PR_40_20	CAWS N13
C/S/F/B	(74)

### ARMITAGE SHANKS

Domestic services disposal

Screw to wall

Stainless Steel

#### Illustrated

**S6568** Leven slop hopper stainless steel, top inlet

**S3955** Clena cistern 6 litre single flush syphon, high level, side supply and internal overflow, chain with rubber pull (fittings are reversible)

**S4662** Plastic flushpipe for top inlet slop hopper

**S4590** Cistern conversion kit - to 9 litre flush

**S3584** P trap outlet, plastic for slop hoppers

**S8270** Markwik 1/2" bib taps

**B1686** Bib tap wall mounts 1/2" for concealed plumbing (pair)

**B1684** Bib tap extensions 1/2" x 100mm long (pair)

#### Material

Stainless Steel 1.4301 (304) x 1.2mm thick

#### Weight

Slop Hopper 11.1kg

6 Litre Single Flush Cistern 15.1kg

#### Finishes

Available in Stainless Steel (MY)

#### Standards

Stainless Steel sheet, conforms to BS EN 10088: Part 2: 2005

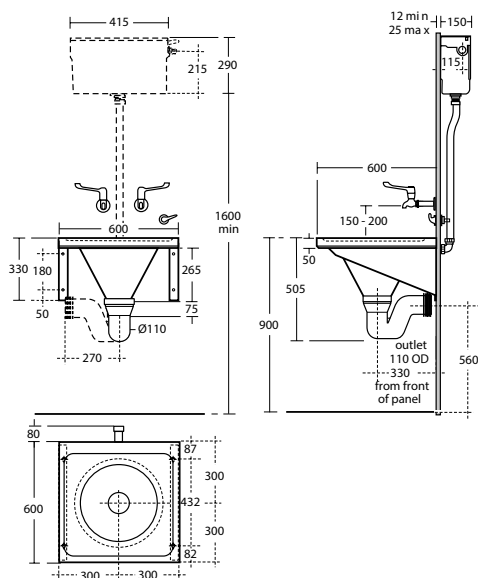
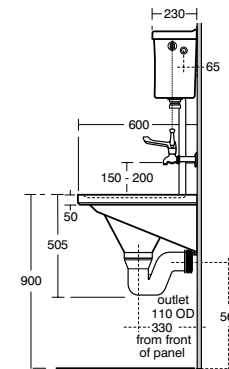
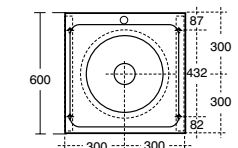
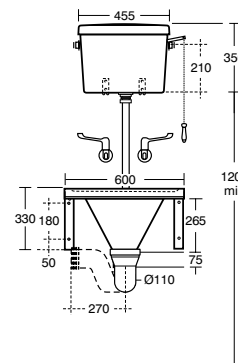
#### Options

**S3585** S trap outlet, plastic for slop hoppers

**S9281** Leg 900mm stainless steel to floor (2 required)

#### Special notes

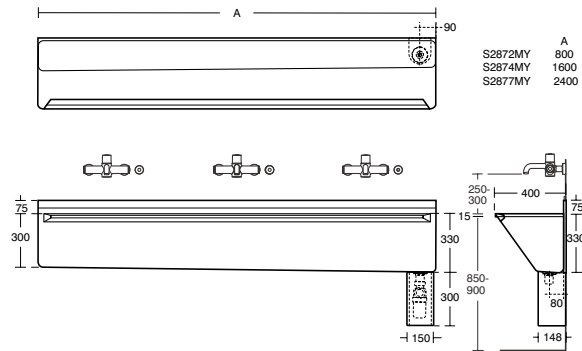
For the disposal of liquid and solid waste in connection with clinical procedures. HTM64 does not cover for the provision of leg supports to floor. Note 2.94 states that "Exposed services are visually unattractive, can be unhygienic and are difficult to clean and decorate. Indeed the additional cost of the latter over a number of years may well exceed any savings in initial capital costs"



# HTM64

## (SU H) Firth scrub-up trough

SU H scrub up trough in units of 80cm, 160cm and 240cm for 1, 2 or 3 persons. Complete with 1½" strainer waste, trap cover\* and earthing terminal.



November 2017	
Uniclass PR_40_20	CAWS N13
C/S/F/B	(74)

### ARMITAGE SHANKS

Scrub-up trough assembly

Screw to wall

Outlet handed left or right

Stainless Steel

\*80 - 160cm also available without trap cover

#### Illustrated

**S2877** Firth 240cm scrub-up trough, right hand outlet strainer waste, trap cover and hangers

**S8925** Trap 1½" plastic resealing bottle with 75mm seal, multi-purpose outlet

**A6684** Markwik 21+ panel mounted thermostatic basin mixer, timed flow sensor, demountable with removable spout

#### Material

Stainless Steel 1.4301 (304) x 1.2mm thick

#### Weight

240cm Scrub Up Trough 50kg

160cm Scrub Up Trough 40kg

80cm Scrub Up Trough 24kg

Bib Mixer 4.7kg

#### Finishes

Available in Stainless Steel (MY)

#### Standards

Stainless Steel sheet, conforms to BS EN 10088: Part 2: 2005

#### Options

**S2876** Firth 240cm scrub-up trough, left hand outlet strainer waste, trap cover and hangers

**S2874** Firth 160cm scrub-up trough, right hand outlet strainer waste, trap cover and hangers

**S2873** Firth 160cm scrub-up trough, left hand outlet strainer waste, trap cover and hangers

**S2872** Firth 80cm scrub-up trough, right hand outlet strainer waste, trap cover and hangers

**S2870** Firth 80cm scrub-up trough, left hand outlet strainer waste, trap cover and hangers

#### Not HTM64, without trap cover

**S2875** Firth 160cm scrub-up trough, right hand outlet strainer waste and hangers, non hospital versions without trap cover

**S2871** Firth 80cm scrub-up trough, left hand outlet strainer waste and hangers, non hospital versions without trap cover

#### Special notes

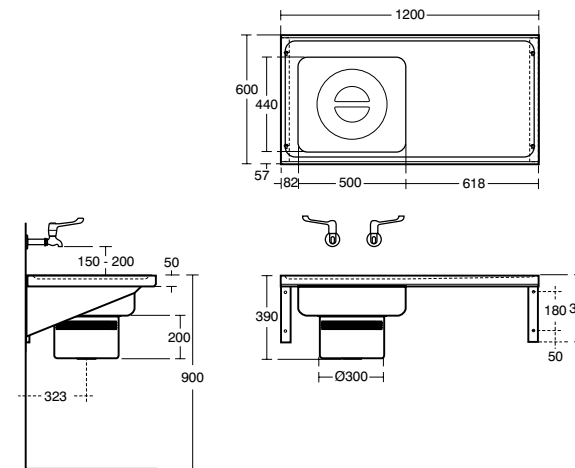
For use in connection with surgical washing of forearms and hands see further pages for TB H6 details A6684 Markwik timed flow thermostatic, sensor mixer



# HTM64

## (PS H) Clyde plaster sink

PS H plaster sink unit, with integral plain top and sump to accommodate strainer and help prevent plaster from blocking the drain, with earthing terminal.



November 2017	
Uniclass PR_40_20	CAWS N13
C/S/F/B	(74)

### ARMITAGE SHANKS

Plaster sink

Sink left or right hand

Stainless Steel

#### Illustrated

**S6558** Clyde plaster sink left hand sink with work surface stainless steel integral brackets, strainer basket and 1½" waste

**S8270** Markwik ½" bib taps

**B1686** Bib tap wall mounts ½" for concealed plumbing (pair)

**B1684** Bib tap extensions ½" x 100mm long (pair)

#### Material

Stainless Steel 1.4301 (304) x 1.2mm thick

#### Weight

Plaster RH Sink with work surface 21.1kg

#### Finishes

Available in Stainless Steel (MY)

#### Standards

Stainless steel sheet to BS EN 10088: Part 2: 2005

#### Options

**S6557** Clyde plaster sink, right hand sink with work surface

**S6559** Clyde plaster sink, right hand sink with work surface and 2 tapholes at 200mm centres

**S9281** Leg 900mm stainless steel to floor (2 required)

#### Special notes

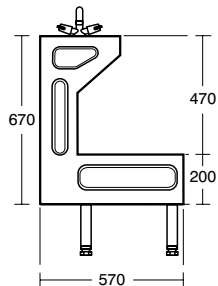
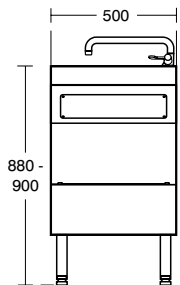
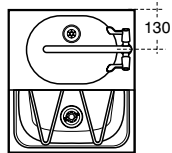
For the disposal of plaster waste



# HTM64

## (JU) Janitorial sink stainless steel unit

JU stainless steel Janitorial unit incorporating cleaners sink with bucket grating and handrinse basin, with earthing terminal. Mixer with restricted travel swivel nozzle, small lever handles to meet DDA requirements.



November 2017	
Uniclass PR_40_20	CAWS N13
C/SFB	(74)

### ARMITAGE SHANKS

Combination sink/washbasin

Complete with mixer tap

Restricted travel swivel spout

Stainless Steel

Supported on adjustable legs

#### Illustrated

**S6556** Janitorial unit stainless steel 50cm wide x 57cm projection x 90cm high complete with wastes, mixer tap with restricted swivel, tamper proof concealing panel for washbasin trap, hinged bucket grating to sink, stainless steel legs with adjustable feet and earthing tag

**S8920** (TRR1/P) Trap 1¼" plastic resealing bottle, 75mm seal, multi-purpose outlet

**S8925** (TRR2/P) Trap 1½" plastic resealing bottle with 75mm seal, multi-purpose outlet

#### Material

Stainless Steel 1.4301 (304) x 1.2mm thick

#### Weight

Janitorial 50x57cm 15.0kg

#### Finishes

Available in Stainless Steel (MY)

#### Standards

Functional Standard: DDA & BS8300 Stainless Steel conforms to BS EN 100088:part 2:2005

#### Options

**A5900** TMV Thermostatic mixing valve 15mm

#### Special notes

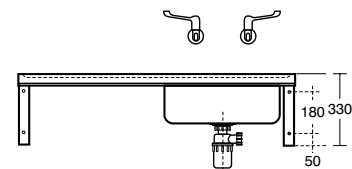
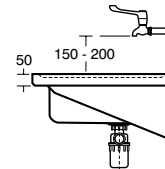
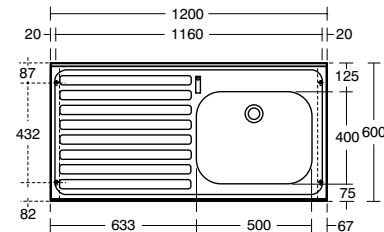
Monoblock mixer is provided with restricted swivel nozzle for use with either handrinse basin or cleaners sink below. Consideration should be given to safe hot water delivery and the use of an appropriate temperature reduction device see A5900 or Part G for guidance. For disposal of liquid waste by domestic staff. Small levers to meet DDA. Unit is supported on four stainless steel legs with adjustable feet. Holes are provided in back flange to secure to wall



# HTM64

## (ST A) Doon single bowl single drainer sink

ST A single bowl, single drainer stainless steel sink, with earthing terminal.



November 2017	
Uniclass PR_40_20	CAWS N13
C/SFB	(74)

### ARMITAGE SHANKS

Sink top assemblies

Stainless Steel

With or without tapholes

Screw to wall, front legs or

mounting on base unit versions

HTM63 (profile) options

#### Illustrated

**S5987** Doon sink, single bowl left hand drainer 120 x 60cm, no tapholes, no overflow

**S8270** Markwik ½" bib taps

**B1686** Bib tap wall mounts ½" for concealed plumbing (pair)

**B1682** Bib tap extensions ½" x 75mm long (pair)

**S8760** Waste 1½" unslotted strainer waste, 50mm long, 75mm diameter, brass

**S8925** Trap 1½" plastic resealing bottle with 75mm seal, multi-purpose outlet

#### Material

Stainless Steel 1.4301 (304) x 1.2mm thick

#### Weight

120x60cm Sink 11.4kg

#### Finishes

Stainless Steel 1.4301 (304) x 1.2mm thick

#### Standards

Stainless steel sheet to BS EN 10088: Part 2: 2005. Conforms to Metal sinks BS EN 13310

#### Options

**S5985** Doon sink, single bowl right hand drainer 120 x 60cm, no tapholes, no overflow

**S5986** Doon sink, single bowl left hand drainer 120 x 60cm, 2 tapholes at 200mm centres, no overflow

**S5926** (ST A) Doon sink, single bowl right hand drainer 120 x 60cm, 2 tapholes at 200mm centres, no overflow

**S9281** Leg 900mm stainless steel to floor (2 required)

#### HTM63 (Bullnose profile for base fixing unit) 65cm deep

**S5988** (ST A) Doon sink, single bowl right hand drainer 120 x 65cm, 2 tapholes at 200mm centres, no overflow

**S5990** (ST A) Doon sink, single bowl left hand drainer 120 x 65cm, 2 tapholes at 200mm centres, no overflow

**S5989** Doon sink, single bowl right hand drainer 120 x 65cm, no tapholes, no overflow

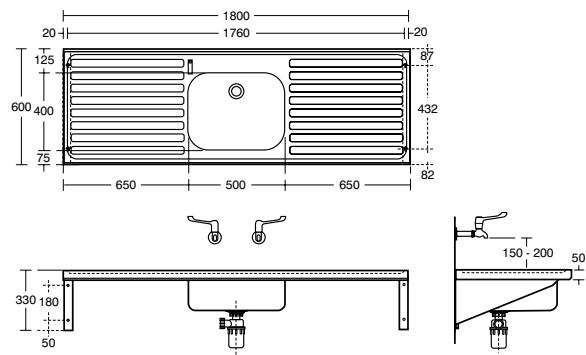
**S5991** Doon sink, single bowl left hand drainer 120 x 65cm, no tapholes, no overflow



# HTM64

## (ST B) Doon single bowl double drainer sink

ST B single bowl double drainer stainless steel sink in 2 depths, with earthing terminal.



November 2017	
Uniclass PR_40_20	CAWS N13
C/S/F/B	(74)

### ARMITAGE SHANKS

Domestic services sink assemblies

Stainless Steel

With or without tapholes

65cm or 60cm deep option

#### Illustrated

- S5993** (ST B) Doon sink, single bowl double drainer 180 x 60cm, no tapholes, no overflow
- S8270** (TB H1) Markwik 1/2" bib taps
- B1686** Bib tap wall mounts 1/2" for concealed plumbing (pair)
- B1682** Bib tap extensions 1/2" x 75mm long (pair)
- S8760** Waste 1 1/2" unslotted strainer waste, 50mm long, 75mm diameter brass
- S8925** (TRR2/P) Trap 1 1/2" plastic resealing bottle with 75mm seal, multi-purpose outlet

#### Material

Stainless Steel 1.4301 (304) x 1.2mm thick

#### Weight

Doon sink 15.8kg

#### Finishes

Available in Stainless Steel (MY)

#### Standards

Stainless steel sheet to BS EN 10088: Part 2: 2005. Conforms to Metal sinks BS EN 13310

#### Options

- S5992** (ST B) Doon sink, double drainer 180 x 60cm, 2 tapholes at 200mm centres, no overflow
- S9281** Leg 900mm stainless steel to floor (2 required)

#### 65cm Deep

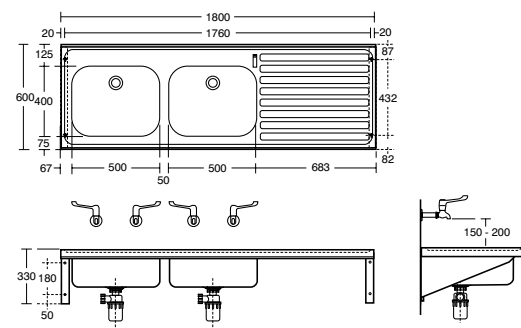
- S5994** (ST B) Doon sink, double drainer 180 x 65cm with 2 tapholes at 200mm centres, no overflow HMT63 profile



# HTM64

## (ST C) Doon double bowl single drainer sink

STC C single bowl, single drainer stainless steel sink in unit 2 depths, with earthing terminal.



November 2017	
Uniclass PR_40_20	CAWS N13
C/S/F/B	(74)

### ARMITAGE SHANKS

Domestic services sink assemblies

Stainless Steel

65cm & 60cm deep

With or without tapholes

#### Illustrated

- S5997** Doon sink, double bowl left hand drainer 180 x 60cm, no tapholes no overflow
- S8270** Markwik 1/2" bib taps
- B1686** Bib tap wall mounts 1/2" for concealed plumbing (pair)
- B1682** Bib tap extensions 1/2" x 75mm long (pair)
- S8760** Waste 1 1/2" unslotted strainer waste, 50mm long, 75mm diameter brass
- S8925** Trap 1 1/2" plastic resealing bottle with 75mm seal, multi-purpose outlet

#### Material

Stainless Steel 1.4301 (304) x 1.2mm thick

#### Weight

180x65cm Sink 17.3kg

#### Finishes

Available in Stainless Steel (MY)

#### Standards

Stainless steel sheet to BS EN 10088: Part 2: 2005. Conforms to Metal sinks BS EN 13310

#### Options

- S9281** Leg 900mm stainless steel to floor (2 required)

- S5995** Doon sink, double bowl right hand drainer 180 x 60cm, no tapholes, no overflow
- S5996** Doon sink, double bowl left hand drainer 180 x 60cm, 2 tapholes at 200mm centres for each bowl, no overflow

#### 65cm Deep

- S5998** Doon sink, double bowl left hand drainer 180 x 65cm, 2 tapholes at 200mm centres for each bowl, no overflow

#### Special notes

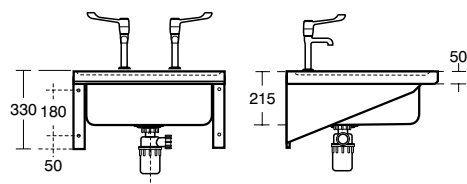
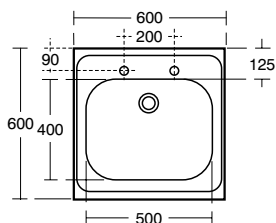
Two bowls therefore two sets of fittings taps, wastes and traps required



# HTM64

## (SK 1) Doon single sink

SK 1 single bowl stainless steel sink in unit 2 depths, with earthing terminal.



November 2017	
Uniclass PR_40_20	CAWS N13
C/SFB	(74)

ARMITAGE SHANKS

Domestic services  
sink assemblies

Stainless Steel

65cm & 60cm deep

With or without tapholes

**Illustrated**

- 55999** Doon sink, single bowl 60 x 60cm, 2 tapholes
- 58265** Markwik 1/2" high neck pillar taps
- 58768** (WT4) Waste 1 1/2" unslotted chain waste, plug and screw stay, 90mm tail
- 58925** Trap 1 1/2" plastic resealing bottle with 75mm seal, multi-purpose outlet

**Material**

Stainless Steel 1.4301 (304) x 1.2mm thick

**Weight**

60cm Sink 7.2kg

**Finishes**

Available in Stainless Steel (MY)

**Standards**

Stainless steel sheet to BS EN 10088. Metal sinks for domestic services BS EN 13310

**Options**

- 56000** Doon sink, single bowl 60 x 60cm, no tapholes, no overflow
- 59281** Leg 900mm stainless steel to floor (2 required)

**65cm Deep**

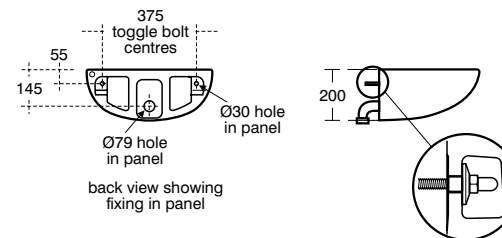
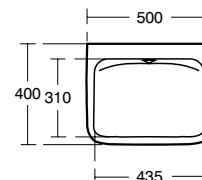
- 56001** Doon sink, single bowl 60 x 65cm, 2 tapholes



# HTM64

## (LB H M/L) Contour 21+ washbasin sequential lever mixer

LB H M/L hospital pattern basin, integral back outlet, for connection to concealed services with concealed fixings, no tapholes, no overflow, no chain hole, no plug, anti-splash and anti-microbial glaze.



November 2017	
Uniclass PR_40_20	CAWS N13
C/SFB	(74)

ARMITAGE SHANKS

Hospital pattern

Washing in running water

For duct panels

50cm Medium or 60cm Large

Fully concealed services

**Illustrated**

- S0430** Contour 21+ 50cm back outlet washbasin, no tapholes, no overflow with anti-splash and anti-microbial glaze
- A6682** Markwik 21+ panel mounted thermostatic basin mixer, single sequential lever, demountable with removable spout
- S0388** Contour 21+ basin fixation set
- S0386** Contour 21+ waste pack with SmartGuard for wall mounted basin

**Material**

Vitreous China

**Weight**

50cm Washbasin 13.5kg  
60cm Washbasin 20.0kg  
Basin Mixer 3.6kg

**Finishes**

White with SmartGuard (HY)

**Standards**

Vitreous china to BS 3402.  
Washbasin to BS EN 14688 and BS EN 31

**Options**

- S0444** Contour 21+ 60cm back outlet washbasin, no tapholes, no overflow with anti-splash and anti-microbial glaze

**Special notes**

Suggested rim heights; 780-800 for ambulant users 680-700 for wheelchair users.  
Washbasin panel mounted using the S0388 Contour 21+ fixation set.





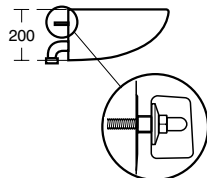
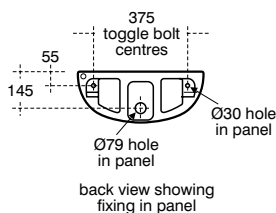
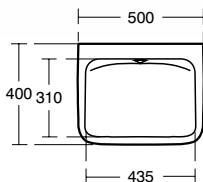
# HTM64

## (LB H M/L) Contour 21+ washbasin sensor mixer

LB H M/L hospital pattern basin, integral back outlet, for connection to concealed services with concealed fixings, no tapholes, no overflow, no chain hole, no plug, anti-splash and anti-microbial glaze.



SmartGuard+



November 2017	
Uniclass PR_40_20	CAWS N13
C/S/F/B	(74)

### ARMITAGE SHANKS

- Hospital pattern
- Washing in running water
- For duct panels
- 60cm Medium or 50cm Large
- Fully concealed services
- Timed flow sensor

#### Illustrated

- S0430** Contour 21+ 50cm back outlet washbasin, no tapholes, no overflow with anti-splash and anti-microbial glaze
- A6684** Markwik 21+ panel mounted thermostatic basin mixer, timed flow sensor, demountable with removable spout
- S0388** Contour 21+ basin fixation set
- S0386** Contour 21+ waste pack with SmartGuard for wall mounted basin

#### Material

Vitreous China

#### Weight

- 50cm Washbasin 13.5kg
- 60cm Washbasin 20.0kg
- Basin Mixer 3.6kg

#### Finishes

White with SmartGuard (HY)

#### Standards

Vitreous china to BS 3402.  
Washbasin to BS EN 14688 and BS EN 31

#### Options

- S0444** Contour 21+ 60cm back outlet washbasin, no tapholes, no overflow with anti-splash and anti-microbial glaze

#### Special notes

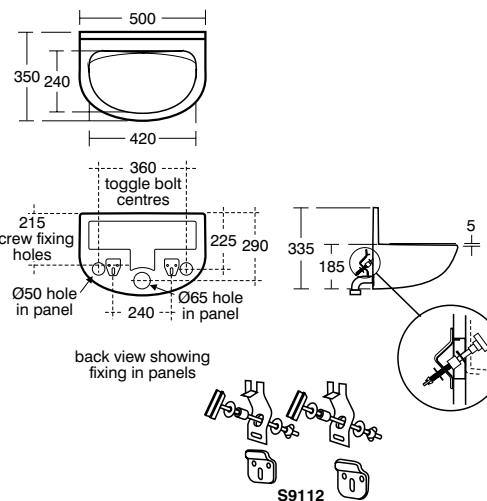
Suggested rim heights; 780-800 for ambulant users 680-700 for wheelchair users. Washbasin panel mounted using the S0388 Contour 21+ fixation set.



# HTM64

## (LB H M) Contour 21 upstand washbasin

LB H M hospital pattern basin, with 150mm upstand and integral back outlet, for connection to concealed services with concealed fixings, no tapholes, no overflow, no chain hole, no plug.



November 2017	
Uniclass PR_40_20	CAWS N13
C/S/F/B	(74)

### ARMITAGE SHANKS

- Medium Hospital pattern basin
- Fully concealed services
- 35cm reduced projection
- Washing under running water
- Hygienic Integral splashback

#### Illustrated

- S2144** Contour 21 back outlet washbasin, 50cm with 150mm upstand no tapholes, no overflow, no chainstay hole
- A6682** Markwik 21+ panel mounted thermostatic basin mixer, single sequential lever, demountable with removable spout, also needs replacement spout A6252
- A6252** Spout 100mm for Markwik 21 mixer, demountable with Bioguard outlet
- S8750** Waste 1¼" outlet adaptor for Contour back outlet washbasins
- S8920** Trap 1¼" plastic resealing bottle, 75mm seal
- S9112** Concealed hangers pressed Steel, toggle bolts and clips for Contour washbasins

#### Material

Fine fireclay

#### Weight

50cm Washbasin 14.0kg

#### Finishes

Available in White (01)

#### Options

- S8746** Plastic strainer

#### Special notes

Toggle bolts and outlet adaptor suitable for maximum panel thickness of 18mm. For use in connection with washing associated with clinical procedures. Suggested rim height 780-800mm. Washbasin panel mounted using S9112 hangers, toggle bolts & clips. Suitable TB H6 wall mounted taps will need to be positioned sufficiently above the upstand to a maximum of 200mm from base of outlet to lip of washbasin



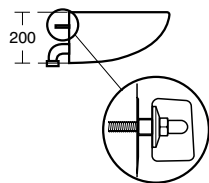
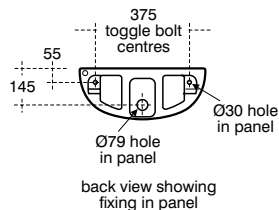
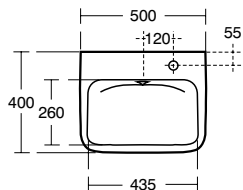
# HTM64

## (LB G M) Contour 21+ washbasin

LB G M general basin (Medium). Contour 21+ washbasins are specially designed for use with ducted services and have the advantage of a new back outlet compact waste system with an anti-microbial treatment. The basins incorporate a hydrophilic glaze with anti-microbial qualities and a new easy fixation system.



SmartGuard\*



November 2017	
Uniclass PR_40_20	CAWS N13
C/S/F/B	(74)

### ARMITAGE SHANKS

General pattern washbasin

50cm Medium

Designed for ducted panel services

Concealed back outlet

Hydrophilic glaze with anti-microbial properties

New easy fixation

Left and right hand taphole options

#### Illustrated

- S0432** Contour 21+ 50cm back outlet washbasin, one right hand taphole, no overflow with anti-microbial glaze
- A6696** Markwik 21+ 1 hole thermostatic basin mixer, single sequential lever, demountable with copper tails
- A6791** Markwik 21+ basin mixer fixing kit for use with Contour 21+ closed basin
- S0388** Contour 21+ basin fixation set
- S0387** Contour 21+ waste pack with SmartGuard for tap deck basin

#### Material

Vitreous China

#### Weight

50cm Washbasin 17.0kg  
Basin Mixer 2.5kg

#### Finishes

White with SmartGuard (HY)

#### Standards

Vitreous china to BS 3402.  
Washbasin to BS EN 14688 and BS EN 31

#### Options

**S0431** Contour 21+ 50cm back outlet washbasin, one left hand taphole, no overflow with anti-microbial glaze

#### Special notes

Suggested rim heights; 780-800 for ambulant users, 680-700 for wheelchair users. Washbasin panel mounted using the S0388 fixation set.



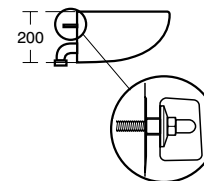
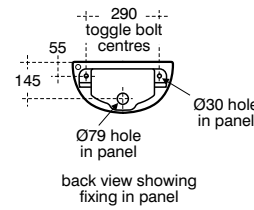
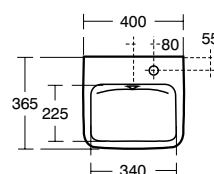
# HTM64

## (LB G S) Contour 21+ washbasin

LB G S general basin (Small). Contour 21+ washbasins are specially designed for use with ducted services and have the advantage of a new back outlet compact waste system with an anti-microbial treatment. The basins incorporate a hydrophilic glaze with anti-microbial qualities and a new easy fixation system.



SmartGuard\*



November 2017	
Uniclass PR_40_20	CAWS N13
C/S/F/B	(74)

### ARMITAGE SHANKS

General pattern washbasin

40cm Small

Designed for ducted panel services

Concealed back outlet

Hydrophilic glaze with anti-microbial properties

New easy fixation

Left and right hand taphole options

Space saving

#### Illustrated

- S0435** Contour 21+ 40cm back outlet washbasin, one right hand taphole, no overflow with anti-microbial glaze
- A6696** Markwik 21+ 1 hole thermostatic basin mixer, single sequential lever, demountable with copper tails
- A6791** Markwik 21+ basin mixer fixing kit for use with Contour 21+ closed basin
- S0388** Contour 21+ basin fixation set
- S0387** Contour 21+ waste pack with SmartGuard for tap deck basin

#### Material

Vitreous China

#### Weight

40cm Washbasin 12.5kg  
Basin Mixer 2.5kg

#### Finishes

White with SmartGuard (HY)

#### Standards

Vitreous china to BS 3402.  
Washbasin to BS EN 14688 and BS EN 31

#### Options

**S0433** Contour 21+ 40cm back outlet washbasin, one left hand taphole, no overflow with anti-microbial glaze  
**S0679** Contour 21+ 40cm back outlet washbasin, no tapholes, no overflow, with anti-microbial glaze.

#### Special notes

Suggested rim heights; 780-800 for ambulant users, 680-700 for wheelchair users. Washbasin panel mounted using the S0388 Contour 21+ wall fixation set.





# HTM64

## (LB G M/L) Portman 21 washbasin

LB G M/L general basin (Medium or Large) with plug and chain screw stay.

Uniclass PR_40_20	CAWS N13
C/S/FB	(74)

### ARMITAGE SHANKS

- General pattern washbasin
- 50cm Medium or 60cm Large
- Washing in reservoir of water
- Two taphole option
- Optional wall or panel fixing set

#### Illustrated

- S2254** Portman 21 washbasin 50cm, 1 right hand taphole, no overflow, no chainstay hole
- A6696** Markwik 21+ 1 hole thermostatic basin mixer, single sequential lever, demountable with copper tails
- S8715** Waste 1¼" waste with bead chain & plug 80mm unslotted tail, screw stay
- S8920** Trap 1¼" plastic resealing bottle, 75mm seal
- E0062** Basin fixing set for panels or block walls

#### Material

Vitreous China

#### Weight

60cm Washbasin 16.7kg  
50cm Washbasin 12.6kg

#### Finishes

Available in White (01)

#### Standards

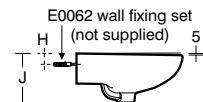
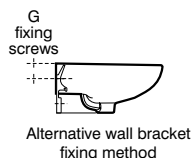
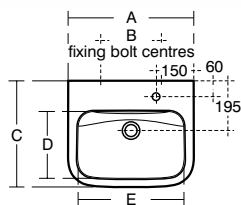
Vitreous china to BS 3402

#### Options

- S2308** Portman 21 washbasin 50cm, 1 left hand taphole no overflow, no chainstay hole
- S2253** Portman 21 washbasin 50cm, 2 tapholes, no overflow or chainstay hole
- S2298** Portman 21 washbasin, 60cm, single right hand taphole, no overflow, no chainstay
- E0157** Wall fixing set

#### Special notes

For use in connection with personal washing (face, forearms and hands etc.) not for use in clinical areas. Suggested rim height 780-800mm. Washbasin wall mounted using E0157 wall fixing set or panel mounted using E0062 fixing set



	A	B	C	D	E	F	G	H	J
50cm	500	240	420	265	420	150	125	45	195
60cm	600	280	480	315	505	200	145	60	200

# HTM64

## (LB G S) Portman 21 washbasin

LB G S general basin (Small) for hand rinse under running water no plug and chain.

Uniclass PR_40_20	CAWS N13
C/S/FB	(74)

### ARMITAGE SHANKS

- General pattern washbasin
- 40cm Small
- Hand rinsing under running water
- Optional wall or panel fixing set

#### Illustrated

- S2314** Portman 21 general purpose small washbasin, 40 x 37cm, single right hand taphole, no overflow, no chainstay hole
- E0062** Wall fixing set
- A6696** Markwik 21+ 1 hole thermostatic basin mixer, single sequential lever, demountable with copper tails
- S8720** Waste 1¼" brass strainer waste, 80mm unslotted tail
- S8920** Trap 1¼" plastic resealing bottle, 75mm seal
- E0062** Basin fixing set for panels or block walls

#### Material

Vitreous China

#### Weight

40cm Washbasin 9.6kg

#### Finishes

Available in White (01)

#### Standards

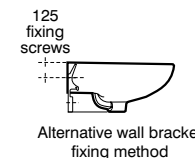
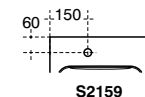
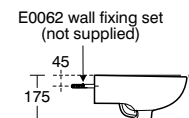
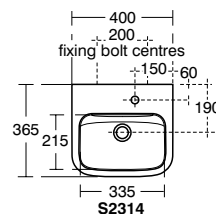
Vitreous china to BS 3402.

#### Options

- S2159** Portman 21 washbasin 40cm, 1 left hand taphole no overflow, no chainstay hole
- B8861** (TPP1) Avon 21 washbasin mixer 1 hole, self closing push button, variable temperature with copper tube inlets.

#### Special notes

For hand rinse under running water, no plug and chain, not for use in clinical areas. Washbasin wall mounted using E0157 wall fixing set or panel mounted using E0062 fixing set. Recommended fixing heights; Corner WC arrangement 720-740 Wheelchair access 680-700mm



# HTM64

## (UR H) Contour urinal

Contour Vitreous china bowl urinal, panel mounted single, double or triple urinal ranges, UR H 1, 2 or 3 - for concealed high level cistern, pipework and trap.



November 2017	
Uniclass PR_40_20	CAWS N13
C/S/F/B	(74)

ARMITAGE SHANKS

Hospital pattern urinal  
Concealed trap

### Illustrated

- S6110** Contour urinal in vitreous china, 67cm, concealed
- S8850** Waste 1½" plastic domed strainer waste, 45mm unslotted tail
- S8970** Trap 1½" plastic P with 75mm seal, multi-purpose outlet suitable for plastic and BS copper pipe
- S9275** Urinal concealed hangers, Steel
- S6286** Spreader, back inlet for vitreous china urinal
- S9276** Toggle bolts to suit maximum 25mm panel thickness

### Material

Vitreous China

### Weight

67cm Urinal 15.9kg

### Finishes

Available in White (01)

### Standards

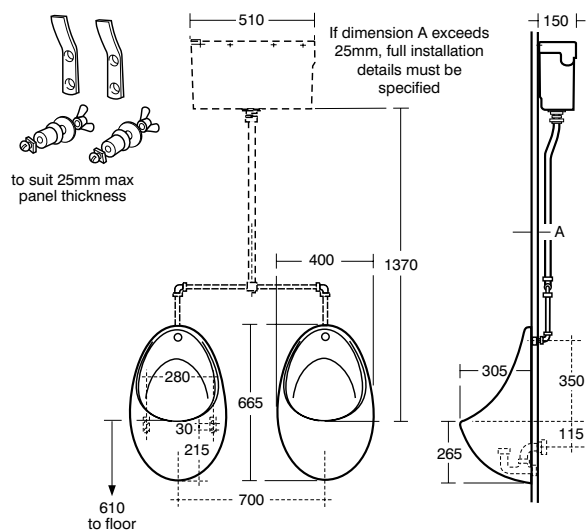
Vitreous china to BS 3402

### Options

**S6120** (UR H) Urinal division Vitreous China with hanger and screw

### Special notes

See auto cistern and flush pipe selector page for selection of multi bowl and pipework ranges. For sensor flush see Sensorflow 21 urinal flushing device page



Urinals for junior use should be set at 510mm from floor to lip of bowl



# HTM64

## (UR H) Contour HygenIQ bowl

Contour HygenIQ panel mounted single, double or triple urinal ranges, UR H 1, 2 or 3 - for concealed high level cistern, pipework and trap.



November 2017	
Uniclass PR_40_20	CAWS N13
C/S/F/B	(74)

ARMITAGE SHANKS

Hospital pattern urinal  
Concealed trap  
Splash reducing designs

### Illustrated

- S6119** Contour HygenIQ urinal 67cm, concealed
- S8849** HygenIQ plastic splash reducing waste, 50mm unslotted tail
- S8970** Trap 1½" plastic P with 75mm seal, multi-purpose outlet suitable for plastic and BS copper pipe
- S9275** Urinal concealed hangers, Steel
- S6286** Spreader, back inlet for vitreous china urinal
- S9276** Toggle bolts to suit maximum 25mm panel thickness

### Material

Vitreous China

### Weight

67cm Concealed 18.4kg

### Finishes

Available in White (01)

### Standards

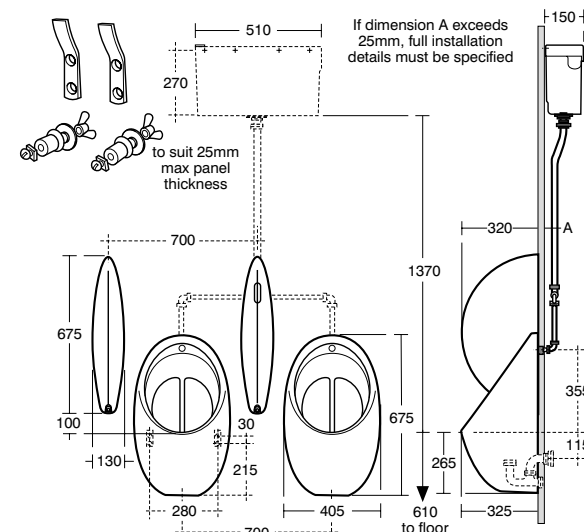
Vitreous china to BS 3402

### Options

**S6120** (UR H) Urinal division Vitreous China with hanger and screw

### Special notes

See auto cistern and flush pipe selector page for selection of multi bowl and pipework ranges. For sensor flush see Sensorflow 21 urinal flushing device page.



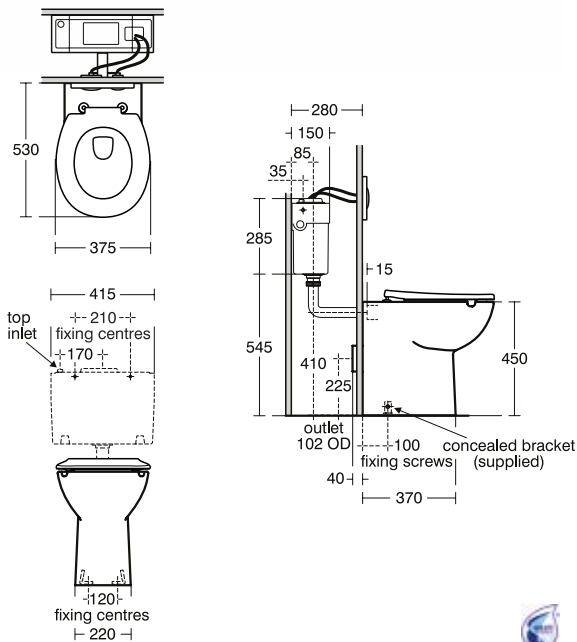
Urinals for junior use should be set at 510mm from floor to lip of bowl



# HTM64

## (WC H) Contour 21+ back to wall WC

Contour 21+ WC pans include new, improved rimless technology and a hydrophilic, smooth glaze with anti-microbial properties along with a cleaner, updated design.



November 2017	
Uniclass PR_40_20	CAWS N13
C/S/F/B	(74)

### ARMITAGE SHANKS

- Hospital pattern rimless WC
- Concealed top fixing seats
- No touch sensor flush option
- Reversible flushing lever
- 4.5/3 litre dual flush option

#### Illustrated

- S0440** Contour 21+ raised height back to wall rimless WC pan with raised horizontal outlet and anti-microbial glaze
- S3617** Conceala 2 cistern for 4.5 litre single flush syphon side supply and internal overflow plastic flushbend, long CP lever
- S4066** Contour 21 seat no cover, top fixing hinges and retaining buffers

#### Material

Vitreous China

#### Weight

WC pan 22.6kg, Cistern 2.7kg

#### Finishes

Available in White with SmartGuard (HY)  
Seats available in White (01) Blue (36) Grey (LJ) Charcoal (RN)

#### Standards

Vitreous china to BS 3402. WC pan to BS EN 997 and BS EN 33

#### Options

- S3640** Conceala 2 cistern 4.5 litre single flush valve side supply and internal overflow, alternative height plastic flushbends
- S3643** Conceala 2 cistern 4.5/3 or 4/2.6 litre dual flush valve side supply and internal overflow, alternative height plastic flushbends
- S4065** Contour 21 seat and cover, top fixing hinges
- S4513** Palm push button pneumatic, stainless steel for 31mm maximum thickness partition
- S4305** Panekta outlet connector, finned pattern to convert horizontal outlet WCs to P trap
- S4300** Panekta outlet connector, finned pattern to convert horizontal outlet WCs to S or turned P trap
- E4463** Karisma flush plate dual flush, chrome, unbranded

#### Special notes

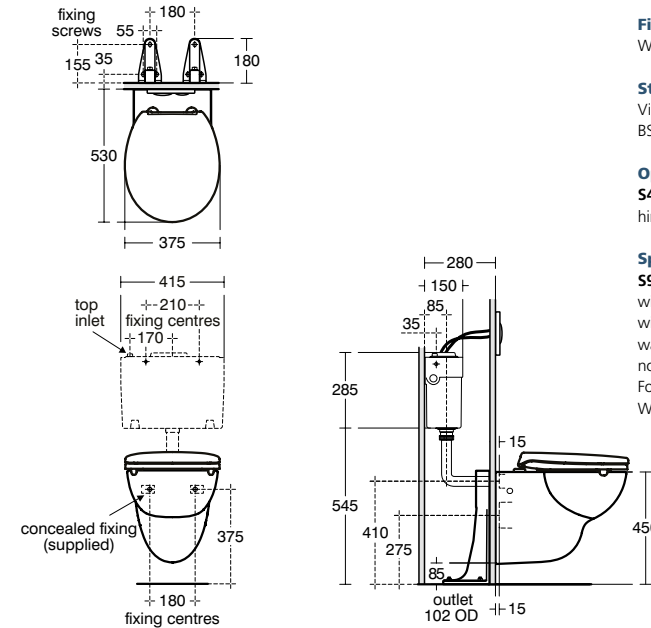
WC pan screwed to floor using concealed brackets (supplied). Joint to wall sealed with waterproof sealant (not supplied). When using a lever the concealed cistern should be raised to 565mm from floor to the underside of the cistern.



# HTM64

## (WC H) Contour 21 wall mounted WC

Contour 21+ WC Pans include new, improved rimless technology and a hydrophilic, smooth glaze with anti-microbial properties. Plastic ring seat, no cover for fully enclosed seat holes on easy clean metal hinges, no raised height seat, no cover, no exposed fixings.



November 2017	
Uniclass PR_40_20	CAWS N13
C/S/F/B	(74)

### ARMITAGE SHANKS

- Hospital pattern rimless WC
- Concealed top fixing seats
- No touch sensor flush option
- Reversible flushing lever
- 4.5/3 litre dual flush option

#### Illustrated

- S0443** Contour 21+ wall mounted rimless WC pan with horizontal outlet and anti-microbial glaze
- S3617** Conceala 2 cistern 4.5 or 6 litre single flush syphon side supply and internal overflow plastic flushbend, long CP lever
- S0670** Contour 21+ slim slow close seat and cover with top fix hinges
- S9139** Support bracket for wall mounted WC raised height with bolts

#### Material

Vitreous China

#### Weight

Wall Mounted WC Pan 20.9kg  
WC Support Bracket 4.2kg  
4.5 or 6 Litre Single Flush Cistern 2.7kg

#### Finishes

WC Pan available in White (01)

#### Standards

Vitreous china to BS 3402, BS EN 997 & BS EN 33

#### Options

- S4066** Contour 21 seat no cover, top fixing hinges and retaining buffers

#### Special notes

**S9139** support brackets secured to floor within the duct, WC fixed to support brackets with bolts supplied. Joint sealed with waterproof sealant (not supplied). Currently not suitable for in-wall support systems. For other cistern and flushing options refer to WC cistern matrix page





# HTM64

## (BA GM) Nisa steel bath

BA GM metal flat topped bath, no tapholes, no handgrips.

November 2017	
Uniclass PR_40_20	CAWS N13
CI/SFB	(74)

### ARMITAGE SHANKS

Steel bath  
General bathing

#### Illustrated

- S1699** Nisa Lowline 170 x 70cm steel bath, anti slip, no tap holes, no hand grips
- A4135** Contour 21 bath filler thermostatic wall mounted single lever sequential
- S8830** Waste 1½" bath chain and overflow, plastic plug
- S8970** Trap 1½" plastic P with 75mm seal, multi-purpose outlet suitable for plastic and BS copper pipe

**Material**  
Steel

**Weight**  
170cm Bath 48.4kg  
Bath End Panel 3.5kg  
Bath Filler 3.0kg

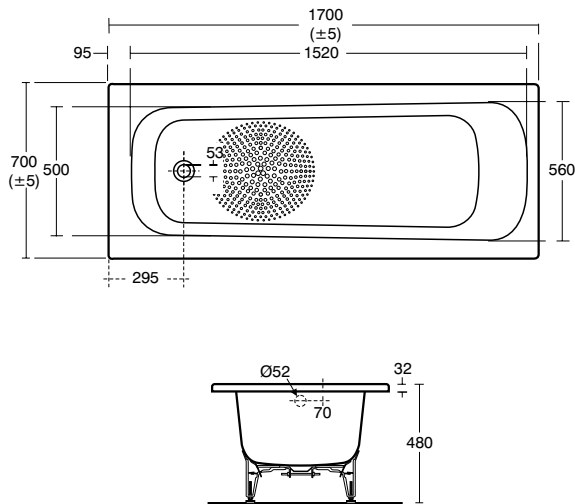
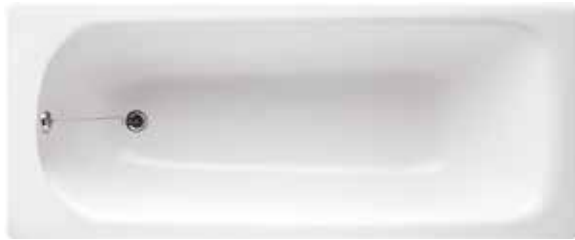
**Capacity**  
32 gallons/147 litres

**Finishes**  
Available in White (01)

**Standards**  
BS 1390: 1990

#### Special notes

Not suitable in areas involving the use of special chemicals. NB. Panels and framework by installer, framework set on floor (panels secured by concealed fixing). Anti slip is a resistant finish that reduces the chances of slipping, it does not prevent all slipping



# HTM64

## (TM1) extended lever thermostatic shower in box

TM 1 extended lever operated thermostatic valve pre-plumbed into stainless steel box complete with cover plate.

November 2017	
Uniclass PR_40_20	CAWS N13
CI/SFB	(74)

### ARMITAGE SHANKS

Automatic shut off  
Multiple fixing points  
Accessible mounting box  
Easy install  
Adjustable safety stop

#### Illustrated

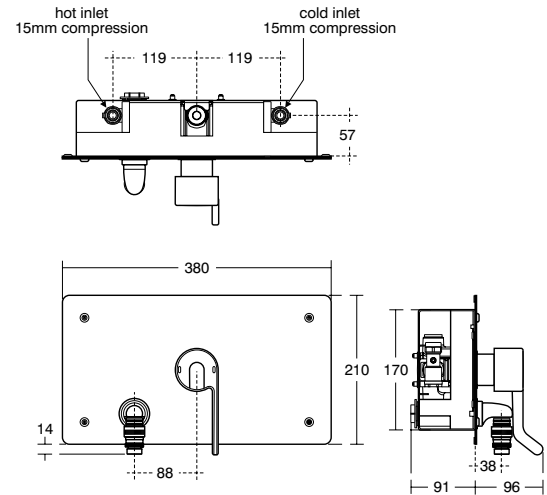
**A4314** Contour 21 lever operated concentric thermostatic shower mixing valve with mounting box, combined isolating and non-return valves with filters, including hose union and quick release coupling

**Material**  
Stainless Steel

**Weight**  
6.2kg

**Finishes**  
Available in Stainless Steel (MY)

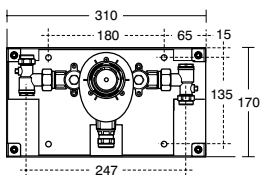
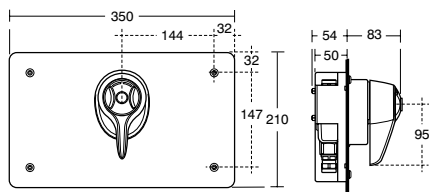
**Standards**  
Uses A4129AA TMV3 approved valve.  
A4129AA WRAS approved valve



# HTM64

## (TM1) thermostatic shower in a box

TM 1 lever operated thermostatic valve pre-plumbed into stainless steel box complete with cover plate. Supplied complete with isolating valves and filters, the valve is suitable for "first fix" before walls are finished.



November 2017	
Uniclass PR_40_20	CAWS N13
C/S/F/B	(74)

### ARMITAGE SHANKS

- Automatic shut off
- Adjustable safety stop
- Easy install
- Accessible mounting box
- Multiple fixing points

#### Illustrated

**S6933** CTV concentric thermostatic mixing valve with extended lever, mounting box with stainless steel cover plate.

#### Material

Chrome Plate Metal / Stainless Steel

#### Weight

Thermostatic Shower Valve 5.2kg

#### Finishes

Stainless Steel (MY)

#### Standards

TMV3 Thermostatic Mixing Valve Scheme approved. Meets the requirements of NHS Model Engineering Specification - D08 for Type 3 valves. Uses A3085AA TMV3 approved valve

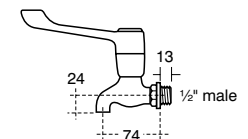
#### Special notes

Operating pressures from 0.1 to 5.0 bar. Suitable for use with Armaglide 2 shower kits or shower heads. Can be used with gravity or high pressure shower kits. Suitable for rising or falling supplies. Supplied complete with combined isolating and non-return valves with filters on inlets for 15mm copper. Outlet screwed 1/2" BSP male

# HTM64

## (TB H1) Markwik bib taps

TB H1 and TB6 conforming to HTM64 and designed to meet the needs of the healthcare market.



November 2017	
Uniclass PR_40_20	CAWS N13
C/S/F/B	(74)

### ARMITAGE SHANKS

- Suitable for close fist operation
- 15cm long lever

#### Illustrated

**S8270** Markwik 1/2" bib taps  
**B1686** Bib tap wall mounts 1/2" for concealed plumbing (pair)

#### Material

Chrome Plated Brass

#### Weight

Bib Taps 1.6kg

#### Finishes

Available in Chrome (AA)

#### Options

- B1682** Bib tap extensions 1/2" x 75mm long (pair)
- B1681** Bib tap extension 1/2" x 75mm long (single)
- B1684** Bib tap extensions 1/2" x 100mm long (pair)
- B1683** Bib tap extension 1/2" x 100mm long (single)
- B1685** Bib tap wall mounts 1/2" for concealed plumbing (single)
- B1688** Bib tap wall mounts 1/2" for exposed plumbing (pair)
- B1687** Bib tap wall mount 1/2" for exposed plumbing (single)

#### Special notes

Inlets screwed 1/2" BSP male. For use in conjunction with sinks and hoppers, with appropriate length extension. Flow rate 7.2 litres per minute @ 0.1 bar

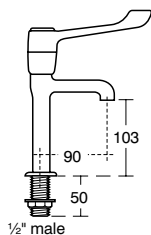




# HTM64

## (TP3) Pillar Taps

TP3 Pillar taps conforming to HTM64 for sluices, washbasins and sinks. When taps are closed levers are parallel to wall. Suitable for low or high pressure systems.



1/2" male

November 2017	
Uniclass PR_40_20	CAWS N13
CI/SFB	(74)

ARMITAGE SHANKS

Suitable for closed fist operation

Basin pillar taps

15cm long lever

**Illustrated**

**S8265** (TP 3) Markwik 1/2" high neck pillar taps

**Material**

Chrome Plated Brass

**Weight**

Pillar Taps 2.3kg

**Finishes**

Available in Chrome (AA)

**Standards**

BS 5412: 1996, BS EN 200 Functional Standard

**Special notes**

Inlets screwed 1/2" BSP male. For use in connection with domestic services procedures

## Hospitals

November 2017	
Uniclass PR_40_20	CAWS N13
CI/SFB	(74)

ARMITAGE SHANKS

# Markwik 21+

Research-driven innovation has created a new healthcare standard for taps and mixers, with a range of patent-pending features some of which are shown below.

**Detach, submerge and disinfect**

All Markwik 21+ mixers can be fully dismantled for disinfection. Detachable spout can be autoclaved

**Wash Biofilm away**

Small-bore antimicrobial pipes increase water force and turbulence to help remove biofilm. Markwik 21+ has 52% less waterways than existing model

**Thermal cleanse**

The maximum temperature stop can be overridden to allow very hot water to be flushed through the fitting for cleansing

**More brass to discourage bacteria**

Markwik 21+ is over 85% brass which is less attractive for bacteria growth. Where plastic is used we have chosen grades that are less attractive to bacteria

**New Markwik21+ deck mixer brings clinical hygiene to all areas of the hospital**

Fully demountable deck mixer can be dismantled and disinfected like the wall hung version



# HTM64

## (TB H2a) Markwik 21+ sequential lever mixer, demountable

Panel mounted thermostatic basin mixer with lever operation. Mainly used as a healthcare hospital mixer (TB H2a). Insulated technology keeps the 'hot' side of the mixer at a safe surface temperature. Includes a thermal disinfection feature. Body demounts from panel for submergible disinfection and BioGuard outlet also helps protect against bacteria.



### ARMITAGE SHANKS

- Medical and healthcare use
- Sequential lever operation
- Built in isolation valves
- Front access for D-08 auditing and servicing
- Thermal disinfection feature
- Demount, submerge and disinfect
- Remove and sterilise spout
- BioGuard against bacteria

#### Illustrated

**A6682** Markwik 21+ panel mounted thermostatic basin mixer, single sequential lever, demountable with removable spout

#### Material

Chrome Plated Brass

#### Weight

3.6kg

#### Finishes

Chrome (AA)

#### Options

**A6899** Markwik 21+ purging kit for panel mounted thermostatic mixers

**A6735** Markwik 21+ panel mounted thermostatic basin mixer, single sequential lever, demountable

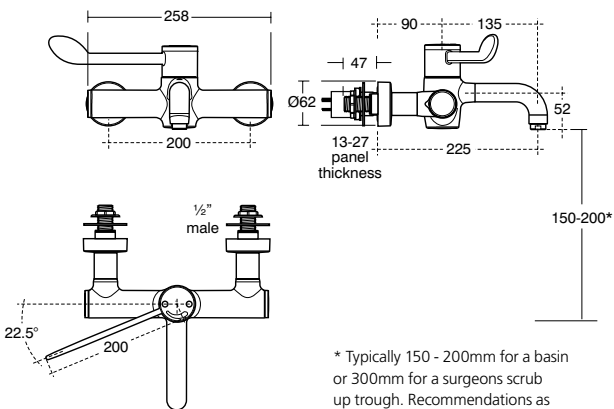
#### Standards

Conforms to HTM64 (2006), HTM04, HFN30

#### Special notes

Single lever for on/off operation and temperature control. Especially suited to medium and large hospital pattern integral back outlet basins and washing associated with clinical or nursing procedures. Fitted with an Armitage Bioguard outlet which reduces the opportunity for biofilm attachment and is lined with anti-microbial copper. Unique built-in thermal disinfection cleansing feature. Spout is removable for autoclave sterilisation. Body demounts for submergible disinfection. Suitable for high and low pressure systems. Flow rate regulated to maximum of 10 litres per minute. A separate purging feature is available to facilitate initial installation flushing and water sampling. WRAS NO. 1704021

\* Typically 150 - 200mm for a basin or 300mm for a surgeons scrub up trough. Recommendations as defined in HBN 00-10 Part C.



# HTM64

## (TB H6) Markwik 21+ timed flow sensor mixer, demountable

Mainly used as a healthcare hospital mixer (TB H6). Demountable panel thermostatic mixer tap removable spout with interchangeable filter and fitted with Armitage Shanks BioGuard.



### ARMITAGE SHANKS

- Medical and healthcare use
- Timed flow sensor operation
- Built in isolation valves
- Front access for D-08 auditing and servicing
- Thermal disinfection feature
- Demount, submerge and disinfect
- Remove and sterilise spout
- BioGuard against bacteria
- Conforms to HBN 04-01 Addendum 2013

#### Illustrated

**A6684** Markwik 21+ panel mounted thermostatic basin mixer, timed flow sensor, demountable with removable spout

#### Material

Chrome Plated Metal

#### Weight

3.6kg

#### Finishes

Chrome (AA)

#### Options

**A6899** Markwik 21+ purging kit for panel mounted thermostatic mixers

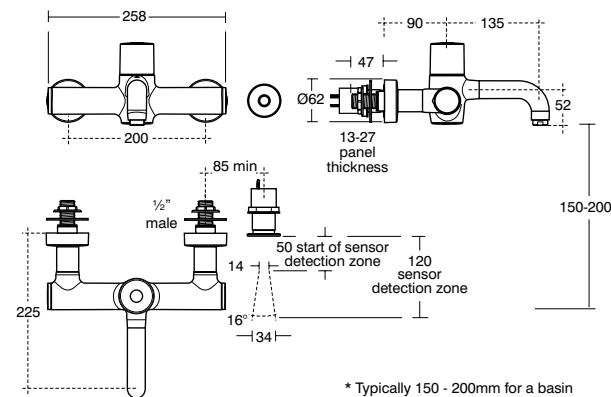
**A6737** Markwik 21+ panel mounted thermostatic basin mixer, time flow sensor, demountable

#### Standards

Conforms to HTM64 (2006), HTM04, HFN30

#### Special notes

Mixer tap is activated by hand movement over the sensor and water will run for a predetermined length of time. Factory pre-set at 1 minute but adjustable. Hygienic automatic flush can be set to occur every 6, 12, 24, 48 or 72 hours. Especially suited to medium and large hospital pattern integral back outlet basins and washing associated with clinical or nursing procedures. Fitted with an Armitage Bioguard outlet which reduces the opportunity for biofilm attachment and is lined with anti-microbial copper. Unique built-in thermal disinfection cleansing feature. Spout is removable for autoclave sterilisation. Body demounts for submergible disinfection. Suitable for high and low pressure systems. Flow rate regulated to maximum of 10 litres per minute. A separate purging kit is available to facilitate initial installation flushing and water sampling. WRAS NO. 1705015



\* Typically 150 - 200mm for a basin or 300mm for a surgeons scrub up trough. Recommendations as defined in HBN 00-10 Part C.

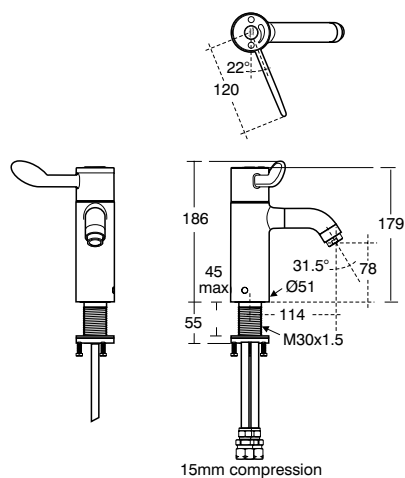




# HTM64

## (TP6) Markwik 21+ mixer

Deck mounted thermostatic basin mixer with lever operation for use on one taphole basins. Insulated technology keeps the 'hot' side of the mixer at a safe surface temperature. Includes a thermal disinfection feature. Spout is removable for autoclave sterilisation, body demounts from base for submergible disinfection and Bioguard outlet also helps protect against bacteria.



November 2017	
Uniclass PR_40_20	CAWS N13
C/S/F/B	(74)

### ARMITAGE SHANKS

General healthcare  
Thermal disinfection feature  
Demount, submerge and disinfect  
Front access for D-08 auditing and servicing  
Remove and sterilise spout  
Bioguard against bacteria

#### Illustrated

**A6696** Markwik 21+ 1 hole thermostatic basin mixer, single sequential lever, demountable with copper tails

#### Material

Chrome Plated Brass

#### Weight

2.5kg

#### Finishes

Chrome (AA)

#### Options

**A6791** Markwik 21+ basin mixer fixing kit for use with Contour 21+ closed basin

#### Special notes

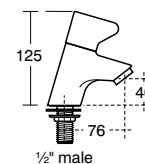
Single sequential lever for on/off operation and temperature control. Fitted with an Armitage Bioguard outlet which reduces the opportunity for biofilm attachment and is lined with anti-microbial copper. Unique built-in thermal disinfection cleansing feature. Spout is removable for autoclave sterilisation. Body demounts for submergible disinfection. During demounting, integral safety valves will shut off water, in case supplies not isolated. Integral isolating valves, strainers, check valves and flow regulators; which are all accessible from above the basin. Temperature factory set to 40±1°C. Suitable for high and low pressure systems. Flow rate regulated to maximum of 10 litres per minute. Clamping ring with three fixing screws for added security.

Accessory fixing kit specifically designed to facilitate the installation of A6696 when used with Contour 21+ closed basins. Fits onto the tail of the basin mixer and rotates the copper tails by 90° inside the hollow basin cavity, with the inlet water connections coming from the rear.  
WRAS SAMPLE NO. 1705011

# HTM64

## (TP5) Piccolo 21 pillar taps

TP5 Nuastyle 21 inclined ½" washbasin pillar taps, small lever operated, dual hot and cold indices, anti-vandal water saving 5 litres per minute nozzle.



November 2017	
Uniclass PR_40_20	CAWS N13
C/S/F/B	(74)

### ARMITAGE SHANKS

Small lever operation  
Anti vandal outlet

#### Illustrated

**B8262** Piccolo 21 inclined ½" washbasin pillar taps, lever operated anti-vandal water saving nozzle

#### Material

Chrome Plated Brass

#### Weight

1.6kg

#### Finishes

Available in Chrome (AA)

#### Special notes

Inlets screwed ½" BSP male, bored and coned for 15mm copper tube. Servicing valves are recommended for isolating fittings. Consideration should be given to safe hot water delivery and the use of an appropriate temperature reduction device see A5900 or Part G for guidance. Regulated flow rate 4.7 litres per minute. Unregulated flow rate 8.5 litres per minute at 0.1 bar. WRAS NO. 1611023



# HTM64

## (WT1 - WT4) Wastes

Wastes for HTM64 (2006)



November 2017	
Uniclass PR_40_20	CAWS N13
C/S/F/B	(74)

### ARMITAGE SHANKS

Strainer wastes  
Bead chain wastes

#### Illustrated

- S8720** (WT1) Waste 1¼" brass strainer waste, 80mm unslotted tail
- S8768** (WT4) Waste 1½" unslotted chain waste, plug and screw stay, 90mm tail
- S8726** (WT2) Waste 1½" unslotted strainer waste, 80mm tail brass

#### Weight

- 1¼" Brass unslotted waste 80mm tail 0.4kg
- 1½" unslotted chain waste 90mm tail 0.4kg
- 1½" unslotted chain waste 80mm tail 0.2kg

#### Finishes

Available in Chrome (AA)

#### Options

- S8715** (WT3) Waste 1¼" waste with bead chain & plug 80mm unslotted tail, screw stay
- S8760** Waste 1½" unslotted strainer waste, 50mm long, 75mm diameter brass



### ARMITAGE SHANKS

Resealing bottle traps  
Removable sump  
75mm seal

#### Illustrated

- S8920** Trap 1¼" plastic resealing bottle, 75mm seal
- S8925** Trap 1½" plastic resealing bottle with 75mm seal, multi-purpose outlet

#### Material

Plastic

#### Weight

- Trap 1¼" Plastic Bottle 2.0kg
- Trap 1½" Plastic Bottle 2.0kg

#### Special notes

Multi-purpose outlet suitable for plastic and BS copper pipe



# HTM64

## (TRR1/P & TRR2/P) Traps

Only resealing bottle traps are now listed in HTM64 (2006). Self coloured for use in both exposed and concealed applications on fittings connected to single stack plumbing in particular.



HTM/HBN 00-10

Hospital

# HBN 00-10 (TM1)

## Shower Fittings

For use on TM1 shower mixer conforming to NHS TMV3 approved scheme.



November 2017	
Uniclass PR_40_20	CAWS N13
C/S/F/B	(74)

### ARMITAGE SHANKS

Quick release  
Chrome plated

#### Illustrated

- S9390** Quick release coupling set, ½"

#### Material

Chrome Plated

#### Weight

Shower Hose 1.0kg

#### Finishes

Available in Chrome (AA)

#### Special notes

Quick release coupling designed for the removal of flexible hoses for disinfection purposes. Built-in swivel coupler also increases the life of the hose



### ARMITAGE SHANKS

Domestic and commercial use  
Wall mounted handspray holder  
Easy to install and maintain

#### Illustrated

- B9308** Armaglide 2 shower set with single function handspray, 1800mm smooth hose, wall mounted holder and category 5 hose retainer

#### Material

Chrome Plated Metal

#### Weight

1.0kg

#### Finishes

Chrome Plated (AA)

#### Options

- B9309** Chrome Plated (AA)

#### Special notes

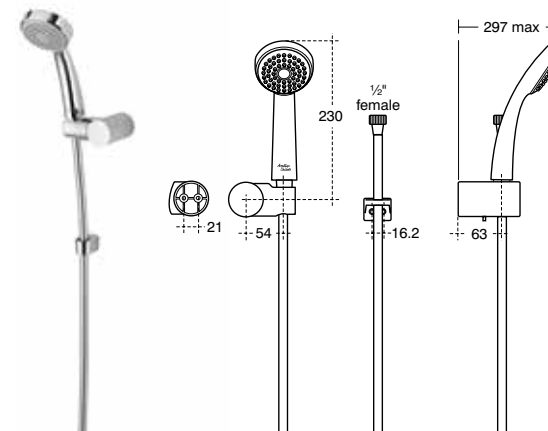
Removable 8 Litres per minute Eco flow regulator. Flow rate 5.5 litres per minute at 1 bar



# HBN 00-10 (TM1)

## Shower Fittings

Armaglide 2 shower set with single or 3 function handsprays and 1800mm spiral hose.



HTM/HBN 00-10

Hospital

Uniclass PR_40_20	CAWS N13
C/S/FB	(74)

# HTM64

## (BD H) Concept Hospital bidet

Contemporary designed bidet offered with no overflow, for use in hospital ensuite rooms.



### Hospital use

#### Illustrated

**E8004** Concept bidet back-to-wall 1 taphole, no overflow

**A4852** Sensorflow 21 compact washbasin mounted spout integral sensor servicing valve and filter, copper tube inlets, mains

**A5900** TMV Thermostatic mixing valve 15mm

#### Weight

Bidet 20.30kg

#### Finishes

White (01)

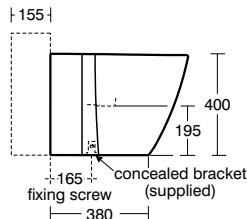
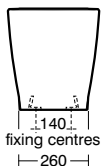
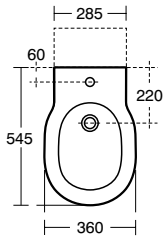
#### Options

**S8715** (WT3) Waste 1¼" waste with bead chain & plug 80mm unslotted tail, screw stay

**S8760** Waste 1½" unslotted strainer waste, 50mm long, 75mm diameter brass

#### Special notes

Bidet screwed to floor using concealed brackets (supplied). Joint to wall sealed with waterproof sealant (not supplied). Consideration should be given to safe hot water delivery and the use of an appropriate temperature reduction device see A5900AA or Part G for guidance. Requires a 155mm spacer box to increase the projection to 700mm.



# Index

## Description

Product Description	Page
40 x 17cm back rest without cushion - white	12 : 2 : 4
60cm straight grab rail - stainless steel	12 : 2 : 7
(ST A) Doon sink, single bowl left hand drainer 120 x 65cm, 2 tapholes at 200mm centres, no overflow	13 : 1 : 11
(ST A) Doon sink, single bowl right hand drainer 120 x 60cm, 2 tapholes at 200mm centres, no overflow	13 : 1 : 11
(ST A) Doon sink, single bowl right hand drainer 120 x 65cm, 2 tapholes at 200mm centres, no overflow	13 : 1 : 11
(ST B) Doon sink, double drainer 180 x 60cm, 2 tapholes at 200mm centres, no overflow	13 : 1 : 12
(ST B) Doon sink, double drainer 180 x 65cm with 2 tapholes at 200mm centres, no overflow HMT63 profile	13 : 1 : 12
(ST B) Doon sink, single bowl double drainer 180 x 60cm, no tapholes, no overflow	13 : 1 : 12
100 Reach spout	5 : 1 : 23
100cm straight grab rail - blue	12 : 2 : 3
100cm straight grab rail - charcoal	12 : 2 : 3
100cm straight grab rail - grey	12 : 2 : 3
100cm straight grab rail - stainless steel	12 : 2 : 3
100cm straight grab rail - white	12 : 2 : 3
110cm straight grab rail - blue	12 : 2 : 4
110cm straight grab rail - charcoal	12 : 2 : 4
110cm straight grab rail - grey	12 : 2 : 4
110cm straight grab rail - stainless steel	12 : 2 : 4
110cm straight grab rail - white	12 : 2 : 4
135 Reach spout	5 : 1 : 23
30cm straight grab rail - blue	12 : 2 : 2
30cm straight grab rail - charcoal	12 : 2 : 2
30cm straight grab rail - grey	12 : 2 : 2
30cm straight grab rail - stainless steel	12 : 2 : 2
30cm straight grab rail - white	12 : 2 : 2
40 x 17cm back rest without cushion - blue	12 : 2 : 4
40 x 17cm back rest without cushion - charcoal	12 : 2 : 4
40 x 17cm back rest without cushion - grey	12 : 2 : 4
40 x 17cm back rest without cushion - stainless steel	12 : 2 : 4
40 x 22cm back rest without cushion - blue	12 : 2 : 4
40 x 22cm back rest without cushion - charcoal	12 : 2 : 4
40 x 22cm back rest without cushion - grey	12 : 2 : 4
40 x 22cm back rest without cushion - stainless steel	12 : 2 : 4
40 x 22cm back rest without cushion - white	12 : 2 : 4
45 x 45cm cranked grab rail - blue	12 : 2 : 6
45 x 45cm cranked grab rail - chrome plated	12 : 2 : 7
45 x 45cm cranked grab rail - grey	12 : 2 : 6
45 x 45cm cranked grab rail - stainless steel	12 : 2 : 6
45 x 45cm cranked grab rail - stainless steel	12 : 2 : 7
45 x 45cm cranked grab rail - white	12 : 2 : 6
45cm straight grab rail - blue	12 : 2 : 2
45cm straight grab rail - charcoal	12 : 2 : 2
45cm straight grab rail - chrome plated	12 : 2 : 7
45cm straight grab rail - grey	12 : 2 : 2
45cm straight grab rail - stainless steel	12 : 2 : 2
45cm straight grab rail - stainless steel	12 : 2 : 7
45cm straight grab rail - white	12 : 2 : 2
50cm straight grab rail - blue	12 : 2 : 2
50cm straight grab rail - charcoal	12 : 2 : 2
50cm straight grab rail - grey	12 : 2 : 2
50cm straight grab rail - stainless steel	12 : 2 : 2
50cm straight grab rail - white	12 : 2 : 2
60cm straight grab rail - blue	12 : 2 : 2
60cm straight grab rail - charcoal	12 : 2 : 2
60cm straight grab rail - chrome plated	12 : 2 : 7
60cm straight grab rail - grey	12 : 2 : 2
60cm straight grab rail - stainless steel	12 : 2 : 2
60cm straight grab rail - white	12 : 2 : 2
65cm projection hinged support arm NHS compliant - blue	12 : 2 : 5
65cm projection hinged support arm NHS compliant - charcoal	12 : 2 : 5
65cm projection hinged support arm NHS compliant - grey	12 : 2 : 5
65cm projection hinged support arm NHS compliant - stainless steel	12 : 2 : 5
65cm projection hinged support arm NHS compliant - white	12 : 2 : 5

Product Description	Page
70cm straight grab rail - blue	12 : 2 : 3
70cm straight grab rail - charcoal	12 : 2 : 3
70cm straight grab rail - grey	12 : 2 : 3
70cm straight grab rail - stainless steel	12 : 2 : 3
70cm straight grab rail - white	12 : 2 : 3
80cm hinged support arm - chrome plated	12 : 2 : 7
80cm hinged support arm - stainless steel	12 : 2 : 7
80cm projection hinged support arm Doc M compliant - blue	12 : 2 : 5
80cm projection hinged support arm Doc M compliant - charcoal	12 : 2 : 5
80cm projection hinged support arm Doc M compliant - grey	12 : 2 : 5
80cm projection hinged support arm Doc M compliant - stainless steel	12 : 2 : 5
80cm projection hinged support arm, Doc M compliant - white	12 : 2 : 5
80cm straight grab rail - blue	12 : 2 : 3
80cm straight grab rail - charcoal	12 : 2 : 3
80cm straight grab rail - grey	12 : 2 : 3
80cm straight grab rail - stainless steel	12 : 2 : 3
80cm straight grab rail - white	12 : 2 : 3
90 x 40cm angled shower grab rail - left hand - blue	12 : 2 : 7
90 x 40cm angled shower grab rail - left hand - charcoal	12 : 2 : 7
90 x 40cm angled shower grab rail - left hand - grey	12 : 2 : 7
90 x 40cm angled shower grab rail - left hand - stainless steel	12 : 2 : 7
90 x 40cm angled shower grab rail - left hand - white	12 : 2 : 7
90 x 40cm angled shower grab rail - right hand - blue	12 : 2 : 6
90 x 40cm angled shower grab rail - right hand - charcoal	12 : 2 : 6
90 x 40cm angled shower grab rail - right hand - grey	12 : 2 : 6
90 x 40cm angled shower grab rail - right hand - stainless steel	12 : 2 : 6
90 x 40cm angled shower grab rail - right hand - white	12 : 2 : 6
90cm straight grab rail - blue	12 : 2 : 3
90cm straight grab rail - charcoal	12 : 2 : 3
90cm straight grab rail - grey	12 : 2 : 3
90cm straight grab rail - stainless steel	12 : 2 : 3
90cm straight grab rail - white	12 : 2 : 3
Alder sink 51cm high back and fitted stainless steel bucket grating	9 : 1 : 3
Alterna 21 bib taps ½" lever handles, anti vandal outlet, pair	5 : 1 : 4
Alterna 21 high neck pillar taps ½" lever handles pair	5 : 1 : 3
Alterna 21 pillar taps ½" lever handles pair	5 : 1 : 2
Alterna 21 pillar taps ¾" lever handles, pair	5 : 1 : 2
Angus sink, 44cm with 28cm high back, 1½" integral strainer waste and Stainless Steel bucket grating	9 : 2 : 4
Anti vandal fixed shower head, panel mounted back inlet	7 : 2 : 5
Anti vandal shower head, back inlet, solid wall fixing, demountable for easy cleaning	7 : 2 : 5
Anti vandal shower head, bottom inlet, solid wall fixing, demountable for easy cleaning.	7 : 2 : 5
Aridian vitreous china waterless bowl urinal, shrouded outlet, renewable cartridge with outlet adapter	8 : 1 : 2
Armaglide 2 handspray, single function	11 : 4 : 3
Armaglide 2 shower kit with 3 function handspray, 900mm rail 1800mm smooth hose	7 : 2 : 2
Armaglide 2 shower kit with single function handspray, 900mm rail and 1800mm smooth hose	7 : 2 : 2
Armaglide 2 shower set with 3 function handspray, 1800mm smooth hose	7 : 2 : 3
Armaglide 2 shower set with single function handspray, 1800mm smooth hose	7 : 2 : 3
Avon 21 self closing push button shower mixing valve exposed, variable temperature	7 : 1 : 5
Avon 21 self closing push button shower valve with concealing plate, non mixing	7 : 1 : 4
Avon 21 self closing push button shower with concealing plate, variable temperature control	7 : 1 : 3
Avon 21 washbasin inclined pillar taps (pair) with dual Hot and Cold indices per tap	5 : 1 : 6
Avon 21 washbasin mixer 1 hole, self closing push button, variable temperature control	5 : 1 : 7
Avon 21 washbasin mixer 1 hole, self closing push button, variable temperature control with copper tube inlets	5 : 1 : 7
Avon bib tap, non concussive self closing	5 : 1 : 5
Avon self closing push button exposed shower valve	7 : 1 : 2
Back cushion support & clips	12 : 2 : 4
Bakasan seat no cover with stainless steel rod and metal top fix hinges	2 : 1 : 8
Basin fixing set for panels or block walls	13 : 1 : 21
Belfast 60cm sink (boxed)	9 : 1 : 2
Belfast 60cm sink (unboxed)	9 : 1 : 4
Belfast drainer plain 61 x 46cm reversible for 61 x 46cm sink	9 : 1 : 4
Berwick 2 47cm stainless steel self rimming countertop bowl	3 : 3 : 2
Bib tap extension 100mm, single	5 : 1 : 27

Product Description	Page
Bib tap extension 75mm, single	5 : 1 : 27
Bib tap extensions 100mm, pair	5 : 1 : 4
Bib tap extensions 75mm, pair	5 : 1 : 4
Bib tap wall mount ½" for concealed plumbing, pair	5 : 1 : 4
Bib tap wall mount ½" for exposed plumbing, pair	5 : 1 : 4
Bib tap wall mount ½" for exposed plumbing, single	5 : 1 : 27
Bib tap wall mounts ½" for concealed plumbing (pair)	9 : 2 : 4
Bib tap wall mounts ½" for concealed plumbing (pair)	9 : 1 : 3
BioGuard outlet (retro-fit)	5 : 1 : 23
Birch cleaner's sink 46cm with fitted bucket grating	9 : 1 : 5
Birch cleaner's sink 51cm with fitted bucket grating	9 : 1 : 5
Bracket concealed with clamps and centre waste support for Portman 21 washbasins 60 and 50cm	11 : 2 : 13
Brackets build-in Aluminium alloy, 355mm overall, 305mm stud (pair)	9 : 3 : 4
Brackets build-in Aluminium alloy, 405mm overall, 355mm stud (pair)	9 : 3 : 4
Brackets build-in Aluminium alloy, 455mm overall, 405mm stud (pair)	9 : 3 : 4
Broadway washing trough 120cm long	4 : 1 : 2
Broadway washing trough 180cm long	4 : 1 : 2
Broadway washing trough 240cm long	4 : 1 : 2
Calder stainless steel washing trough 120cm long 2 taphole positions	4 : 2 : 2
Calder stainless steel washing trough 120cm long for wall mounted bib taps	4 : 2 : 2
Calder stainless steel washing trough 180cm long for wall mounted bib taps	4 : 2 : 2
Calder stainless steel washing trough 180cm long, 3 taphole positions	4 : 2 : 2
Calder stainless steel washing trough 240cm long for wall mounted bib taps	4 : 2 : 2
Calder stainless steel washing trough 240cm long, 4 taphole positions	4 : 2 : 2
Calder stainless steel washing trough 300cm long, 5 taphole positions, central outlet with 2" domed waste	4 : 2 : 2
Care Plus flexible 120cm feed and 150cm waste system for sideways adjustment	12 : 1 : 9
Care Plus flexible 70cm feed and 70cm waste system for vertical adjustment only	12 : 1 : 7
Care Plus folding shower seat, adjustable height and back rest	12 : 1 : 12
Care Plus folding shower seat, fixed height	12 : 1 : 12
Care Plus folding shower seat, height adjustable up to 240mm	12 : 1 : 12
Care Plus Salonex washbasin mounting bracket, gas cell counter balanced with lever lock, vertical adjustment	12 : 1 : 8
Care Plus Salonex washbasin mounting bracket, gas cell counter balanced with lever lock, vertical and horizontal adjustment	12 : 1 : 10
Care Plus shower chair with arm supports, vertical and horizontal adjustment	12 : 1 : 11
Care Plus track 120cm length	12 : 1 : 9
Care Plus track 60cm length	12 : 1 : 9
Care Plus track 90cm length	12 : 1 : 9
Care Plus washbasin mounting bracket, electrically operated by lever, vertical adjustment	12 : 1 : 7
Care Plus washbasin mounting bracket, gas cell counter balanced with lever lock, vertical adjustment	12 : 1 : 7
Care Plus washbasin mounting bracket, gas cell counter balanced with lever lock, vertical and horizontal adjustment	12 : 1 : 9
Care Plus washbasin mounting bracket, manually operated, vertical adjustment	12 : 1 : 7
Care Plus washbasin mounting bracket, manually operated, vertical and horizontal adjustment	12 : 1 : 9
Care Plus washbasin mounting electrically operated by lever, vertical and horizontal adjustment	12 : 1 : 9
Category 5 hose retaining bracket	5 : 1 : 37
Cherwell 21 38cm round under-countertop washbasin with overflow	3 : 4 : 2
Cherwell 21 48cm round under-countertop washbasin with overflow	3 : 4 : 2
Cistern Conversion Kit - To 9 litre Flush	13 : 1 : 3
Clena cistern 6 litre single flush syphon, high level, side supply and internal overflow	13 : 1 : 3
Clothes hook screw to wall, plastic	11 : 3 : 3
Clyde plaster sink left hand sink with work surface stainless steel integral brackets, strainer basket	13 : 1 : 9
Clyde plaster sink, right hand sink with work surface	13 : 1 : 9
Clyde plaster sink, right hand sink with work surface and 2 tapholes at 200mm centres	13 : 1 : 9
Conceala 2 cistern 4.5 litre single flush valve delay fill bottom supply and internal overflow	2 : 2 : 10
Conceala 2 cistern 4.5 or 4 litre single flush valve side supply and internal overflow	2 : 5 : 3
Conceala 2 cistern 4.5 or 6 litre single flush syphon side supply and internal overflow	2 : 4 : 5
Conceala 2 cistern 4.5/3 or 4/2.6 litre dual flush valve side supply and internal overflow	2 : 5 : 2
Conceala 2 cistern 4/6 litre dual flush valve bottom supply and internal overflow	2 : 2 : 8
Conceala 2 cistern 6 litre single flush syphon high level side supply and internal overflow	2 : 5 : 5
Conceala 2 cistern 6 litre single flush valve bottom supply and internal overflow	2 : 2 : 8
Conceala 2 cistern 6 litre single flush valve side supply and internal overflow	2 : 5 : 3
Conceala 2 cistern 6 or 4.5 litre single flush syphon side supply and internal overflow	2 : 5 : 4
Conceala 2 cistern 6/4 litre dual flush valve top inlet and internal overflow	2 : 5 : 2
Conceala 2 cistern delay fill 4.5 litre single flush syphon low level bottom supply and internal overflow	2 : 5 : 4
Conceala auto cistern 13.6 litre with cover auto syphon and petcock	8 : 3 : 3

Product Description	Page
Conceala auto cistern 4.5 litre with cover, auto syphon and petcock	8 : 3 : 3
Conceala auto cistern 4.5 litre with cover, auto syphon and petcock	11 : 5 : 2
Conceala auto cistern 9.0 litre with cover, auto syphon and petcock	8 : 3 : 3
Concealed hangers pressed Steel, toggle bolts and clips for Contour washbasins	3 : 1 : 4
Concept 2 lever 250mm	2 : 5 : 4
Concept 2 lever 400mm external	2 : 5 : 4
Concept bidet back-to-wall 1 taphole, no overflow	13 : 1 : 40
Concept toilet roll holder	11 : 2 : 7
Contemporary 21 hinged support rail, 80cm Doc M Compliant	11 : 2 : 7
Contemporary flush plate dual flush, Armitage Shanks logo for Conceala 2 cisterns	2 : 2 : 9
Contemporary flush plate dual flush, Armitage Shanks logo for Conceala 2 cisterns	2 : 6 : 12
Contemporary flush plate dual flush, Armitage Shanks logo, stainless steel for Conceala 2 cisterns	2 : 6 : 12
Contemporary flush plate dual flush, Ideal Standard logo for Conceala 2 cisterns	2 : 6 : 12
Contemporary flush plate dual flush, stainless steel unbranded for Conceala 2 cisterns	2 : 6 : 12
Contemporary flush plate dual flush, unbranded for Conceala 2 cisterns	2 : 6 : 12
Contour 21 37cm handrinse washbasin left hand taphole no overflow or chainstay hole, bottom outlet	3 : 5 : 2
Contour 21 37cm handrinse washbasin right hand taphole no overflow or chainstay hole, bottom outlet	3 : 5 : 2
Contour 21 37cm handrinse washbasin, 1 taphole, no overflow, no chainstay hole	3 : 5 : 2
Contour 21 42cm rectangular under-countertop washbasin with overflow	3 : 4 : 3
Contour 21 50cm back outlet washbasin, with 150mm upstand no tapholes, no overflow, no chainstay hole	3 : 1 : 4
Contour 21 50cm under-countertop washbasin with overflow, unglazed rim	3 : 4 : 4
Contour 21 55cm accessible washbasin, 1 taphole with overflow	3 : 1 : 5
Contour 21 55cm accessible washbasin, 2 tapholes with overflow and chainstay hole	3 : 1 : 5
Contour 21 55cm accessible washbasin, no tapholes with overflow	3 : 1 : 5
Contour 21 55cm rectangular under-countertop washbasin one taphole with overflow	3 : 4 : 5
Contour 21 55cm rectangular under-countertop washbasin with tap deck, 1 taphole with overflow	3 : 4 : 5
Contour 21 55cm rectangular under-countertop washbasin with tap deck, 1 taphole with overflow	3 : 4 : 5
Contour 21 60cm accessible washbasin, 1 taphole with overflow	3 : 1 : 5
Contour 21 60cm accessible washbasin, 2 tapholes with overflow and chainstay hole	3 : 1 : 5
Contour 21 60cm accessible washbasin, no tapholes with overflow	3 : 1 : 5
Contour 21 angled deck mounted soap dispenser, requires separate soap bottle	6 : 1 : 2
Contour 21 angled shower curtain rail	11 : 4 : 3
Contour 21 back support rail for 70cm projection WC, 40 x 17 x 35mm diameter tube	13 : 1 : 27
Contour 21 back support rail for 75cm projection WC	13 : 1 : 27
Contour 21 bath filler thermostatic wall mounted single lever sequential	5 : 1 : 11
Contour 21 bath shower mixer thermostatic wall mounted	5 : 1 : 11
Contour 21 close coupled delay fill, syphon cistern 4.5 litre single flush with bottom supply and internal overflow	2 : 1 : 2
Contour 21 Contemporary grab rail 45cm long	11 : 2 : 7
Contour 21 Contemporary grab rail 60cm long	11 : 2 : 7
Contour 21 extension for use with panel mounted soap dispenser A9209 to increase reach by 40mm from 112 to 152mm	6 : 1 : 3
Contour 21 flange for Sensorflow 21 fittings A4851 / A4852 / A4853 to match angled soap dispenser	4 : 1 : 3
Contour 21 flushpipe constructed, necessary for installation	2 : 2 : 4
Contour 21 grab rail straight 45cm long x 35mm diameter	11 : 2 : 3
Contour 21 grab rail straight 60cm long x 35mm diameter	11 : 2 : 3
Contour 21 hinged support rail 80 x 35mm diameter, Doc M Compliant	11 : 2 : 3
Contour 21 lever operated concentric thermostatic shower mixing valve with mounting box	13 : 1 : 29
Contour 21 outlet extension connector for 70/75cm WC pan outlet	2 : 6 : 14
Contour 21 panel mounted soap dispenser, requires separate soap bottle	6 : 1 : 3
Contour 21 raised height close coupled WC pan, 75cm projection with horizontal outlet	2 : 1 : 2
Contour 21 seat and cover, top fixing hinges	2 : 7 : 2
Contour 21 seat no cover, top fixing hinges and retaining buffers	2 : 7 : 2
Contour 21 seat retaining buffers, white	2 : 1 : 2
Contour 21 shower handset holder, sliding	11 : 4 : 3
Contour 21 soap bottle direct feed for use only with Contour 21 deck mounted soap dispensers	6 : 1 : 4
Contour 21 soap bottle remote 4 feed for use with all Contour 21 soap dispensers	6 : 1 : 4
Contour 21 soap bottle remote single feed for use with all Contour 21 soap dispensers	6 : 1 : 4
Contour 21 Splash 305mm back-to-wall rimless bowl	2 : 1 : 3
Contour 21 Splash 355mm back-to-wall rimless bowl	2 : 1 : 4
Contour 21 Splash 355mm wall mounted rimless bowl	2 : 4 : 5
Contour 21 Splash 40cm Schools basin with overflow - one taphole	3 : 1 : 7
Contour 21 Splash 40cm Schools basin with overflow - two tapholes	3 : 1 : 7
Contour 21 Splash 40cm semi-countertop washbasin, one taphole with overflow	3 : 2 : 2
Contour 21 Splash 50cm Schools basin with overflow - one taphole	3 : 1 : 6

Product Description	Page
Contour 21 Splash 50cm Schools basin with overflow - two tapholes	3 : 1 : 6
Contour 21 Splash schools close coupled cistern for 305 / 355 bowls 4/2.6, 6/4 litre - dual flush lever	2 : 1 : 4
Contour 21 Splash schools close coupled cistern for 305 / 355 bowls, 4/2.6, 6/4 litre - dual push button	2 : 1 : 3
Contour 21 Splash seat and cover for 305mm bowls	2 : 7 : 3
Contour 21 Splash seat and cover for 355mm bowls	2 : 7 : 3
Contour 21 Splash seat ring only for 305mm bowl	2 : 7 : 3
Contour 21 Splash seat ring only for 355mm bowls	2 : 7 : 3
Contour 21 Splash semi pedestal for 50cm basins	3 : 1 : 6
Contour 21 stainless steel circular 6 person trough with automatic taps	4 : 2 : 4
Contour 21 stainless steel circular 6 person trough with automatic taps and soap dispensers	4 : 2 : 4
Contour 21 stainless steel circular 6 person trough with self closing taps	4 : 2 : 4
Contour 21 stainless steel circular 6 person trough with self closing taps and soap dispensers	4 : 2 : 4
Contour 21 stainless steel circular 8 person trough with automatic taps	4 : 2 : 5
Contour 21 stainless steel circular 8 person trough with automatic taps and soap dispensers	4 : 2 : 5
Contour 21 stainless steel circular 8 person trough with self closing tap	4 : 2 : 5
Contour 21 stainless steel circular 8 person trough with self closing taps and soap dispensers	4 : 2 : 5
Contour 21 stainless steel semi circular 4 person trough with automatic tap	4 : 2 : 3
Contour 21 stainless steel semi circular 4 person trough with automatic taps and soap dispensers	4 : 2 : 3
Contour 21 stainless steel semi circular 4 person trough with self closing taps	4 : 2 : 3
Contour 21 stainless steel semi circular 4 person trough with self closing taps and soap dispensers	4 : 2 : 3
Contour 21 thermostatic built-in shower mixer, lever operated	7 : 1 : 6
Contour 21 thermostatic exposed shower mixer	7 : 1 : 8
Contour 21 thermostatic exposed shower mixer, lever operated	7 : 1 : 7
Contour 21 upright deck mounted soap dispenser, requires separate soap bottle	6 : 1 : 1
Contour 21 washbasin mixer wall mounted single control concealed, ceramic disc operation	5 : 1 : 8
Contour 21 washbasin mixer wall mounted single control concealed, quarter turn ceramic disc operation	5 : 1 : 8
Contour 21+ 1 hole thermostatic basin mixer, sequential lever with copper tails	5 : 1 : 9
Contour 21+ 1 hole thermostatic basin mixer, sequential lever with flexible tails	5 : 1 : 9
Contour 21+ 40cm back outlet washbasin, no tapholes, no overflow, with anti-microbial glaze	3 : 5 : 3
Contour 21+ 40cm back outlet washbasin, one left hand taphole, no overflow with anti-microbial glaze	3 : 5 : 3
Contour 21+ 40cm back outlet washbasin, one right hand taphole, no overflow with anti-microbial glaze	3 : 5 : 3
Contour 21+ 50cm back outlet washbasin, no tapholes, no overflow with anti-splash and anti-microbial glaze	3 : 1 : 2
Contour 21+ 50cm back outlet washbasin, one left hand taphole, no overflow with anti-microbial glaze	3 : 1 : 3
Contour 21+ 50cm back outlet washbasin, one right hand taphole, no overflow with anti-microbial glaze	3 : 1 : 3
Contour 21+ 60cm back outlet washbasin, no tapholes, no overflow with anti-splash and anti-microbial glaze	3 : 1 : 2
Contour 21+ 70cm projection back to wall rimless WC pan with horizontal outlet and anti-microbial glaze	2 : 2 : 5
Contour 21+ 75cm projection back to wall rimless WC pan with horizontal outlet and anti-microbial glaze	2 : 2 : 4
Contour 21+ 75cm projection wall mounted rimless WC pan with horizontal outlet, anti-microbial glaze	2 : 4 : 3
Contour 21+ back to wall rimless WC pan with raised horizontal outlet and anti-microbial glaze	2 : 2 : 2
Contour 21+ basin fixation set	3 : 1 : 3
Contour 21+ Outline 1 hole thermostatic basin mixer with pin handle and flexible tails	5 : 1 : 10
Contour 21+ raised height back to wall rimless WC pan with raised horizontal outlet and anti-microbial glaze	2 : 2 : 3
Contour 21+ rimless, wall mounted WC pan with horizontal outlet, 70cm projection, anti-microbial glaze	2 : 4 : 4
Contour 21+ slow close seat and cover with top fix hinges	2 : 7 : 2
Contour 21+ wall mounted rimless WC pan with horizontal outlet anti-microbial glaze	2 : 4 : 2
Contour 21+ waste pack with SmartGuard for tap deck basin	3 : 1 : 3
Contour 21+ waste pack with SmartGuard for wall mounted basin	3 : 1 : 2
Contour HygenIQ 67cm waterless urinal bowl, concealed waste with Aquanil technology	8 : 1 : 5
Contour HygenIQ urinal 67cm, concealed	8 : 1 : 4
Contour urinal in vitreous china, 67cm, concealed	8 : 1 : 3
CTV concentric thermostatic mixing valve with extended lever, mounting box with stainless steel cover plate	13 : 1 : 30
CTV EL built-in concentric thermostatic mixer with extended lever	7 : 1 : 9
CTV EL built-in concentric thermostatic mixer with extended lever & Idealrain M3 shower kit	12 : 1 : 14
CTV exposed concentric thermostatic mixer with extended lever	7 : 1 : 10
Cushion for back support with clips, new design	2 : 2 : 4
Dee left hand slop hopper with sink, back inlet	13 : 1 : 2
Dee left hand slop hopper with sink, top inlet	13 : 1 : 3
Dee right hand slop hopper with sink, back inlet	13 : 1 : 2
Dee right hand slop hopper with sink, top inlet	13 : 1 : 3
Dee sink and left hand slop hopper, top inlet, 2 tapholes	13 : 1 : 3
Denholm 2 46cm stainless steel washbasin with no tapholes, no overflow or chainstay hole	3 : 1 : 8
Denholm 2 46cm stainless steel washbasin with right hand taphole, no overflow or chainstay hole	3 : 1 : 8
Denholm 2 46cm washbasin with 2 corner tapholes complete with combined chainstay overflow waste	3 : 1 : 8

Product Description	Page
Denholm 2 washbasin shroud stainless steel for surface fixing with access panel	3 : 1 : 9
Deveron urinal with back inlet spreaders or exposed sparge pipes with downpipe as required, 120cm	8 : 2 : 2
Deveron urinal with back inlet spreaders or exposed sparge pipes with downpipe as required, up to 180cm	8 : 2 : 2
Deveron urinal with back inlet spreaders or exposed sparge pipes with downpipe as required, up to 240cm	8 : 2 : 2
Deveron urinal with back inlet spreaders or exposed sparge pipes with downpipe as required, up to 305cm	8 : 2 : 2
Doc M Contour 21 Ambulant care WC pack	11 : 3 : 2
Doc M Contour 21+ Ambulant care WC pack	11 : 3 : 2
Doc M Contour 21+ and Sensorflow 21 wall mounted left hand pack	11 : 2 : 8
Doc M Contour 21+ and Sensorflow 21 wall mounted right hand pack	11 : 2 : 8
Doc M Contour 21+ back to wall left hand corner pack	11 : 2 : 4
Doc M Contour 21+ back to wall right hand corner pack	11 : 2 : 4
Doc M Contour 21+ close coupled left hand corner pack	11 : 2 : 2
Doc M Contour 21+ close coupled right hand corner pack	11 : 2 : 2
Doc M Contour 21+ peninsular care pack	11 : 2 : 12
Doc M Contour 21+ wall mounted left hand corner pack	11 : 2 : 6
Doc M Contour 21+ wall mounted right hand corner pack	11 : 2 : 6
Doc M Standard low level left hand corner pack	11 : 2 : 10
Doc M Standard low level right hand corner pack	11 : 2 : 10
Domex screws (pair)	2 : 1 : 6
Domex screws (set of 4)	2 : 1 : 8
Doon sink, double bowl left hand drainer 180 x 60cm, 2 tapholes at 200mm centres for each bowl, no overflow	13 : 1 : 13
Doon sink, double bowl left hand drainer 180 x 60cm, no tapholes no overflow	13 : 1 : 13
Doon sink, double bowl left hand drainer 180 x 65cm, 2 tapholes at 200mm centres for each bowl, no overflow	13 : 1 : 13
Doon sink, double bowl right hand drainer 180 x 60cm, no tapholes, no overflow	13 : 1 : 13
Doon sink, single bowl 60 x 60cm, 2 tapholes	13 : 1 : 14
Doon sink, single bowl 60 x 60cm, no tapholes, no overflow	13 : 1 : 14
Doon sink, single bowl 60 x 65cm, 2 tapholes	13 : 1 : 14
Doon sink, single bowl left hand drainer 120 x 60cm, 2 tapholes at 200mm centres, no overflow	13 : 1 : 11
Doon sink, single bowl left hand drainer 120 x 60cm, no tapholes, no overflow	13 : 1 : 11
Doon sink, single bowl left hand drainer 120 x 65cm, no tapholes, no overflow	13 : 1 : 11
Doon sink, single bowl right hand drainer 120 x 60cm, no tapholes, no overflow	13 : 1 : 11
Doon sink, single bowl right hand drainer 120 x 65cm, no tapholes, no overflow	13 : 1 : 11
Fast Fix wall bracket for bar valves with 150mm pipe centres	12 : 1 : 22
Finger push button mechanism for high level concealed cistern, for 150mm maximum wall thickness	2 : 6 : 11
Finger push button mechanism for low level concealed cistern, for 150mm maximum wall thickness	2 : 6 : 11
Finger push button mechanism for low level concealed cistern, for 400mm maximum wall thickness	2 : 2 : 11
Finger push button non-projecting, stainless steel vandal resistant pattern	2 : 2 : 11
Finger push button pneumatic, plastic for 31mm maximum thickness partition	2 : 6 : 9
Finger push button pneumatic, stainless steel body for 400mm maximum wall thickness	2 : 6 : 10
Finger push button pneumatic, stainless steel for 31mm maximum thickness partition	2 : 6 : 9
Firth 160cm scrub-up trough, left hand outlet strainer waste, trap cover and hangers	13 : 1 : 8
Firth 160cm scrub-up trough, right hand outlet strainer waste and hangers, non hospital versions without trap cover	13 : 1 : 8
Firth 160cm scrub-up trough, right hand outlet strainer waste, trap cover and hangers	13 : 1 : 8
Firth 240cm scrub-up trough, left hand outlet strainer waste, trap cover and hangers	13 : 1 : 8
Firth 240cm scrub-up trough, right hand outlet strainer waste, trap cover and hangers	13 : 1 : 8
Firth 80cm scrub-up trough, left hand outlet strainer waste and hangers, non hospital versions without trap cover	13 : 1 : 8
Firth 80cm scrub-up trough, left hand outlet strainer waste, trap cover and hangers	13 : 1 : 8
Firth 80cm scrub-up trough, right hand outlet strainer waste, trap cover and hangers	13 : 1 : 8
Fixed height handspray holder	5 : 1 : 37
Flow regulator, washbasin inlet, 4 litres per minute, pair	3 : 6 : 2
Flow regulator, washbasin inlet, 6 litres per minute, pair	3 : 6 : 2
Flushpipe 850 x 35mm diameter for slop hopper	13 : 1 : 2
Flushpipe telescopic, 1675mm and clip to suit Clena cistern and back inlet WC	2 : 6 : 15
Flushpipe telescopic, 1675mm to suit Conceala cistern and back inlet WC	2 : 6 : 15
Flushpipes concealed for 1 bowl urinal	11 : 5 : 2
Gemini seat and cover	2 : 3 : 2
Group low level cistern 6 litre single flush syphon side supply and internal overflow	11 : 2 : 11
Hangers concealed, Steel	3 : 6 : 5
Hose bracket chrome	11 : 4 : 3
HygenIQ plastic splash reducing waste, 50mm unslotted tail	8 : 3 : 6
Idealrain S1 rainshower fixed 100mm shower head with short angled arm	7 : 2 : 4
In-wall system for WC, 1100mm high, mechanical front operation flushplate	2 : 6 : 16
In-wall system for WC, 1100mm high, pneumatic front operation flushplate	2 : 6 : 17



Product Description	Page
In-wall system for WC, 820mm high, mechanical top or front operation flushplate	2 : 6 : 20
In-wall system for WC, 820mm high, pneumatic top or front operation flushplate	2 : 6 : 21
In-wall system for WC, 880mm high, mechanical top or front operation flushplate	2 : 6 : 18
In-wall system for WC, 880mm high, pneumatic top or front operation flushplate	2 : 6 : 19
Inlet protection caps	5 : 1 : 23
Isolation valve ½" with screwdriver control, inlet and outlet for 15mm copper	2 : 6 : 14
Janitorial unit stainless steel 50cm wide x 60cm projection x 90cm high complete with mixer tap	9 : 2 : 5
Karisma flush plate dual flush, branded for Conceala 2 cisterns	2 : 6 : 13
Karisma flush plate dual flush, unbranded	2 : 6 : 13
Kinloch urinal 120cm long complete with 2" domed strainer waste, central outlet	8 : 2 : 3
Kinloch urinal 180cm long complete with 2" domed strainer waste, centre outlet	8 : 2 : 3
Kinloch urinal 240cm long complete with 2" domed strainer waste, centre outlet	8 : 2 : 3
Kinloch urinal to special length, up to 120cm long complete with 2" domed strainer waste, central outlet	8 : 2 : 3
Kinloch urinal to special length, up to 180cm long complete with 2" domed strainer waste, central outlet	8 : 2 : 3
Kinloch urinal to special length, up to 240cm long complete with 2" domed strainer waste, central outlet	8 : 2 : 3
Kinloch urinal to special length, up to 305cm long complete with 2" domed strainer waste, central outlet	8 : 2 : 3
Kirn wall mounted stainless steel shower panel with anti vandal shower head and self-closing push button shower valve	7 : 2 : 6
Kirn wall mounted stainless steel shower panel with thermostatic lever operated shower valve	7 : 2 : 6
Leadenhall 55cm washbasin, back outlet, no tapholes	3 : 1 : 10
Leg 350mm stainless steel with 355mm screw to wall Aluminium alloy bearer, 305mm stud (pair)	9 : 3 : 5
Leg 350mm stainless steel with screw to wall Aluminium alloy bearer, 405mm overall, 355mm stud (pair)	9 : 3 : 5
Leg 650mm stainless steel with screw to wall Aluminium alloy bearer, 355mm overall, 305mm stud (pair)	9 : 3 : 5
Leg 650mm stainless steel with screw to wall Aluminium alloy bearer, 405mm overall, 355mm stud (pair).	9 : 1 : 4
Leg 900mm stainless steel to floor	13 : 1 : 2
Leg 900mm stainless steel with 405mm screw to wall Aluminium alloy bearer, 355mm stud, for drainer	9 : 1 : 4
Leven slop hopper stainless steel, back inlet	13 : 1 : 6
Leven slop hopper stainless steel, top inlet	13 : 1 : 7
Lever flushing spatula for Conceala cistern	11 : 2 : 5
Lever operated shower diverter	11 : 4 : 3
Markwik ½" bib taps	5 : 1 : 18
Markwik ½" high neck pillar taps	5 : 1 : 17
Markwik ½" pillar mixer with 150mm levers single flow pattern swivel nozzle	5 : 1 : 13
Markwik ½" pillar mixer with 150mm levers twin flow pattern, swivel nozzle	5 : 1 : 13
Markwik ½" pillar mixer, inlets at 200mm with quarter turn 150mm levers, 200mm projection swivel nozzle	5 : 1 : 13
Markwik ½" pillar taps, raised nose, inlets screwed ½" BSP male	5 : 1 : 12
Markwik ½" wall mounted mixer with 125mm projection single flow swivel nozzle swan-neck nozzle	5 : 1 : 15
Markwik ½" wall mounted mixer with single flow horizontal nozzle, anti splash outlet, 150mm levers	5 : 1 : 16
Markwik ½" wall mounted mixer with single flow horizontal nozzle, thimble spray outlet, 150mm levers	5 : 1 : 16
Markwik ½" wall mounted mixer, concealed inlets with 125mm projection single flow swivel nozzle	5 : 1 : 14
Markwik ½" wall mounted mixer, exposed inlets with 125mm projection single flow swivel nozzle	5 : 1 : 14
Markwik 21+ 1 hole thermostatic basin mixer, single sequential lever, demountable with copper tails	5 : 1 : 19
Markwik 21+ 2 hole thermostatic basin mixer, single sequential lever, demountable	5 : 1 : 20
Markwik 21+ basin mixer fixing kit for use with Contour 21+ closed basin	5 : 1 : 19
Markwik 21+ panel mounted thermostatic basin mixer, single sequential lever, demountable	5 : 1 : 21
Markwik 21+ panel mounted thermostatic basin mixer, single sequential lever, demountable with removable spout	5 : 1 : 21
Markwik 21+ panel mounted thermostatic basin mixer, time flow sensor, demountable	5 : 1 : 22
Markwik 21+ panel mounted thermostatic basin mixer, time flow sensor, demountable with removable spout	5 : 1 : 22
Markwik 21+ purging kit for 2 hole thermostatic mixers	5 : 1 : 20
Markwik 21+ purging kit for panel mounted thermostatic mixers	5 : 1 : 21
Marlow 21 48cm under-countertop washbasin with overflow	3 : 4 : 6
Marlow 21 48cm under-countertop washbasin with overflow, glazed underside	3 : 4 : 6
Marlow 21 55cm under-countertop washbasin with overflow	3 : 4 : 6
Multi system back support, fixed height	12 : 1 : 6
Multi-System back support, white	11 : 2 : 7
Multi-System shower curtain 1200 x 1200mm	11 : 4 : 3
Mura 13.6 litre auto cistern with auto syphon, petcock and supports	8 : 3 : 4
Mura 4.5 litre auto cistern with auto syphon, petcock and supports	8 : 3 : 4
Mura 9.0 litre auto cistern with auto syphon, petcock and supports	8 : 3 : 4
Nimbus 21 bib tap ablation spray with 1.25m metal hose and handspray single	5 : 1 : 27
Nimbus 21 bib taps ½" anti vandal outlet, pair	5 : 1 : 24
Nimbus 21 bib taps ½" anti vandal spray outlet, pair	5 : 1 : 25
Nimbus 21 bib taps ½" hose union outlet pair	5 : 1 : 26
Nimbus 21 concealed bib tap wall mount, self centralising installation, single	5 : 1 : 27

Product Description	Page
Nisa Lowline 170 x 70cm steel bath, anti slip, no tap holes, no hand grips	13 : 1 : 28
Orbit 21 55cm countertop washbasin 1 right hand taphole no overflow or chainstay hole	12 : 1 : 3
Orbit 21 55cm countertop washbasin 1 taphole no overflow	3 : 3 : 3
Orbit 21 55cm countertop washbasin 1 taphole with overflow	3 : 3 : 3
Orbit 21 55cm countertop washbasin 1 taphole with overflow no chainstay hole, no logo	3 : 3 : 3
Orbit 21 55cm countertop washbasin 2 tapholes no overflow no chainstay hole	3 : 3 : 3
Orbit 21 55cm countertop washbasin 2 tapholes with overflow and chainstay hole	3 : 3 : 3
Ova Pedestal	3 : 1 : 16
P trap outlet, plastic for slop hoppers	13 : 1 : 2
Pair Steel wall hangers	3 : 5 : 5
Palm push button mechanism for high level concealed cistern for 150mm maximum wall thickness	2 : 6 : 11
Palm push button mechanism for low level concealed cistern for 150mm maximum wall thickness	2 : 6 : 11
Palm push button mechanism for low level concealed cistern for 400mm maximum wall thickness	2 : 6 : 11
Palm push button pneumatic, plastic for 31mm thickness partition	2 : 6 : 9
Palm push button pneumatic, stainless steel for 31mm maximum thickness partition	2 : 6 : 9
Panekta outlet connector, finned pattern to convert horizontal outlet WCs to P trap	2 : 2 : 10
Panekta outlet connector, finned pattern to convert horizontal outlet WCs to S or turned P trap	2 : 2 : 10
Panekta outlet connector, finned pattern to convert horizontal outlet WCs to S or turned P trap	2 : 6 : 15
Panekta outlet connector, finned pattern to convert horizontal outlet WCs to S or turned P trap	2 : 6 : 15
Panekta outlet connector, finned pattern, offset	2 : 6 : 14
Panekta outlet connector, finned pattern, straight	2 : 6 : 14
Panekta outlet connector, finned pattern, straight	2 : 6 : 14
Panekta outlet Connector, plain pattern to convert horizontal outlet WCs to S or turned P trap	2 : 6 : 15
Panel fix escutcheons pair, for bar style shower	12 : 1 : 18
Perth 2 back inlet WC pan with horizontal outlet with black seat and cover	2 : 2 : 8
Perth 2 back-to-wall WC pan with horizontal outlet, no seat holes	2 : 2 : 8
Piccolo 21 (was Nuastyle 21) inclined ½" washbasin pillar taps, lever operated, anti-vandal laminar flow water saving outlet	5 : 1 : 28
Piccolo 21 thermostatic 2 hole bath filler and Armaglide 2 shower set	5 : 1 : 30
Piccolo 21 washbasin mixer 1 hole single lever with pop-up waste	5 : 1 : 29
Piccolo 21 washbasin mixer 1 hole single lever with pop-up waste	5 : 1 : 29
Piccolo 21 washbasin mixer 1 hole single lever, no waste	5 : 1 : 29
Piccolo 21 washbasin mixer 1 hole single lever, no waste	5 : 1 : 29
Pillar taps with 4 litres per minute fitted inlet flow regulators	5 : 1 : 32
Planet 21 50cm countertop washbasin 1 taphole with overflow no chainstay hole	3 : 3 : 4
Planet 21 50cm countertop washbasin 2 tapholes with overflow and chainstay hole	3 : 3 : 4
Plastic flushpipe for top inlet slop hopper	13 : 1 : 3
Plastic one piece offset flushbend for Doc M Standard WC for use with spacer box	11 : 2 : 11
Plastic strainer	13 : 1 : 17
Portman 21 50cm pedestal washbasin 1 taphole with overflow	3 : 1 : 11
Portman 21 50cm pedestal washbasin 2 tapholes with overflow and chainstay hole	3 : 1 : 11
Portman 21 50cm washbasin, 2 tapholes with overflow and chainstay hole	3 : 1 : 12
Portman 21 55cm pedestal washbasin 1 taphole with overflow	3 : 1 : 11
Portman 21 55cm pedestal washbasin 2 tapholes with overflow and chainstay hole	3 : 1 : 11
Portman 21 full pedestal	3 : 1 : 11
Portman 21 general purpose small washbasin, 40 x 37cm, single right hand taphole, no overflow	13 : 1 : 21
Portman 21 semi-pedestal	3 : 1 : 11
Portman 21 washbasin 40cm, 1 left hand taphole no overflow, no chainstay hole	13 : 1 : 21
Portman 21 washbasin 50cm, 1 left hand taphole no overflow, no chainstay hole	13 : 1 : 20
Portman 21 washbasin 50cm, 1 right hand taphole, no overflow, no chainstay hole	13 : 1 : 20
Portman 21 washbasin 50cm, 1 taphole, no overflow or chainstay hole	11 : 2 : 14
Portman 21 washbasin 50cm, 2 tapholes, no overflow or chainstay hole	13 : 1 : 20
Portman 21 washbasin 60cm, 1 taphole, no overflow or chainstay hole	11 : 2 : 13
Portman 21 washbasin, 60cm, single right hand taphole, no overflow, no chainstay	13 : 1 : 20
Profile 21 50cm semi-countertop washbasin 1 right hand taphole no overflow or chainstay hole	12 : 1 : 2
Profile 21 50cm semi-countertop washbasin 1 taphole no overflow or chainstay hole	12 : 1 : 2
Profile 21 50cm semi-countertop washbasin 2 tapholes no overflow with chainstay hole	3 : 2 : 3
Profile 21 50cm semi-countertop washbasin 2 tapholes no overflow with chainstay hole	12 : 1 : 2
Profile 21 50cm semi-countertop washbasin 2 tapholes with overflow no chainstay hole	3 : 2 : 3
Profile 21 50cm semi-countertop washbasin, 1 taphole with overflow no chainstay hole	3 : 2 : 3
Profile 21 65cm waterless urinal bowl, concealed waste with Aquanil technology	8 : 1 : 7
Profile 21 close coupled cistern 4/2.6 litre dual flush push button valve, bottom supply and internal overflow	2 : 1 : 5
Profile 21 close coupled cistern, 6/4 litre dual flush push button valve bottom supply and internal overflow	2 : 1 : 5
Profile 21 rimmed back inlet urinal bowl	8 : 1 : 8



Product Description	Page
Profile 21 seat and cover	2 : 1 : 5
Profile 21 seat and cover, slow close	2 : 1 : 5
Profile 21 urinal bowl for spreader, top or back inlet	8 : 1 : 6
Profile 21 WC pan back-to-wall horizontal outlet	2 : 2 : 9
Profile 21 WC pan close coupled with horizontal outlet	2 : 1 : 5
Purita drinking fountain complete with self closing non-convulsive valve with push button operation	10 : 1 : 3
Purita drinking fountain with wall fixed, floor standing pedestal 700mm high for junior use	10 : 1 : 2
Purita drinking fountain with wall fixed, floor standing pedestal 900mm high for adult use	10 : 1 : 2
Purita drinking fountain with wall fixed, floor standing pedestal 900mm high for adult use	10 : 1 : 2
Quick release coupling set, ½"	13 : 1 : 39
Regal 13.6 litre auto cistern and cover, auto syphon and petcock	8 : 3 : 4
Regal 4.5 litre auto cistern and cover, auto syphon and petcock	8 : 3 : 4
Regal 9.0 litre auto cistern and cover, auto syphon and petcock	8 : 3 : 4
Remote Control Programmer	5 : 1 : 53
Restrictor for WC flushpipe	11 : 2 : 11
River flush plate, dual flush, mechanical	2 : 6 : 16
S trap outlet, plastic for slop hoppers	13 : 1 : 2
Salina flush plate, dual flush, pneumatic	2 : 6 : 19
Salonex 61cm washbasin with 2 tapholes	3 : 1 : 14
Salonex brackets, screw to wall, Aluminium alloy	3 : 1 : 14
Sandringham 21 35cm handrinse washbasin, 2 taphole, no overflow no chainstay hole	3 : 5 : 5
Sandringham 21 35cm handrinse washbasin, 2 taphole, with overflow and chainstay hole	3 : 5 : 5
Sandringham 21 35cm handrinse washbasin, left hand taphole, with overflow no chainstay hole	3 : 5 : 5
Sandringham 21 35cm handrinse washbasin, right hand taphole, with overflow no chainstay hole	3 : 5 : 5
Sandringham 21 45cm handrinse washbasin, 1 taphole, with overflow no chainstay hole	3 : 5 : 6
Sandringham 21 45cm handrinse washbasin, 2 tapholes, with overflow and chainstay hole	3 : 5 : 6
Sandringham 21 48cm corner handrinse basin, 2 tapholes with overflow and chainstay hole	3 : 5 : 7
Sandringham 21 48cm corner washbasin, 1 taphole with overflow	3 : 5 : 7
Sandringham 21 50cm countertop washbasin, 1 taphole with overflow, no chainstay hole	3 : 3 : 5
Sandringham 21 50cm countertop washbasin, 2 tapholes with overflow and chainstay hole	3 : 3 : 5
Sandringham 21 50cm countertop washbasin, 2 tapholes with overflow no chainstay hole	3 : 3 : 5
Sandringham 21 50cm semi-countertop washbasin, 1 taphole with overflow no chainstay hole	3 : 2 : 4
Sandringham 21 50cm semi-countertop washbasin, 2 tapholes with overflow and chainstay hole	3 : 2 : 4
Sandringham 21 50cm semi-countertop washbasin, 2 tapholes with overflow no chainstay hole	3 : 2 : 4
Sandringham 21 50cm washbasin, 1 taphole, with overflow no chainstay hole	3 : 1 : 15
Sandringham 21 50cm washbasin, 2 taphole, with overflow and chainstay hole	3 : 1 : 15
Sandringham 21 55cm washbasin, 1 taphole, with overflow and chainstay hole	3 : 1 : 15
Sandringham 21 55cm washbasin, 1 taphole, with overflow no chainstay hole	3 : 1 : 15
Sandringham 21 55cm washbasin, 2 tapholes, with overflow and chainstay hole	3 : 1 : 15
Sandringham 21 back to wall WC pan with horizontal outlet	2 : 2 : 10
Sandringham 21 bath filler 2 hole	5 : 1 : 34
Sandringham 21 bath filler 2 hole, crosshead handles	5 : 1 : 36
Sandringham 21 bath filler 2 hole, lever handles	5 : 1 : 39
Sandringham 21 bath pillar taps	5 : 1 : 32
Sandringham 21 bath pillar taps, crosshead handles	5 : 1 : 35
Sandringham 21 bath pillar taps, lever handles	5 : 1 : 38
Sandringham 21 bath shower 2 hole mixer with Armaglide 2 shower set	5 : 1 : 34
Sandringham 21 bath shower mixer 2 hole with Armaglide 2 shower set, crosshead handles	5 : 1 : 37
Sandringham 21 bath shower mixer 2 hole with Armaglide 2 shower set, lever handles	5 : 1 : 39
Sandringham 21 Close Coupled 4/2.6 litre dual flush valve, bottom supply and internal overflow	2 : 1 : 6
Sandringham 21 Close Coupled 6/4 litre dual flush valve, bottom supply and internal overflow	2 : 1 : 6
Sandringham 21 close coupled cistern 6 or 4 litre single flush syphon bottom supply and internal overflow	2 : 1 : 7
Sandringham 21 close coupled cistern 6 or 4 litre single flush syphon bottom supply and internal overflow	2 : 1 : 7
Sandringham 21 close coupled cistern with spatula lever 6 or 4 litre single flush (reversible) syphon bottom supply	2 : 1 : 7
Sandringham 21 full pedestal	3 : 1 : 15
Sandringham 21 low level cistern 6 litre single flush syphon bottom supply and internal overflow	2 : 3 : 2
Sandringham 21 low level cistern 6 litre single flush syphon side supply and internal overflow	2 : 3 : 2
Sandringham 21 low level cistern 6/4 litre dual flush valve, bottom supply and internal overflow	2 : 3 : 2
Sandringham 21 raised height close coupled WC - horizontal outlet	2 : 1 : 8
Sandringham 21 seat and cover	2 : 1 : 6
Sandringham 21 seat and cover slow close	2 : 1 : 7
Sandringham 21 seat and cover, metal hinges	2 : 1 : 6
Sandringham 21 seat and cover, slow close	2 : 2 : 10

Product Description	Page
Sandringham 21 seat no cover, metal hinges	2 : 1 : 6
Sandringham 21 self closing pillar tap, single	5 : 1 : 31
Sandringham 21 self closing pillar taps, pair	5 : 1 : 31
Sandringham 21 SL 2 hole bath filler	5 : 1 : 42
Sandringham 21 SL 2 hole bath shower mixer with hose and handspray and category 5 hose retainer	5 : 1 : 43
Sandringham 21 SL basin mixer no waste with 5 litres per minute eco flow regulator	5 : 1 : 41
Sandringham 21 SL basin mixer with pop up waste and 5 litres per minute eco flow regulator	5 : 1 : 41
Sandringham 21 SL basin mixer with weighted chain and 5 litres per minute eco flow regulator	5 : 1 : 41
Sandringham 21 SL basin pillar taps ½" with 4 litres per minute eco flow regulators, pair	5 : 1 : 40
Sandringham 21 SL bath pillar taps ¾" pair	5 : 1 : 40
Sandringham 21 Smooth close coupled 4/2.6 litre dual flush valve, bottom supply and internal overflow	2 : 1 : 9
Sandringham 21 Smooth Close coupled 6/4 litre dual flush valve, bottom supply and internal overflow	2 : 1 : 9
Sandringham 21 Smooth close coupled WC pan with horizontal outlet	2 : 1 : 9
Sandringham 21 washbasin mixer 1 taphole	5 : 1 : 33
Sandringham 21 washbasin mixer 1 taphole with 4 litres per minute inlet flow regulators and pop-up waste	5 : 1 : 33
Sandringham 21 washbasin mixer 1 taphole with pop-up waste	5 : 1 : 33
Sandringham 21 washbasin mixer with weighted chain	5 : 1 : 33
Sandringham 21 washbasin pillar taps	5 : 1 : 32
Sandringham 21 washbasin pillar taps, crosshead handles	5 : 1 : 35
Sandringham 21 washbasin pillar taps, lever handles	5 : 1 : 38
Sandringham 21 washdown low level WC pan with horizontal outlet	2 : 3 : 2
Sandringham 21 WC pan with horizontal outlet	2 : 1 : 6
Sandringham 6 litre single flush bottom supply cistern to achieve 750mm projection	2 : 1 : 8
Sandringham Royalex 51cm washbasin with two corner tapholes and chainstay hole	3 : 1 : 16
Sandringham Royalex 56cm washbasin, 2 corner tapholes with overflow and chainstay hole	3 : 1 : 16
Sandringham Select sink pack, inset stainless steel 1.5 bowl and drainer	9 : 2 : 3
Sandringham Select sink pack, inset stainless steel 1.5 bowl and drainer	9 : 2 : 3
Sandringham Select sink pack, inset stainless steel single bowl and drainer	9 : 2 : 2
Sandringham Select sink pack, inset stainless steel single bowl and drainer	9 : 2 : 2
Sandringham Select sink, inset stainless steel 1.5 bowl complete with ½" basket strainer waste	9 : 2 : 3
Sandringham Select sink, inset stainless steel single bowl complete with ½" basket strainer waste	9 : 2 : 2
Sandringham wall bowl urinal	8 : 1 : 10
Sandringham wall mounted WC with horizontal outlet	2 : 4 : 6
Sanura 40cm wall urinal	8 : 1 : 11
Sanura 50cm urinal bowl	8 : 1 : 11
Sanura HygenIQ 40cm wall urinal	8 : 1 : 12
Sanura HygenIQ 40cm waterless urinal bowl, concealed waste with Aquanil technology	8 : 1 : 13
Sanura HygenIQ 50cm wall urinal	8 : 1 : 12
Sanura HygenIQ 50cm waterless urinal bowl, concealed waste with Aquanil technology	8 : 1 : 13
Sensorflow 21 compact tubular panel mounted 150mm projection spout, battery	5 : 1 : 44
Sensorflow 21 compact tubular panel mounted 150mm projection spout, link	5 : 1 : 44
Sensorflow 21 compact tubular panel mounted 150mm projection spout, mains	5 : 1 : 44
Sensorflow 21 compact tubular panel mounted 230mm projection spout, battery	5 : 1 : 45
Sensorflow 21 compact tubular panel mounted 230mm projection spout, link	5 : 1 : 45
Sensorflow 21 compact tubular panel mounted 230mm projection spout, mains	5 : 1 : 45
Sensorflow 21 compact washbasin mounted spout, battery	5 : 1 : 46
Sensorflow 21 compact washbasin mounted spout, link	5 : 1 : 46
Sensorflow 21 compact washbasin mounted spout, mains	5 : 1 : 46
Sensorflow 21 Electronic concealed shower valve and sensor, link box	7 : 1 : 11
Sensorflow 21 Electronic concealed shower valve and sensor, mains transformer	7 : 1 : 11
Sensorflow 21 Electronic urinal flushing valve with sensor, mains	8 : 1 : 8
Sensorflow 21 panel mounted 15cm cast spout integral sensor	5 : 1 : 52
Sensorflow 21 panel mounted 15cm cast spout integral sensor	5 : 1 : 52
Sensorflow 21 panel mounted 15cm cast spout integral sensor	5 : 1 : 52
Sensorflow 21 tubular panel mounted 150mm projection spout, battery	5 : 1 : 49
Sensorflow 21 tubular panel mounted 150mm projection spout, link	5 : 1 : 49
Sensorflow 21 tubular panel mounted 150mm projection, mains	5 : 1 : 49
Sensorflow 21 tubular panel mounted 230mm projection spout, battery	5 : 1 : 48
Sensorflow 21 tubular panel mounted 230mm projection, link	5 : 1 : 48
Sensorflow 21 tubular panel mounted 230mm projection, mains	5 : 1 : 48
Sensorflow 21 urinal flush valve panel mounted, battery	8 : 3 : 5
Sensorflow 21 urinal flush valve panel mounted, link	8 : 3 : 5
Sensorflow 21 urinal flush valve panel mounted, mains	8 : 3 : 5

Product Description	Page
Sensorflow 21 urinal flush valve surface mounted, battery	8 : 3 : 5
Sensorflow 21 urinal flush valve surface mounted, link	8 : 3 : 5
Sensorflow 21 urinal flush valve surface mounted, mains	8 : 3 : 5
Sensorflow 21 washbasin mounted mixer, battery	5 : 1 : 47
Sensorflow 21 washbasin mounted mixer, link	5 : 1 : 47
Sensorflow 21 washbasin mounted mixer, mains	5 : 1 : 47
Sensorflow 21 washbasin mounted spout, battery	5 : 1 : 51
Sensorflow 21 washbasin mounted spout, link	5 : 1 : 51
Sensorflow 21 washbasin mounted spout, mains	5 : 1 : 51
Sensorflow 21 washbasin mounted tall spout, battery	5 : 1 : 50
Sensorflow 21 washbasin mounted tall spout, link	5 : 1 : 50
Sensorflow 21 washbasin mounted tall spout, mains	5 : 1 : 50
Sensorflow 21 WC flushing device, panel mounted sensor	2 : 5 : 6
Sensorflow 21 WC flushing device, panel mounted sensor	2 : 5 : 6
Sensorflow 21 WC flushing device, panel mounted sensor	2 : 5 : 6
Sensorflow Wave basin mixer 1 hole with temperature control (mains)	5 : 1 : 54
Sensorflow Wave basin tap, 1 hole (battery)	5 : 1 : 53
Sensorflow Wave basin tap, 1 hole (mains)	5 : 1 : 53
Sensorflow Wave thermostatic basin mixer built-in 150mm spout (mains)	5 : 1 : 55
Sensorflow Wave thermostatic basin mixer built-in 230mm spout (mains)	5 : 1 : 55
Sensorflow Wave thermostatic basin mixer built-in 230mm spout with set temperature (mains)	5 : 1 : 56
Sensorflow Wave Thermostatic built-in shower mixer (mains)	7 : 1 : 13
Sensorflow Wave Thermostatic built-in shower mixer with set temperature (mains)	7 : 1 : 12
Sentry 21 back to wall WC pan with horizontal outlet	2 : 2 : 11
Sentry 21 back-to-wall WC pan with horizontal outlet, cistern and tactile controls	2 : 2 : 11
Sentry 21 back-to-wall WC pan with horizontal outlet, cistern and wave-on control	2 : 2 : 11
Short projection shower head for concealed or exposed supply	11 : 4 : 3
Shower hose, 1.35m long	11 : 4 : 3
Shower room pack with folding shower seat and back support	11 : 4 : 2
Shower seat folding with legs	12 : 1 : 5
Shower seat, folding 65cm projection fixed height	12 : 1 : 6
Shroud for duct fixing	3 : 1 : 9
Silhouette 1200-1500mm configurable wash trough with waste	4 : 1 : 4
Silhouette 1200-1500mm configurable wash trough with waste	4 : 1 : 8
Silhouette 1200mm 2 person wash trough with upstand & waste	4 : 1 : 7
Silhouette 1200mm 2 person washtrough with waste	4 : 1 : 3
Silhouette 1501-1800mm configurable wash trough with upstand & waste	4 : 1 : 9
Silhouette 1501-1800mm configurable wash trough with waste	4 : 1 : 5
Silhouette 1800mm 3 person wash trough with upstand & waste	4 : 1 : 7
Silhouette 1800mm 3 person washtrough with waste	4 : 1 : 3
Silhouette 1801-2100mm configurable wash trough with upstand & waste	4 : 1 : 9
Silhouette 1801-2100mm configurable wash trough with waste	4 : 1 : 5
Silhouette 2101-2400mm configurable wash trough with upstand & waste	4 : 1 : 8
Silhouette 2101-2400mm configurable wash trough with waste	4 : 1 : 4
Silhouette 2400mm 4 person wash trough with upstand & waste	4 : 1 : 6
Silhouette 2400mm 4 person washtrough with waste	4 : 1 : 3
Silhouette 2401-3000mm configurable washtrough with upstand & waste	4 : 1 : 9
Silhouette 2401-3000mm configurable washtrough with waste	4 : 1 : 5
Silhouette 3000mm 5 person wash trough with upstand & waste	4 : 1 : 7
Silhouette 3000mm 5 person washtrough with waste	4 : 1 : 3
Simpla Inlet Connector	2 : 6 : 14
Slim flush plate, dual flush, mechanical	2 : 6 : 16
Spacer box, laminate faced unit with access panel for Ventura	11 : 2 : 11
Spatula cistern lever	2 : 1 : 2
Spreader top inlet for Vitreous China bowl urinal, exposed	8 : 1 : 11
Spreader, back inlet for vitreous china urinal	8 : 1 : 3
Spreader, back inlet Sandringham	8 : 1 : 10
Spreader, top inlet Sandringham	8 : 1 : 10
Starlite hairdressers washbasin mixer 1 hole with metal handles, flexible hose, handspray	3 : 1 : 14
Stewart inset sink stainless steel single bowl no overflow and right hand drainer 940 x 485mm, 2 tapholes	9 : 2 : 6
Stirling left hand slop hopper with work surface, back inlet	13 : 1 : 4
Stirling left hand slop hopper with work surface, top inlet	13 : 1 : 5
Stirling right hand slop hopper with work surface, back inlet	13 : 1 : 4

Product Description	Page
Stirling right hand slop hopper with work surface, top inlet	13 : 1 : 5
Support bracket for wall mounted WC raised height with bolts	2 : 4 : 2
Support frame with bolts for wall hung pans	2 : 4 : 5
Tay wall urinal complete with back inlet spreader, waste, trap and screw to wall fixing	8 : 1 : 9
TMV Thermostatic mixing valve 15mm	5 : 1 : 58
TMV Thermostatic mixing valve 22mm	5 : 1 : 58
Toggle bolts to suit maximum 25mm panel thickness	8 : 1 : 3
Toilet roll holder for Contour 21 hinged arm rail	11 : 2 : 3
Toilet roll holder for hinged support arm - blue	12 : 2 : 6
Toilet roll holder for hinged support arm - charcoal	12 : 2 : 6
Toilet roll holder for hinged support arm - grey	12 : 2 : 6
Toilet roll holder for hinged support arm - stainless steel	12 : 2 : 6
Toilet roll holder for hinged support arm - white	12 : 2 : 6
Track stop	12 : 1 : 9
Trap 1½" bottle with 75mm seal, outlet screwed ½" BSP male with compression nut and ring	9 : 3 : 2
Trap 1¼" contemporary metal bottle	3 : 6 : 2
Trap 1¼" metal bottle, 75mm seal	3 : 6 : 2
Trap 1¼" metal bottle, 75mm seal, outlet screwed 1¼" BSP male with compression nut and ring	3 : 6 : 2
Trap 1½" plastic bottle with 75mm seal	9 : 3 : 2
Trap 1¼" plastic bottle, 75mm seal	3 : 6 : 2
Trap 1½" plastic P for use with cloakroom pedestal	3 : 6 : 5
Trap 1¼" plastic P with 75mm seal, multi-purpose outlet suitable for plastic and BS copper pipe	8 : 1 : 3
Trap 1½" plastic resealing bottle with 75mm seal, multi-purpose outlet	9 : 3 : 2
Trap 1¼" plastic resealing bottle, 75mm seal	3 : 6 : 2
Trend stainless steel flush plate, dual flush, pneumatic with tamper resistant screws	2 : 6 : 17
Troon 2 39cm washbasin complete with 1½" waste and fixing clips, no overflow	3 : 3 : 6
Unison economy seat and cover	2 : 3 : 2
Urinal concealed hangers, Steel	8 : 1 : 3
Urinal Connecting set	8 : 1 : 8
Urinal division Vitreous China with hanger and screw	8 : 1 : 13
Urinal syphon connector with 75mm water seal, and 40mm outlet	8 : 1 : 8
Wall elbow	11 : 4 : 3
Wall fixing set	3 : 1 : 5
Waste 1½" bath chain and overflow, plastic plug	13 : 1 : 28
Waste 1¼" brass anti theft swivel plug waste, 80mm slotted tail	3 : 6 : 4
Waste 1¼" brass strainer waste with lift out grid	3 : 6 : 3
Waste 1¼" brass strainer waste, 80mm slotted tail	3 : 6 : 3
Waste 1¼" brass strainer waste, 80mm unslotted tail	3 : 6 : 3
Waste 1¼" brass swivel plug waste, 80mm unslotted tail	3 : 6 : 4
Waste 1¼" brass waste with chain and plug, 80mm slotted tail, bolt stay	3 : 6 : 3
Waste 1¼" Click plug waste, 80mm slotted tail	3 : 6 : 4
Waste 1¼" Click waste for washbasin unslotted with plug	3 : 6 : 4
Waste 1¼" outlet adaptor for all Contour back outlet washbasins	3 : 1 : 10
Waste 1½" plastic domed strainer waste, 45mm unslotted tail	8 : 3 : 6
Waste 1¼" plastic strainer, 50mm unslotted tail	8 : 3 : 6
Waste 1¼" plastic strainer, dished pattern 80mm unslotted tail	3 : 6 : 3
Waste 1¼" plastic waste with bead chain and plug, 80mm slotted tail, bolt stay	3 : 6 : 3
Waste 1½" slotted strainer waste, 80mm	9 : 3 : 2
Waste 1½" slotted waste, chain and plug, 90mm tail	9 : 1 : 4
Waste 1½" slotted waste, chain and plug, bolt stay, 90mm tail	9 : 3 : 2
Waste 1½" strainer waste brass with stainless steel dome	8 : 3 : 6
Waste 1½" unslotted chain waste, plug and screw stay, 90mm tail	9 : 2 : 6
Waste 1½" unslotted strainer waste, 50mm long, 75mm diameter brass	13 : 1 : 2
Waste 1½" unslotted strainer waste, 80mm tail, brass	9 : 3 : 2
Waste 1¼" waste with bead chain & plug 80mm unslotted tail, screw stay	3 : 6 : 3
Waterless urinal cartridge - box of 32	8 : 1 : 2
Waterless urinal cartridge - single	8 : 1 : 2



# Index

## Code

Code

Index

Product Code	Product Description	Page
A3084	CTV exposed concentric thermostatic mixer with extended lever	7 : 1 : 10
A3085	CTV EL built-in concentric thermostatic mixer with extended lever	7 : 1 : 9
A4122	Sensorflow 21 washbasin mounted tall spout, battery	5 : 1 : 50
A4124	Sensorflow 21 washbasin mounted mixer, battery	5 : 1 : 47
A4125	Sensorflow 21 panel mounted 15cm cast spout integral sensor	5 : 1 : 52
A4126	Sensorflow 21 tubular panel mounted 150mm projection spout, battery	5 : 1 : 49
A4127	Contour 21 thermostatic exposed shower mixer	7 : 1 : 8
A4128	Contour 21 bath shower mixer thermostatic wall mounted	5 : 1 : 11
A4129	Contour 21 thermostatic built-in shower mixer, lever operated	7 : 1 : 6
A4130	Contour 21 thermostatic exposed shower mixer, lever operated	7 : 1 : 7
A4135	Contour 21 bath filler thermostatic wall mounted single lever sequential	5 : 1 : 11
A4171	Sensorflow 21 washbasin mounted tall spout, mains	5 : 1 : 50
A4172	Sensorflow 21 washbasin mounted tall spout, link	5 : 1 : 50
A4176	Sensorflow 21 washbasin mounted mixer, mains	5 : 1 : 47
A4177	Sensorflow 21 washbasin mounted mixer, link	5 : 1 : 47
A4178	Sensorflow 21 panel mounted 15cm cast spout integral sensor	5 : 1 : 52
A4179	Sensorflow 21 panel mounted 15cm cast spout integral sensor	5 : 1 : 52
A4180	Sensorflow 21 tubular panel mounted 150mm projection, mains	5 : 1 : 49
A4181	Sensorflow 21 tubular panel mounted 150mm projection spout, link	5 : 1 : 49
A4182	Sensorflow 21 tubular panel mounted 230mm projection spout, battery	5 : 1 : 48
A4183	Sensorflow 21 tubular panel mounted 230mm projection, mains	5 : 1 : 48
A4184	Sensorflow 21 tubular panel mounted 230mm projection, link	5 : 1 : 48
A4185	Sensorflow 21 Electronic concealed shower valve and sensor, mains transformer	7 : 1 : 11
A4186	Sensorflow 21 Electronic concealed shower valve and sensor, link box	7 : 1 : 11
A4314	Contour 21 lever operated concentric thermostatic shower mixing valve with mounting box	13 : 1 : 29
A4664	Sensorflow 21 washbasin mounted spout, battery	5 : 1 : 51
A4670	Sensorflow 21 urinal flush valve panel mounted, battery	8 : 3 : 5
A4671	Sensorflow 21 urinal flush valve surface mounted, battery	8 : 3 : 5
A4672	Anti vandal shower head, back inlet, solid wall fixing, demountable for easy cleaning	7 : 2 : 5
A4798	Sensorflow 21 washbasin mounted spout, mains	5 : 1 : 51
A4799	Sensorflow 21 washbasin mounted spout, link	5 : 1 : 51
A4845	Sensorflow 21 compact tubular panel mounted 150mm projection spout, battery	5 : 1 : 44
A4846	Sensorflow 21 compact tubular panel mounted 150mm projection spout, mains	5 : 1 : 44
A4847	Sensorflow 21 compact tubular panel mounted 150mm projection spout, link	5 : 1 : 44
A4848	Sensorflow 21 compact tubular panel mounted 230mm projection spout, battery	5 : 1 : 45
A4849	Sensorflow 21 compact tubular panel mounted 230mm projection spout, mains	5 : 1 : 45
A4850	Sensorflow 21 compact tubular panel mounted 230mm projection spout, link	5 : 1 : 45
A4851	Sensorflow 21 compact washbasin mounted spout, battery	5 : 1 : 46
A4852	Sensorflow 21 compact washbasin mounted spout, mains	5 : 1 : 46
A4853	Sensorflow 21 compact washbasin mounted spout, link	5 : 1 : 46
A4854	Sensorflow 21 urinal flush valve panel mounted, mains	8 : 3 : 5
A4855	Sensorflow 21 urinal flush valve panel mounted, link	8 : 3 : 5
A4856	Sensorflow 21 urinal flush valve surface mounted, mains	8 : 3 : 5
A4857	Sensorflow 21 urinal flush valve surface mounted, link	8 : 3 : 5
A4989	Piccolo 21 thermostatic 2 hole bath filler and Armaglide 2 shower set	5 : 1 : 30
A5451	Anti vandal shower head, bottom inlet, solid wall fixing, demountable for easy cleaning	7 : 2 : 5
A5452	Anti vandal fixed shower head, panel mounted back inlet	7 : 2 : 5
A5784	CTV EL built-in concentric thermostatic mixer with extended lever & Idealrain M3 shower kit	12 : 1 : 14
A5900	TMV Thermostatic mixing valve 15mm	5 : 1 : 58
A5901	TMV Thermostatic mixing valve 22mm	5 : 1 : 58
A6160	Sensorflow Wave basin tap, 1 hole (battery)	5 : 1 : 53
A6161	Sensorflow Wave basin tap, 1 hole (mains)	5 : 1 : 53
A6163	Sensorflow Wave basin mixer 1 hole with temperature control (mains)	5 : 1 : 54
A6165	Sensorflow Wave thermostatic basin mixer built-in 150mm spout (mains)	5 : 1 : 55
A6169	Sensorflow Wave thermostatic basin mixer built-in 230mm spout (mains)	5 : 1 : 55
A6171	Sensorflow Wave thermostatic basin mixer built-in 230mm spout with set temperature (mains)	5 : 1 : 56
A6173	Sensorflow Wave Thermostatic built-in shower mixer (mains)	7 : 1 : 13
A6175	Sensorflow Wave Thermostatic built-in shower mixer with set temperature (mains)	7 : 1 : 12
A6250	135 Reach spout	5 : 1 : 23
A6252	100 Reach spout	5 : 1 : 23
A6255	Inlet protection caps	5 : 1 : 23
A6682	Markwik 21+ panel mounted thermostatic basin mixer, single sequential lever, demountable with removable spout	5 : 1 : 21
A6684	Markwik 21+ panel mounted thermostatic basin mixer, time flow sensor, demountable with removable spout	5 : 1 : 22

Product Code	Product Description	Page
A6696	Markwik 21+ 1 hole thermostatic basin mixer, single sequential lever, demountable with copper tails	5 : 1 : 19
A6697	Contour 21+ 1 hole thermostatic basin mixer, sequential lever with copper tails	5 : 1 : 9
A6698	Contour 21+ 1 hole thermostatic basin mixer, sequential lever with flexible tails	5 : 1 : 9
A6734	Markwik 21+ 2 hole thermostatic basin mixer, single sequential lever, demountable	5 : 1 : 20
A6735	Markwik 21+ panel mounted thermostatic basin mixer, single sequential lever, demountable	5 : 1 : 21
A6737	Markwik 21+ panel mounted thermostatic basin mixer, time flow sensor, demountable	5 : 1 : 22
A6790	Contour 21+ Outline 1 hole thermostatic basin mixer with pin handle and flexible tails	5 : 1 : 10
A6791	Markwik 21+ basin mixer fixing kit for use with Contour 21+ closed basin	5 : 1 : 19
A6898	Markwik 21+ purging kit for 2 hole thermostatic mixers	5 : 1 : 20
A6899	Markwik 21+ purging kit for panel mounted thermostatic mixers	5 : 1 : 21
A7001	Sensorflow 21 Electronic urinal flushing valve with sensor, mains	8 : 1 : 8
A9208	Contour 21 upright deck mounted soap dispenser, requires separate soap bottle	6 : 1 : 1
A9209	Contour 21 panel mounted soap dispenser, requires separate soap bottle	6 : 1 : 3
A9210	Contour 21 angled deck mounted soap dispenser, requires separate soap bottle	6 : 1 : 2
A9239	Contour 21 soap bottle direct feed for use only with Contour 21 deck mounted soap dispensers	6 : 1 : 4
A9240	Contour 21 soap bottle remote single feed for use with all Contour 21 soap dispensers	6 : 1 : 4
A9241	Contour 21 soap bottle remote 4 feed for use with all Contour 21 soap dispensers	6 : 1 : 4
A9242	Contour 21 extension for use with panel mounted soap dispenser A9209 to increase reach by 40mm	6 : 1 : 3
A9243	Contour 21 flange for Sensorflow 21 fittings A4851 / A4852 / A4853 to match angled soap dispenser	4 : 1 : 3
B0270	Piccolo 21 washbasin mixer 1 hole single lever, no waste	5 : 1 : 29
B0356	Pillar taps with 4 litres per minute fitted inlet flow regulators	5 : 1 : 32
B0357	Sandringham 21 washbasin mixer 1 taphole	5 : 1 : 33
B1364	Category 5 hose retaining bracket	5 : 1 : 37
B1457	Alterna 21 bib taps ½" lever handles, anti vandal outlet, pair	5 : 1 : 4
B1673	Nimbus 21 bib taps ½" anti vandal outlet, pair	5 : 1 : 24
B1674	Nimbus 21 bib taps ½" hose union outlet pair	5 : 1 : 26
B1675	Nimbus 21 bib taps ½" anti vandal spray outlet, pair	5 : 1 : 25
B1676	Nimbus 21 bib tap ablation spray with 1.25m metal hose and handspray single	5 : 1 : 27
B1678	Alterna 21 pillar taps ½" lever handles pair	5 : 1 : 2
B1679	Alterna 21 high neck pillar taps ½" lever handles pair	5 : 1 : 3
B1680	Alterna 21 pillar taps ¾" lever handles, pair	5 : 1 : 2
B1681	Bib tap extension 75mm, single	5 : 1 : 27
B1682	Bib tap extensions 75mm, pair	5 : 1 : 4
B1683	Bib tap extension 100mm, single	5 : 1 : 27
B1684	Bib tap extensions 100mm, pair	5 : 1 : 4
B1685	Nimbus 21 concealed bib tap wall mount, self centralising installation, single	5 : 1 : 27
B1686	Bib tap wall mount ½" for concealed plumbing, pair	5 : 1 : 4
B1687	Bib tap wall mount ½" for exposed plumbing, single	5 : 1 : 27
B1688	Bib tap wall mount ½" for exposed plumbing, pair	5 : 1 : 4
B3304	Sandringham 21 SL basin pillar taps ½" with 4 litres per minute eco flow regulators, pair	5 : 1 : 40
B3305	Sandringham 21 SL bath pillar taps ¾" pair	5 : 1 : 40
B3306	Sandringham 21 SL basin mixer with pop up waste and 5 litres per minute eco flow regulator	5 : 1 : 41
B3307	Sandringham 21 SL basin mixer no waste with 5 litres per minute eco flow regulator	5 : 1 : 41
B3308	Sandringham 21 SL basin mixer with weighted chain and 5 litres per minute eco flow regulator	5 : 1 : 41
B3309	Sandringham 21 SL 2 hole bath filler	5 : 1 : 42
B3310	Sandringham 21 SL 2 hole bath shower mixer with hose and handspray and category 5 hose retainer	5 : 1 : 43
B8260	Piccolo 21 washbasin mixer 1 hole single lever, no waste	5 : 1 : 29
B8261	Piccolo 21 washbasin mixer 1 hole single lever with pop-up waste	5 : 1 : 29
B8262	Piccolo 21 inclined ½" washbasin pillar taps, lever operated, anti-vandal laminar flow water saving outlet	5 : 1 : 28
B8263	Avon 21 washbasin mixer 1 hole, self closing push button, variable temperature control	5 : 1 : 7
B8264	Avon 21 self closing push button shower mixing valve exposed, variable temperature	7 : 1 : 5
B8265	Avon 21 self closing push button shower with concealing plate, variable temperature control	7 : 1 : 3
B8266	Avon 21 self closing push button shower valve with concealing plate, non mixing	7 : 1 : 4
B8267	Avon 21 washbasin inclined pillar taps (pair) with dual Hot and Cold indices per tap	5 : 1 : 6
B8485	Panel fix escutcheons pair, for bar style shower	12 : 1 : 18
B8634	Fast Fix wall bracket for bar valves with 150mm pipe centres	12 : 1 : 22
B8861	Avon 21 washbasin mixer 1 hole, self dosing push button, variable temperature control with copper tube inlets	5 : 1 : 7
B9135	Piccolo 21 washbasin mixer 1 hole single lever with pop-up waste	5 : 1 : 29
B9304	Armaglide 2 handspray, single function	11 : 4 : 3
B9306	Armaglide 2 shower kit with single function handspray, 900mm rail and 1800mm smooth hose	7 : 2 : 2
B9307	Armaglide 2 shower kit with 3 function handspray, 900mm rail 1800mm smooth hose	7 : 2 : 2
B9308	Armaglide 2 shower set with single function handspray, 1800mm smooth hose	7 : 2 : 3
B9309	Armaglide 2 shower set with 3 function handspray, 1800mm smooth hose	7 : 2 : 3

Product Code	Product Description	Page
B9436	Idealrain S1 rainshower fixed 100mm shower head with short angled arm	7 : 2 : 4
B9448	Wall elbow	11 : 4 : 03
B9865	Sandringham 21 washbasin pillar taps	5 : 1 : 32
B9866	Sandringham 21 bath pillar taps	5 : 1 : 32
B9867	Sandringham 21 washbasin mixer 1 taphole	5 : 1 : 33
B9868	Sandringham 21 washbasin mixer 1 taphole with pop-up waste	5 : 1 : 33
B9869	Sandringham 21 washbasin mixer with weighted chain	5 : 1 : 33
B9870	Sandringham 21 bath filler 2 hole	5 : 1 : 34
B9871	Sandringham 21 bath shower 2 hole mixer with Armaglide 2 shower set	5 : 1 : 34
B9875	Sandringham 21 washbasin pillar taps, crosshead handles	5 : 1 : 35
B9876	Sandringham 21 bath pillar taps, crosshead handles	5 : 1 : 35
B9877	Sandringham 21 bath filler 2 hole, crosshead handles	5 : 1 : 36
B9878	Sandringham 21 wash shower mixer 2 hole with Armaglide 2 shower set, crosshead handles	5 : 1 : 37
B9881	Sandringham 21 washbasin pillar taps, lever handles	5 : 1 : 38
B9882	Sandringham 21 bath pillar taps, lever handles	5 : 1 : 38
B9883	Sandringham 21 bath filler 2 hole, lever handles	5 : 1 : 39
B9884	Sandringham 21 bath shower mixer 2 hole with Armaglide 2 shower set, lever handles	5 : 1 : 39
B9908	Fixed height handspray holder	5 : 1 : 37
E0060	Support frame with bolts for wall hung pans	2 : 4 : 5
E0062	Basin fixing set for panels or block walls	13 : 1 : 21
E0079	Trap 1¼" contemporary metal bottle	3 : 6 : 2
E0157	Wall fixing set	3 : 1 : 5
E1316	Sandringham 21 seat and cover	2 : 1 : 6
E1317	Sandringham 21 seat and cover, metal hinges	2 : 1 : 6
E1319	Sandringham 21 seat no cover, metal hinges	2 : 1 : 6
E2985	Sandringham 21 seat and cover, slow close	2 : 2 : 10
E3198	Trap 1¼" metal bottle, 75mm seal	3 : 6 : 2
E3221	Panekta outlet connector, finned pattern to convert horizontal outlet WCs to S or turned P trap	2 : 2 : 10
E3222	Panekta outlet connector, finned pattern to convert horizontal outlet WCs to P trap	2 : 2 : 10
E4397AA	Contemporary flush plate dual flush, Armitage Shanks logo for Conceala 2 cisterns	2 : 2 : 9
E4437	Contemporary flush plate dual flush, Ideal Standard logo for Conceala 2 cisterns	2 : 6 : 12
E4463	Karisma flush plate dual flush, unbranded	2 : 6 : 13
E4465	Karisma flush plate dual flush, branded for Conceala 2 cisterns	2 : 6 : 13
E4745	Shower hose, 1.35m long	11 : 4 : 3
E5010	Pair Steel wall hangers	3 : 5 : 5
E5701	Profile 21 rimmed back inlet urinal bowl	8 : 1 : 8
E5703	Profile 21 65cm waterless urinal bowl, concealed waste with Aquanil technology	8 : 1 : 7
E5704	Profile 21 urinal bowl for spreader, top or back inlet	8 : 1 : 6
E6227	Urinal syphon connector with 75mm water seal, and 40mm outlet	8 : 1 : 8
E6760	Waste 1¼" brass waste with chain and plug, 80mm slotted tail, bolt stay	3 : 6 : 3
E8004	Concept bidet back-to-wall 1 taphole, no overflow	13 : 1 : 40
E8221	Sandringham 21 Smooth close coupled WC pan with horizontal outlet	2 : 1 : 9
E8761	Sandringham 21 low level cistern 6/4 litre dual flush valve, bottom supply and internal overflow	2 : 3 : 2
E8763	Sandringham 21 close coupled cistern 6 or 4 litre single flush syphon bottom supply and internal overflow	2 : 1 : 7
E8834	Sandringham 21 raised height close coupled WC - horizontal outlet	2 : 1 : 8
E8928	Sandringham 21 35cm handrinse washbasin, right hand taphole, with overflow no chainstay hole	3 : 5 : 5
E8929	Sandringham 21 35cm handrinse washbasin, left hand taphole, with overflow no chainstay hole	3 : 5 : 5
E8930	Sandringham 21 35cm handrinse washbasin, 2 taphole, with overflow and chainstay hole	3 : 5 : 5
E8935	Sandringham 21 45cm handrinse washbasin, 1 taphole, with overflow no chainstay hole	3 : 5 : 6
E8936	Sandringham 21 45cm handrinse washbasin, 2 tapholes, with overflow and chainstay hole	3 : 5 : 6
E8941	Sandringham 21 48cm corner washbasin, 1 taphole with overflow	3 : 5 : 7
E8942	Sandringham 21 48cm corner handrinse basin, 2 tapholes with overflow and chainstay hole	3 : 5 : 7
E8945	Sandringham 21 50cm washbasin, 1 taphole, with overflow no chainstay hole	3 : 1 : 15
E8946	Sandringham 21 50cm washbasin, 2 taphole, with overflow and chainstay hole	3 : 1 : 15
E8949	Sandringham 21 55cm washbasin, 1 taphole, with overflow no chainstay hole	3 : 1 : 15
E8951	Sandringham 21 55cm washbasin, 2 tapholes, with overflow and chainstay hole	3 : 1 : 15
E8952	Sandringham 21 50cm countertop washbasin, 1 taphole with overflow, no chainstay hole	3 : 3 : 5
E8953	Sandringham 21 50cm countertop washbasin, 2 tapholes with overflow and chainstay hole	3 : 3 : 5
E8954	Sandringham 21 50cm countertop washbasin, 2 tapholes with overflow no chainstay hole	3 : 3 : 5
E8958	Sandringham 21 50cm semi-countertop washbasin, 1 taphole with overflow no chainstay hole	3 : 2 : 4
E8959	Sandringham 21 50cm semi-countertop washbasin, 2 tapholes with overflow and chainstay hole	3 : 2 : 4
E8961	Sandringham 21 50cm semi-countertop washbasin, 2 tapholes with overflow no chainstay hole	3 : 2 : 4
E8962	Sandringham 21 55cm washbasin, 1 taphole, with overflow and chainstay hole	3 : 1 : 15

Product Code	Product Description	Page
E8963	Sandringham 21 WC pan with horizontal outlet	2 : 1 : 6
E8966	Sandringham 21 Close Coupled 6/4 litre dual flush valve, bottom supply and internal overflow	2 : 1 : 6
E8967	Sandringham 21 Close Coupled 4/2.6 litre dual flush valve, bottom supply and internal overflow	2 : 1 : 6
E8968	Sandringham 21 close coupled cistern 6 or 4 litre single flush syphon bottom supply and internal overflow	2 : 1 : 7
E8969	Sandringham 21 low level cistern 6 litre single flush syphon bottom supply and internal overflow	2 : 3 : 2
E8972	Sandringham 21 low level cistern 6 litre single flush syphon side supply and internal overflow	2 : 3 : 2
E8974	Sandringham 21 back to wall WC pan with horizontal outlet	2 : 2 : 10
E8976	Sandringham 21 full pedestal	3 : 1 : 15
E8987	Sandringham 6 litre single flush bottom supply cistern to achieve 750mm projection	2 : 1 : 8
E8998	Sandringham 21 Smooth Close coupled 6/4 litre dual flush valve, bottom supply and internal overflow	2 : 1 : 9
E8999	Sandringham 21 Smooth close coupled 4/2.6 litre dual flush valve, bottom supply and internal overflow	2 : 1 : 9
E9002	Sandringham 21 close coupled cistern with spatula lever 6 or 4 litre single flush syphon bottom supply	2 : 1 : 7
E9324	In-wall system for WC, 1100mm high, mechanical front operation flushplate	2 : 6 : 16
E9325	In-wall system for WC, 880mm high, mechanical top or front operation flushplate	2 : 6 : 18
E9326	In-wall system for WC, 820mm high, mechanical top or front operation flushplate	2 : 6 : 20
E9327	In-wall system for WC, 1100mm high, pneumatic front operation flushplate	2 : 6 : 17
E9328	In-wall system for WC, 880mm high, pneumatic top or front operation flushplate	2 : 6 : 19
E9329	In-wall system for WC, 820mm high, pneumatic top or front operation flushplate	2 : 6 : 21
EEM134901	Hose bracket chrome	11 : 4 : 3
F960847	BioGuard outlet (retro-fit)	5 : 1 : 23
F960970	Remote Control Programmer	5 : 1 : 53
K7106	Urinal Connecting set	8 : 1 : 8
L6919	Lever operated shower diverter	11 : 4 : 3
L6935	Flow regulator, washbasin inlet, 4 litres per minute, pair	3 : 6 : 2
N1314	Concept toilet roll holder	11 : 2 : 7
S0043	Contour HygenIQ 67cm waterless urinal bowl, concealed waste with Aquanil technology	8 : 1 : 5
S0044	Sanura HygenIQ 50cm waterless urinal bowl, concealed waste with Aquanil technology	8 : 1 : 13
S0045	Sanura HygenIQ 40cm waterless urinal bowl, concealed waste with Aquanil technology	8 : 1 : 13
S0226	Sandringham Select sink pack, inset stainless steel single bowl and drainer	9 : 2 : 2
S0227	Sandringham Select sink pack, inset stainless steel 1.5 bowl and drainer	9 : 2 : 3
S0228	Sandringham Select sink pack, inset stainless steel single bowl and drainer	9 : 2 : 2
S0229	Sandringham Select sink pack, inset stainless steel 1.5 bowl and drainer	9 : 2 : 3
S0384	Calder stainless steel washing trough 300cm long, 5 taphole positions, central outlet with 2" domed waste	4 : 2 : 2
S0386	Contour 21+ waste pack with SmartGuard for wall mounted basin	3 : 1 : 2
S0387	Contour 21+ waste pack with SmartGuard for tap deck basin	3 : 1 : 3
S0388	Contour 21+ basin fixation set	3 : 1 : 3
S0430	Contour 21+ 50cm back outlet washbasin, no tapholes, no overflow with anti-splash and anti-microbial glaze	3 : 1 : 2
S0431	Contour 21+ 50cm back outlet washbasin, one left hand taphole, no overflow with anti-microbial glaze	3 : 1 : 3
S0432	Contour 21+ 50cm back outlet washbasin, one right hand taphole, no overflow with anti-microbial glaze	3 : 1 : 3
S0433	Contour 21+ 40cm back outlet washbasin, one left hand taphole, no overflow with anti-microbial glaze	3 : 5 : 3
S0435	Contour 21+ 40cm back outlet washbasin, one right hand taphole, no overflow with anti-microbial glaze	3 : 5 : 3
S0436	Contour 21 Splash 40cm semi-countertop washbasin, one taphole with overflow	3 : 2 : 2
S0437	Contour 21+ 70cm projection back to wall rimless WC pan with horizontal outlet and anti-microbial glaze	2 : 2 : 5
S0438	Contour 21+ 75cm projection back to wall rimless WC pan with horizontal outlet and anti-microbial glaze	2 : 2 : 4
S0439	Contour 21+ back to wall rimless WC pan with raised horizontal outlet and anti-microbial glaze	2 : 2 : 2
S0440	Contour 21+ raised height back to wall rimless WC pan with raised horizontal outlet and anti-microbial glaze	2 : 2 : 3
S0441	Contour 21+ rimless, wall mounted WC pan with horizontal outlet, 70cm projection, anti-microbial glaze	2 : 4 : 4
S0442	Contour 21+ 75cm projection wall mounted rimless WC pan with horizontal outlet, anti-microbial glaze	2 : 4 : 3
S0443	Contour 21+ wall mounted rimless WC pan with horizontal outlet anti-microbial glaze	2 : 4 : 2
S0444	Contour 21+ 60cm back outlet washbasin, no tapholes, no overflow with anti-splash and anti-microbial glaze	3 : 1 : 2
S0625	Silhouette 1200mm 2 person washtrough with waste	4 : 1 : 3
S0626	Silhouette 1800mm 3 person washtrough with waste	4 : 1 : 3
S0627	Silhouette 2400mm 4 person washtrough with waste	4 : 1 : 3
S0628	Silhouette 3000mm 5 person washtrough with waste	4 : 1 : 3
S0629	Silhouette 1200-1500mm configurable wash trough with waste	4 : 1 : 4
S0630	Silhouette 1501-1800mm configurable wash trough with waste	4 : 1 : 5
S0631	Silhouette 1801-2100mm configurable wash trough with waste	4 : 1 : 5
S0632	Silhouette 2101-2400mm configurable wash trough with waste	4 : 1 : 4
S0633	Silhouette 1200mm 2 person wash trough with upstand & waste	4 : 1 : 7
S0634	Silhouette 1800mm 3 person wash trough with upstand & waste	4 : 1 : 7
S0635	Silhouette 2400mm 4 person wash trough with upstand & waste	4 : 1 : 6
S0636	Silhouette 3000mm 5 person wash trough with upstand & waste	4 : 1 : 7
S0637	Silhouette 1200-1500mm configurable wash trough with waste	4 : 1 : 8



Product Code	Product Description	Page
S0638	Silhouette 1501-1800mm configurable wash trough with upstand & waste	4 : 1 : 9
S0639	Silhouette 1801-2100mm configurable wash trough with upstand & waste	4 : 1 : 9
S0640	Silhouette 2101-2400mm configurable wash trough with upstand & waste	4 : 1 : 8
S0641	Care Plus washbasin mounting bracket, manually operated, vertical adjustment	12 : 1 : 7
S0642	Care Plus shower chair with arm supports, vertical and horizontal adjustment	12 : 1 : 11
S0643	Care Plus folding shower seat, fixed height	12 : 1 : 12
S0644	Care Plus folding shower seat, height adjustable up to 240mm	12 : 1 : 12
S0645	Care Plus folding shower seat, adjustable height and back rest	12 : 1 : 12
S0646	Care Plus Salonex washbasin mounting bracket, gas cell counter balanced with lever lock, vertical and horizontal adjustment	12 : 1 : 10
S0647	Care Plus Salonex washbasin mounting bracket, gas cell counter balanced with lever lock, vertical adjustment	12 : 1 : 8
S0649	Care Plus flexible 70cm feed and 70cm waste system for vertical adjustment only	12 : 1 : 7
S0650	Care Plus flexible 120cm feed and 150cm waste system for sideways adjustment	12 : 1 : 9
S0651	Care Plus washbasin mounting bracket, electrically operated by lever, vertical adjustment	12 : 1 : 7
S0652	Care Plus washbasin mounting bracket, gas cell counter balanced with lever lock, vertical adjustment	12 : 1 : 7
S0653	Care Plus washbasin mounting bracket, manually operated, vertical and horizontal adjustment	12 : 1 : 9
S0654	Care Plus washbasin mounting electrically operated by lever, vertical and horizontal adjustment	12 : 1 : 9
S0655	Care Plus washbasin mounting bracket, gas cell counter balanced with lever lock, vertical and horizontal adjustment	12 : 1 : 9
S0656	Care Plus track 60cm length	12 : 1 : 9
S0657	Care Plus track 90cm length	12 : 1 : 9
S0658	Care Plus track 120cm length	12 : 1 : 9
S0659	Track stop	12 : 1 : 9
S0660	Silhouette 2401-3000mm configurable washtrough with waste	4 : 1 : 5
S0661	Silhouette 2401-3000mm configurable washtrough with upstand & waste	4 : 1 : 9
S0670	Contour 21+ slow close seat and cover with top fix hinges	2 : 7 : 2
S0672	Sandringham 21 self closing pillar taps	5 : 1 : 31
S0673	Sandringham 21 self closing pillar tap	5 : 1 : 31
S0679	Contour 21+ 40cm back outlet washbasin, no tapholes, no overflow, with anti-microbial glaze	3 : 5 : 3
S0681	Doc M Contour 21+ Ambulant care WC pack	11 : 3 : 2
S0682	Doc M Contour 21+ peninsular care pack	11 : 2 : 12
S0683	Doc M Contour 21+ close coupled left hand corner pack	11 : 2 : 2
S0684	Doc M Contour 21+ close coupled right hand corner pack	11 : 2 : 2
S0685	Doc M Contour 21+ back to wall left hand corner pack	11 : 2 : 4
S0686	Doc M Contour 21+ back to wall right hand corner pack	11 : 2 : 4
S0687	Doc M Contour 21+ wall mounted left hand corner pack	11 : 2 : 6
S0688	Doc M Contour 21+ wall mounted right hand corner pack	11 : 2 : 6
S0689	Doc M Standard low level left hand corner pack	11 : 2 : 10
S0690	Doc M Standard low level right hand corner pack	11 : 2 : 10
S0691	Doc M Contour 21+ and Sensorflow 21 wall mounted left hand pack	11 : 2 : 8
S0692	Doc M Contour 21+ and Sensorflow 21 wall mounted right hand pack	11 : 2 : 8
S1686	Bib tap wall mounts ½" for concealed plumbing (pair)	9 : 2 : 4
S1688	Bib tap wall mounts ½" for concealed plumbing (pair)	9 : 1 : 3
S1699	Nisa Lowline 170 x 70cm steel bath, anti slip, no tap holes, no hand grips	13 : 1 : 28
S2058	Leadenhall 55cm washbasin, back outlet, no tapholes	3 : 1 : 10
S2098	Broadway washing trough 120cm long	4 : 1 : 2
S2099	Broadway washing trough 180cm long	4 : 1 : 2
S2105	Broadway washing trough 240cm long	4 : 1 : 2
S2122	Contour 21 37cm handrinse washbasin, 1 taphole, no overflow, no chainstay hole	3 : 5 : 2
S2144	Contour 21 50cm back outlet washbasin, with 150mm upstand no tapholes, no overflow, no chainstay hole	3 : 1 : 4
S2159	Portman 21 washbasin 40cm, 1 left hand taphole no overflow, no chainstay hole	13 : 1 : 21
S2164	Contour 21 55cm accessible washbasin, no tapholes with overflow	3 : 1 : 5
S2165	Contour 21 55cm accessible washbasin, 1 taphole with overflow	3 : 1 : 5
S2166	Contour 21 55cm accessible washbasin, 2 tapholes with overflow and chainstay hole	3 : 1 : 5
S2167	Contour 21 60cm accessible washbasin, no tapholes with overflow	3 : 1 : 5
S2168	Contour 21 60cm accessible washbasin, 1 taphole with overflow	3 : 1 : 5
S2169	Contour 21 60cm accessible washbasin, 2 tapholes with overflow and chainstay hole	3 : 1 : 5
S2170	Sandringham Royalex 56cm washbasin, 2 corner tapholes with overflow and chainstay hole	3 : 1 : 16
S2180	Sandringham Royalex 51cm washbasin with two corner tapholes and chainstay hole	3 : 1 : 16
S2252	Portman 21 washbasin 50cm, 1 taphole, no overflow or chainstay hole	11 : 2 : 14
S2253	Portman 21 washbasin 50cm, 2 tapholes, no overflow or chainstay hole	13 : 1 : 20
S2254	Portman 21 washbasin 50cm, 1 right hand taphole, no overflow, no chainstay hole	13 : 1 : 20
S2293	Portman 21 washbasin 60cm, 1 taphole, no overflow or chainstay hole	11 : 2 : 13
S2298	Portman 21 washbasin, 60cm, single right hand taphole, no overflow, no chainstay	13 : 1 : 20
S2300	Salonex 61cm washbasin with 2 tapholes	3 : 1 : 14

Product Code	Product Description	Page
S2308	Portman 21 washbasin 50cm, 1 left hand taphole no overflow, no chainstay hole	13 : 1 : 20
S2309	Portman 21 50cm washbasin, 2 tapholes with overflow and chainstay hole	3 : 1 : 12
S2314	Portman 21 general purpose small washbasin, 40 x 37cm, single right hand taphole, no overflow	13 : 1 : 21
S2473	Contour 21 37cm handrinse washbasin left hand taphole no overflow or chainstay hole, bottom outlet	3 : 5 : 2
S2474	Contour 21 37cm handrinse washbasin right hand taphole no overflow or chainstay hole, bottom outlet	3 : 5 : 2
S2478	Portman 21 55cm pedestal washbasin 1 taphole with overflow	3 : 1 : 11
S2479	Portman 21 55cm pedestal washbasin 2 tapholes with overflow and chainstay hole	3 : 1 : 11
S2481	Portman 21 50cm pedestal washbasin 1 taphole with overflow	3 : 1 : 11
S2482	Portman 21 50cm pedestal washbasin 2 tapholes with overflow and chainstay hole	3 : 1 : 11
S2484	Planet 21 50cm countertop washbasin 1 taphole with overflow no chainstay hole	3 : 3 : 4
S2485	Planet 21 50cm countertop washbasin 2 tapholes with overflow and chainstay hole	3 : 3 : 4
S2486	Orbit 21 55cm countertop washbasin 1 taphole with overflow	3 : 3 : 3
S2487	Orbit 21 55cm countertop washbasin 1 taphole no overflow	3 : 3 : 3
S2488	Orbit 21 55cm countertop washbasin 2 tapholes with overflow and chainstay hole	3 : 3 : 3
S2489	Orbit 21 55cm countertop washbasin 2 tapholes no overflow no chainstay hole	3 : 3 : 3
S2490	Orbit 21 55cm countertop washbasin 1 right hand taphole no overflow or chainstay hole	12 : 1 : 3
S2492	Profile 21 50cm semi-countertop washbasin, 1 taphole with overflow no chainstay hole	3 : 2 : 3
S2493	Profile 21 50cm semi-countertop washbasin 1 taphole no overflow or chainstay hole	12 : 1 : 2
S2494	Profile 21 50cm semi-countertop washbasin 2 tapholes with overflow no chainstay hole	3 : 2 : 3
S2495	Profile 21 50cm semi-countertop washbasin 2 tapholes no overflow with chainstay hole	3 : 2 : 3
S2495	Profile 21 50cm semi-countertop washbasin 2 tapholes no overflow with chainstay hole	12 : 1 : 2
S2496	Contour 21 50cm under-countertop washbasin with overflow, unglazed rim	3 : 4 : 4
S2513	Orbit 21 55cm countertop washbasin 1 taphole with overflow no chainstay hole, no logo	3 : 3 : 3
S2588	Profile 21 50cm semi-countertop washbasin 1 right hand taphole no overflow or chainstay hole	12 : 1 : 2
S2625	Denholm 2 46cm washbasin with 2 corner tapholes complete with combined chainstay overflow waste	3 : 1 : 8
S2626	Denholm 2 46cm stainless steel washbasin with right hand taphole, no overflow or chainstay hole	3 : 1 : 8
S2627	Denholm 2 46cm stainless steel washbasin with no tapholes, no overflow or chainstay hole	3 : 1 : 8
S2628	Berwick 2 47cm stainless steel self rimming countertop bowl	3 : 3 : 2
S2629	Troon 2 39cm washbasin complete with 1½" waste and fixing clips, no overflow	3 : 3 : 6
S2635	Contour 21 Splash 40cm Schools basin with overflow - one taphole	3 : 1 : 7
S2636	Contour 21 Splash 40cm Schools basin with overflow - two tapholes	3 : 1 : 7
S2684	Marlow 21 48cm under-countertop washbasin with overflow	3 : 4 : 6
S2685	Marlow 21 55cm under-countertop washbasin with overflow	3 : 4 : 6
S2687	Cherwell 21 38cm round under-countertop washbasin with overflow	3 : 4 : 2
S2688	Cherwell 21 48cm round under-countertop washbasin with overflow	3 : 4 : 2
S2689	Contour 21 42cm rectangular under-countertop washbasin with overflow	3 : 4 : 3
S2690	Contour 21 Splash 50cm Schools basin with overflow - one taphole	3 : 1 : 6
S2691	Contour 21 Splash 50cm Schools basin with overflow - two tapholes	3 : 1 : 6
S2692	Marlow 21 48cm under-countertop washbasin with overflow, glazed underside	3 : 4 : 6
S2695	Contour 21 55cm rectangular under-countertop washbasin with tap deck, 1 taphole with overflow	3 : 4 : 5
S2696	Contour 21 55cm rectangular under-countertop washbasin with tap deck, 1 taphole with overflow	3 : 4 : 5
S2697	Contour 21 55cm rectangular under-countertop washbasin one taphole with overflow	3 : 4 : 5
S2823	Calder stainless steel washing trough 120cm long for wall mounted bib taps	4 : 2 : 2
S2824	Calder stainless steel washing trough 120cm long 2 taphole positions	4 : 2 : 2
S2825	Calder stainless steel washing trough 180cm long, 3 taphole positions	4 : 2 : 2
S2826	Calder stainless steel washing trough 240cm long, 4 taphole positions	4 : 2 : 2
S2827	Calder stainless steel washing trough 180cm long for wall mounted bib taps	4 : 2 : 2
S2828	Calder stainless steel washing trough 240cm long for wall mounted bib taps	4 : 2 : 2
S2870	Firth 80cm scrub-up trough, left hand outlet strainer waste, trap cover and hangers	13 : 1 : 8
S2871	Firth 80cm scrub-up trough, left hand outlet strainer waste and hangers	13 : 1 : 8
S2872	Firth 80cm scrub-up trough, right hand outlet strainer waste, trap cover and hangers	13 : 1 : 8
S2873	Firth 160cm scrub-up trough, left hand outlet strainer waste, trap cover and hangers	13 : 1 : 8
S2874	Firth 160cm scrub-up trough, right hand outlet strainer waste, trap cover and hangers	13 : 1 : 8
S2875	Firth 160cm scrub-up trough, right hand outlet strainer waste and hangers	13 : 1 : 8
S2876	Firth 240cm scrub-up trough, left hand outlet strainer waste, trap cover and hangers	13 : 1 : 8
S2877	Firth 240cm scrub-up trough, right hand outlet strainer waste, trap cover and hangers	13 : 1 : 8
S2910	Contour 21 stainless steel semi circular 4 person trough with self closing taps	4 : 2 : 3
S2911	Contour 21 stainless steel semi circular 4 person trough with self closing taps and soap dispensers	4 : 2 : 3
S2912	Contour 21 stainless steel semi circular 4 person trough with automatic tap	4 : 2 : 3
S2913	Contour 21 stainless steel semi circular 4 person trough with automatic taps and soap dispensers	4 : 2 : 3
S2914	Contour 21 stainless steel circular 6 person trough with self closing taps	4 : 2 : 4
S2915	Contour 21 stainless steel circular 6 person trough with self closing taps and soap dispensers	4 : 2 : 4
S2916	Contour 21 stainless steel circular 6 person trough with automatic taps	4 : 2 : 4

Product Code	Product Description	Page
S2917	Contour 21 stainless steel circular 6 person trough with automatic taps and soap dispensers	4 : 2 : 4
S2918	Contour 21 stainless steel circular 8 person trough with self closing tap	4 : 2 : 5
S2919	Contour 21 stainless steel circular 8 person trough with self closing taps and soap dispensers	4 : 2 : 5
S2923	Contour 21 stainless steel circular 8 person trough with automatic taps	4 : 2 : 5
S2926	Contour 21 stainless steel circular 8 person trough with automatic taps and soap dispensers	4 : 2 : 5
S2955	Ova Pedestal	3 : 1 : 16
S2985	Sandringham 21 seat and cover slow close	2 : 1 : 7
S2989	Portman 21 full pedestal	3 : 1 : 11
S2991	Portman 21 semi-pedestal	3 : 1 : 11
S2992	Denholm 2 washbasin shroud stainless steel for surface fixing with access panel	3 : 1 : 9
S2993	Shroud for duct fixing	3 : 1 : 9
S2994	Contour 21 Splash semi pedestal for 50cm basins	3 : 1 : 6
S3054	Contour 21 raised height close coupled WC pan, 75cm projection with horizontal outlet	2 : 1 : 2
S3092	Profile 21 WC pan close coupled with horizontal outlet	2 : 1 : 5
S3093	Profile 21 close coupled cistern, 6/4 litre dual flush push button valve bottom supply and internal overflow	2 : 1 : 5
S3094	Profile 21 close coupled cistern 4/2.6 litre dual flush push button valve, bottom supply and internal overflow	2 : 1 : 5
S3095	Profile 21 WC pan back-to-wall horizontal outlet	2 : 2 : 9
S3122	Contour 21 Splash 305mm back-to-wall rimless bowl	2 : 1 : 3
S3125	Contour 21 Splash 355mm back-to-wall rimless bowl	2 : 1 : 4
S3127	Contour 21 Splash 355mm wall mounted rimless bowl	2 : 4 : 5
S3260	Contour 21 Splash schools close coupled cistern for 305 / 355 bowls 4/2.6, 6/4 litre - dual flush lever	2 : 1 : 4
S3261	Contour 21 Splash schools close coupled cistern for 305 / 355 bowls, 4/2.6, 6/4 litre - dual push button	2 : 1 : 3
S3302	Sentry 21 back-to-wall WC pan with horizontal outlet, cistern and wave-on control	2 : 2 : 11
S3303	Sentry 21 back-to-wall WC pan with horizontal outlet, cistern and tactile controls	2 : 2 : 11
S3320	Sentry 21 back to wall WC pan with horizontal outlet	2 : 2 : 11
S3442	Perth 2 back inlet WC pan with horizontal outlet with black seat and cover	2 : 2 : 8
S3443	Perth 2 back-to-wall WC pan with horizontal outlet, no seat holes	2 : 2 : 8
S3510	Sandringham 21 washdown low level WC pan with horizontal outlet	2 : 3 : 2
S3584	P trap outlet, plastic for slop hoppers	13 : 1 : 2
S3585	S trap outlet, plastic for slop hoppers	13 : 1 : 2
S3589	Sensorflow 21 WC flushing device, panel mounted sensor	2 : 5 : 6
S3599	Sensorflow 21 WC flushing device, panel mounted sensor	2 : 5 : 6
S3604	Sensorflow 21 WC flushing device, panel mounted sensor	2 : 5 : 6
S3617	Conceala 2 cistern 6 or 4.5 litre single flush syphon side supply and internal overflow	2 : 5 : 4
S3620	Conceala 2 cistern 4.5 or 6 litre single flush syphon side supply and internal overflow	2 : 4 : 5
S3621	Conceala 2 cistern delay fill 4.5 litre single flush syphon low level bottom supply and internal overflow	2 : 5 : 4
S3622	Conceala 2 cistern 6 litre single flush valve side supply and internal overflow	2 : 5 : 3
S3623	Conceala 2 cistern 6 litre single flush valve bottom supply and internal overflow	2 : 2 : 8
S3624	Conceala 2 cistern 6/4 litre dual flush top inlet and internal overflow	2 : 5 : 2
S3625	Conceala 2 cistern 4/6 litre dual flush valve bottom supply and internal overflow	2 : 2 : 8
S3626	Conceala 2 cistern 6 litre single flush syphon high level side supply and internal overflow	2 : 5 : 5
S3640	Conceala 2 cistern 4.5 or 4 litre single flush valve side supply and internal overflow	2 : 5 : 3
S3643	Conceala 2 cistern 4.5/3 or 4/2.6 litre dual flush valve side supply and internal overflow	2 : 5 : 2
S3654	Contour 21 close coupled delay fill, syphon cistern 4.5 litre single flush with bottom supply and internal overflow	2 : 1 : 2
S3900	Group low level cistern 6 litre single flush syphon side supply and internal overflow	11 : 2 : 11
S3955	Clena cistern 6 litre single flush syphon, high level, side supply and internal overflow	13 : 1 : 3
S4055	Gemini seat and cover	2 : 3 : 2
S4063	Bakasan seat no cover with stainless steel rod and metal top fix hinges	2 : 1 : 8
S4065	Contour 21 seat and cover, top fixing hinges	2 : 7 : 2
S4066	Contour 21 seat no cover, top fixing hinges and retaining buffers	2 : 7 : 2
S4067	Contour 21 seat retaining buffers, white	2 : 1 : 2
S4102	Profile 21 seat and cover, slow close	2 : 1 : 5
S4103	Profile 21 seat and cover	2 : 1 : 5
S4270	Conceala 2 cistern 4.5 litre single flush valve delay fill bottom supply and internal overflow	2 : 2 : 10
S4300	Panekta outlet connector, finned pattern to convert horizontal outlet WCs to S or turned P trap	2 : 6 : 15
S4302	Contour 21 flushpipe constructed, necessary for installation	2 : 2 : 4
S4303	Contour 21 outlet extension connector for 70/75cm WC pan outlet	2 : 6 : 14
S4305	Panekta outlet connector, finned pattern to convert horizontal outlet WCs to S or turned P trap	2 : 6 : 15
S4310	Panekta outlet Connector, plain pattern to convert horizontal outlet WCs to S or turned P trap	2 : 6 : 15
S4320	Panekta outlet connector, finned pattern, straight	2 : 6 : 14
S4325	Panekta outlet connector, finned pattern, straight	2 : 6 : 14
S4326	Panekta outlet connector, finned pattern, offset	2 : 6 : 14
S4397	Contemporary flush plate dual flush, Armitage Shanks logo for Conceala 2 cisterns	2 : 6 : 12

Product Code	Product Description	Page
S4399	Contemporary flush plate dual flush, unbranded for Conceala 2 cisterns	2 : 6 : 12
S4420	Spatula cistern lever	2 : 1 : 2
S4445	Finger push button non-projecting, stainless steel vandal resistant pattern	2 : 2 : 11
S4450	Palm push button mechanism for high level concealed cistern for 150mm maximum wall thickness	2 : 6 : 11
S4452	Palm push button mechanism for low level concealed cistern for 150mm maximum wall thickness	2 : 6 : 11
S4453	Palm push button mechanism for low level concealed cistern for 400mm maximum wall thickness	2 : 6 : 11
S4454	Finger push button mechanism for high level concealed cistern, for 150mm maximum wall thickness	2 : 6 : 11
S4456	Finger push button mechanism for low level concealed cistern, for 150mm maximum wall thickness	2 : 6 : 11
S4457	Finger push button mechanism for low level concealed cistern, for 400mm maximum wall thickness	2 : 2 : 11
S4463	Palm push button pneumatic, plastic for 31mm thickness partition	2 : 6 : 9
S4464	Finger push button pneumatic, plastic for 31mm maximum thickness partition	2 : 6 : 9
S4489	Finger push button pneumatic, stainless steel body for 400mm maximum wall thickness	2 : 6 : 10
S4491AA	Concept 2 lever 250mm	2 : 5 : 4
S4492AA	Concept 2 lever 400mm external	2 : 5 : 4
S4503	Contemporary flush plate dual flush, stainless steel unbranded for Conceala 2 cisterns	2 : 6 : 12
S4504	Contemporary flush plate dual flush, Armitage Shanks logo, stainless steel for Conceala 2 cisterns	2 : 6 : 12
S4505	Simpla Inlet Connector	2 : 6 : 14
S4512	Finger push button pneumatic, stainless steel for 31mm maximum thickness partition	2 : 6 : 9
S4513	Palm push button Pneumatic, stainless steel for 31mm maximum thickness partition	2 : 6 : 9
S4516	Lever flushing spatula for Conceala cistern	11 : 2 : 5
S4533	Contour 21 Splash seat and cover for 305mm bowls	2 : 7 : 3
S4536	Contour 21 Splash seat and cover for 355mm bowls	2 : 7 : 3
S4542	Contour 21 Splash seat ring only for 305mm bowl	2 : 7 : 3
S4545	Contour 21 Splash seat ring only for 355mm bowls	2 : 7 : 3
S4590	Cistern Conversion Kit - To 9 litre Flush	13 : 1 : 3
S4601	Flushpipe telescopic, 1675mm and clip to suit Clena cistern and back inlet WC	2 : 6 : 15
S4602	Flushpipe telescopic, 1675mm to suit Conceala cistern and back inlet WC	2 : 6 : 15
S4658	Plastic one piece offset flushbend for Doc M Standard WC for use with spacer box	11 : 2 : 11
S4662	Plastic flushpipe for top inlet slop hopper	13 : 1 : 3
S4663	Flushpipe 850 x 35mm diameter for slop hopper	13 : 1 : 2
S5093	Clothes hook screw to wall, plastic	11 : 3 : 3
S5375	Spacer box, laminate faced unit with access panel for Ventura	11 : 2 : 11
S5449	Purita drinking fountain complete with self closing non-concussive valve with push button operation	10 : 1 : 3
S5450	Purita drinking fountain with wall fixed, floor standing pedestal 900mm high for adult use	10 : 1 : 2
S5451	Purita drinking fountain with wall fixed, floor standing pedestal 700mm high for junior use	10 : 1 : 2
S5452	Purita drinking fountain with wall fixed, floor standing pedestal 900mm high for adult use	10 : 1 : 2
S5803	Belfast 60cm sink (boxed)	9 : 1 : 2
S5827	Belfast 60cm sink (unboxed)	9 : 1 : 4
S5835	Belfast drainer plain 61 x 46cm reversible for 61 x 46cm sink	9 : 1 : 4
S5900	Alder sink 51cm high back and fitted stainless steel bucket grating	9 : 1 : 3
S5912	Angus sink, 44cm with 28cm high back, 1½" integral strainer waste and Stainless Steel bucket grating	9 : 2 : 4
S5915	Birch cleaner's sink 46cm with fitted bucket grating	9 : 1 : 5
S5920	Birch cleaner's sink 51cm with fitted bucket grating	9 : 1 : 5
S5926	(ST A) Doon sink, single bowl right hand drainer 120 x 60cm, 2 tapholes at 200mm centres, no overflow	13 : 1 : 11
S5931	Sandringham Select sink, inset stainless steel single bowl complete with ½" basket strainer waste	9 : 2 : 2
S5932	Sandringham Select sink, inset stainless steel 1.5 bowl complete with ½" basket strainer waste	9 : 2 : 3
S5985	Doon sink, single bowl right hand drainer 120 x 60cm, no tapholes, no overflow	13 : 1 : 11
S5986	Doon sink, single bowl left hand drainer 120 x 60cm, 2 tapholes at 200mm centres, no overflow	13 : 1 : 11
S5987	Doon sink, single bowl left hand drainer 120 x 60cm, no tapholes, no overflow	13 : 1 : 11
S5988	(ST A) Doon sink, single bowl right hand drainer 120 x 65cm, 2 tapholes at 200mm centres, no overflow	13 : 1 : 11
S5989	Doon sink, single bowl right hand drainer 120 x 65cm, no tapholes, no overflow	13 : 1 : 11
S5990	(ST A) Doon sink, single bowl left hand drainer 120 x 65cm, 2 tapholes at 200mm centres, no overflow	13 : 1 : 11
S5991	Doon sink, single bowl left hand drainer 120 x 65cm, no tapholes, no overflow	13 : 1 : 11
S5992	(ST B) Doon sink, double drainer 180 x 60cm, 2 tapholes at 200mm centres, no overflow	13 : 1 : 12
S5993	(ST B) Doon sink, single bowl double drainer 180 x 60cm, no tapholes, no overflow	13 : 1 : 12
S5994	(ST B) Doon sink, double drainer 180 x 65cm with 2 tapholes at 200mm centres, no overflow HMT63 profile	13 : 1 : 12
S5995	Doon sink, double bowl right hand drainer 180 x 60cm, no tapholes, no overflow	13 : 1 : 13
S5996	Doon sink, double bowl left hand drainer 180 x 60cm, 2 tapholes at 200mm centres for each bowl, no overflow	13 : 1 : 13
S5997	Doon sink, double bowl left hand drainer 180 x 60cm, no tapholes no overflow	13 : 1 : 13
S5998	Doon sink, double bowl left hand drainer 180 x 65cm, 2 tapholes at 200mm centres for each bowl, no overflow	13 : 1 : 13
S5999	Doon sink, single bowl 60 x 60cm, 2 tapholes	13 : 1 : 14
S6000	Doon sink, single bowl 60 x 60cm, no tapholes, no overflow	13 : 1 : 14
S6001	Doon sink, single bowl 60 x 65cm, 2 tapholes	13 : 1 : 14



Product Code	Product Description	Page
S6006	Stewart inset sink stainless steel single bowl no overflow and right hand drainer 940 x 485mm, 2 tapholes	9 : 2 : 6
S6100	Sanura 50cm urinal bowl	8 : 1 : 11
S6103	Sandringham wall bowl urinal	8 : 1 : 10
S6105	Sanura 40cm wall urinal	8 : 1 : 11
S6110	Contour urinal in vitreous china, 67cm, concealed	8 : 1 : 3
S6117	Sanura HygenIQ 40cm wall urinal	8 : 1 : 12
S6118	Sanura HygenIQ 50cm wall urinal	8 : 1 : 12
S6119	Contour HygenIQ urinal 67cm, concealed	8 : 1 : 4
S6120	Urinal division Vitreous China with hanger and screw	8 : 1 : 13
S6200	Mura 4.5 litre auto cistern with auto syphon, petcock and supports	8 : 3 : 4
S6201	Mura 9.0 litre auto cistern with auto syphon, petcock and supports	8 : 3 : 4
S6202	Mura 13.6 litre auto cistern with auto syphon, petcock and supports	8 : 3 : 4
S6210	Regal 4.5 litre auto cistern and cover, auto syphon and petcock	8 : 3 : 4
S6211	Regal 9.0 litre auto cistern and cover, auto syphon and petcock	8 : 3 : 4
S6212	Regal 13.6 litre auto cistern and cover, auto syphon and petcock	8 : 3 : 4
S6215	Conceala auto cistern 4.5 litre with cover, auto syphon and petcock	8 : 3 : 3
S6215	Conceala auto cistern 4.5 litre with cover, auto syphon and petcock	11 : 5 : 2
S6216	Conceala auto cistern 9.0 litre with cover, auto syphon and petcock	8 : 3 : 3
S6217	Conceala auto cistern 13.6 litre with cover auto syphon and petcock	8 : 3 : 3
S6226	Flushpipes concealed for 1 bowl urinal	11 : 5 : 2
S6265	Spreader, back inlet Sandringham	8 : 1 : 10
S6266	Spreader, top inlet Sandringham	8 : 1 : 10
S6282	Waterless urinal cartridge - single	8 : 1 : 2
S6283	Waterless urinal cartridge - box of 32	8 : 1 : 2
S6285	Spreader top inlet for Vitreous China bowl urinal, exposed	8 : 1 : 11
S6286	Spreader, back inlet for vitreous china urinal	8 : 1 : 3
S6321	Aridian vitreous china waterless bowl urinal, shrouded outlet, renewable cartridge with outlet adapter	8 : 1 : 2
S6360	Contour 21 hinged support rail 80 x 35mm diameter, Doc M Compliant	11 : 2 : 3
S636036	80cm projection hinged support arm Doc M compliant - blue	12 : 2 : 5
S6360AC	80cm projection hinged support arm, Doc M compliant - white	12 : 2 : 5
S6360LJ	80cm projection hinged support arm Doc M compliant - grey	12 : 2 : 5
S6360MY	80cm projection hinged support arm Doc M compliant - stainless steel	12 : 2 : 5
S6360RN	80cm projection hinged support arm Doc M compliant - charcoal	12 : 2 : 5
S636136	65cm projection hinged support arm NHS compliant - blue	12 : 2 : 5
S6361AC	65cm projection hinged support arm NHS compliant - white	12 : 2 : 5
S6361LJ	65cm projection hinged support arm NHS compliant - grey	12 : 2 : 5
S6361MY	65cm projection hinged support arm NHS compliant - stainless steel	12 : 2 : 5
S6361RN	65cm projection hinged support arm NHS compliant - charcoal	12 : 2 : 5
S6362	Contemporary 21 hinged support rail, 80cm Doc M Compliant	11 : 2 : 7
S6362AA	80cm hinged support arm - chrome plated	12 : 2 : 7
S6362MY	80cm hinged support arm - stainless steel	12 : 2 : 7
S6363	Toilet roll holder for Contour 21 hinged arm rail	11 : 2 : 3
S636336	Toilet roll holder for hinged support arm - blue	12 : 2 : 6
S6363AC	Toilet roll holder for hinged support arm - white	12 : 2 : 6
S6363LJ	Toilet roll holder for hinged support arm - grey	12 : 2 : 6
S6363MY	Toilet roll holder for hinged support arm - stainless steel	12 : 2 : 6
S6363RN	Toilet roll holder for hinged support arm - charcoal	12 : 2 : 6
S6380	Deveron urinal with back inlet spreaders or exposed sparge pipes with downpipe as required, 120cm	8 : 2 : 2
S6381	Deveron urinal with back inlet spreaders or exposed sparge pipes with downpipe as required, up to 180cm	8 : 2 : 2
S6382	Deveron urinal with back inlet spreaders or exposed sparge pipes with downpipe as required, up to 240cm	8 : 2 : 2
S6383	Deveron urinal with back inlet spreaders or exposed sparge pipes with downpipe as required, up to 305cm	8 : 2 : 2
S6384	Kinloch urinal to special length, up to 120cm long complete with 2" domed strainer waste, central outlet	8 : 2 : 3
S6385	Kinloch urinal to special length, up to 180cm long complete with 2" domed strainer waste, central outlet	8 : 2 : 3
S6386	Kinloch urinal to special length, up to 240cm long complete with 2" domed strainer waste, central outlet	8 : 2 : 3
S6387	Kinloch urinal to special length, up to 305cm long complete with 2" domed strainer waste, central outlet	8 : 2 : 3
S6388	Kinloch urinal 120cm long complete with 2" domed strainer waste, central outlet	8 : 2 : 3
S6389	Kinloch urinal 180cm long complete with 2" domed strainer waste, centre outlet	8 : 2 : 3
S6390	Kinloch urinal 240cm long complete with 2" domed strainer waste, centre outlet	8 : 2 : 3
S6399	Tay wall urinal complete with back inlet spreader, waste, trap and screw to wall fixing	8 : 1 : 9
S645036	30cm straight grab rail - blue	12 : 2 : 2
S6450AC	30cm straight grab rail - white	12 : 2 : 2
S6450LJ	30cm straight grab rail - grey	12 : 2 : 2
S6450MY	30cm straight grab rail - stainless steel	12 : 2 : 2

Product Code	Product Description	Page
S6450RN	30cm straight grab rail - charcoal	12 : 2 : 2
S6452	Contour 21 grab rail straight 45cm long x 35mm diameter	11 : 2 : 3
S645236	45cm straight grab rail - blue	12 : 2 : 2
S6452AC	45cm straight grab rail - white	12 : 2 : 2
S6452LJ	45cm straight grab rail - grey	12 : 2 : 2
S6452MY	45cm straight grab rail - stainless steel	12 : 2 : 2
S6452RN	45cm straight grab rail - charcoal	12 : 2 : 2
S645336	50cm straight grab rail - blue	12 : 2 : 2
S6453AC	50cm straight grab rail - white	12 : 2 : 2
S6453LJ	50cm straight grab rail - grey	12 : 2 : 2
S6453MY	50cm straight grab rail - stainless steel	12 : 2 : 2
S6453RN	50cm straight grab rail - charcoal	12 : 2 : 2
S6454	Contour 21 grab rail straight 60cm long x 35mm diameter	11 : 2 : 3
S645436	60cm straight grab rail - blue	12 : 2 : 2
S6454AC	60cm straight grab rail - white	12 : 2 : 2
S6454LJ	60cm straight grab rail - grey	12 : 2 : 2
S6454MY	60cm straight grab rail - stainless steel	12 : 2 : 2
S6454RN	60cm straight grab rail - charcoal	12 : 2 : 2
S645536	70cm straight grab rail - blue	12 : 2 : 3
S6455AC	70cm straight grab rail - white	12 : 2 : 3
S6455LJ	70cm straight grab rail - grey	12 : 2 : 3
S6455MY	70cm straight grab rail - stainless steel	12 : 2 : 3
S6455RN	70cm straight grab rail - charcoal	12 : 2 : 3
S645736	80cm straight grab rail - blue	12 : 2 : 3
S6457AC	80cm straight grab rail - white	12 : 2 : 3
S6457LJ	80cm straight grab rail - grey	12 : 2 : 3
S6457MY	80cm straight grab rail - stainless steel	12 : 2 : 3
S6457RN	80cm straight grab rail - charcoal	12 : 2 : 3
S645836	90cm straight grab rail - blue	12 : 2 : 3
S6458AC	90cm straight grab rail - white	12 : 2 : 3
S6458LJ	90cm straight grab rail - grey	12 : 2 : 3
S6458MY	90cm straight grab rail - stainless steel	12 : 2 : 3
S6458RN	90cm straight grab rail - charcoal	12 : 2 : 3
S645936	100cm straight grab rail - blue	12 : 2 : 3
S6459AC	100cm straight grab rail - white	12 : 2 : 3
S6459LJ	100cm straight grab rail - grey	12 : 2 : 3
S6459MY	100cm straight grab rail - stainless steel	12 : 2 : 3
S6459RN	100cm straight grab rail - charcoal	12 : 2 : 3
S646036	110cm straight grab rail - blue	12 : 2 : 4
S6460AC	110cm straight grab rail - white	12 : 2 : 4
S6460LJ	110cm straight grab rail - grey	12 : 2 : 4
S6460MY	110cm straight grab rail - stainless steel	12 : 2 : 4
S6460RN	110cm straight grab rail - charcoal	12 : 2 : 4
S6466	Contour 21 back support rail for 75cm projection WC	13 : 1 : 27
S646636	40 x 22cm back rest without cushion - blue	12 : 2 : 4
S6466AC	40 x 22cm back rest without cushion - white	12 : 2 : 4
S6466LJ	40 x 22cm back rest without cushion - grey	12 : 2 : 4
S6466MY	40 x 22cm back rest without cushion - stainless steel	12 : 2 : 4
S6466RN	40 x 22cm back rest without cushion - charcoal	12 : 2 : 4
S647236	45 x 45cm cranked grab rail - blue	12 : 2 : 6
S6472AC	45 x 45cm cranked grab rail - white	12 : 2 : 6
S6472LJ	45 x 45cm cranked grab rail - grey	12 : 2 : 6
S6472MY	45 x 45cm cranked grab rail - stainless steel	12 : 2 : 6
S647336	90 x 40cm angled shower grab rail - right hand - blue	12 : 2 : 6
S6473AC	90 x 40cm angled shower grab rail - right hand - white	12 : 2 : 6
S6473LJ	90 x 40cm angled shower grab rail - right hand - grey	12 : 2 : 6
S6473MY	90 x 40cm angled shower grab rail - right hand - stainless steel	12 : 2 : 6
S6473RN	90 x 40cm angled shower grab rail - right hand - charcoal	12 : 2 : 6
S647436	90 x 40cm angled shower grab rail - left hand - blue	12 : 2 : 7
S6474AC	90 x 40cm angled shower grab rail - left hand - white	12 : 2 : 7
S6474LJ	90 x 40cm angled shower grab rail - left hand - grey	12 : 2 : 7
S6474MY	90 x 40cm angled shower grab rail - left hand - stainless steel	12 : 2 : 7
S6474RN	90 x 40cm angled shower grab rail - left hand - charcoal	12 : 2 : 7

Product Code	Product Description	Page
S6477	Contour 21 shower handset holder, sliding	11 : 4 : 3
S6481	Contour 21 back support rail for 70cm projection WC, 40 x 17 x 35mm diameter tube	13 : 1 : 27
S648136	40 x 17cm back rest without cushion - blue	12 : 2 : 4
S6481AC	40 x 17cm back rest without cushion - white	12 : 2 : 4
S6481LJ	40 x 17cm back rest without cushion - grey	12 : 2 : 4
S6481MY	40 x 17cm back rest without cushion - stainless steel	12 : 2 : 4
S6481RN	40 x 17cm back rest without cushion - charcoal	12 : 2 : 4
S6484	Contour 21 Contemporary grab rail 60cm long	11 : 2 : 7
S6484AA	60cm straight grab rail - chrome plated	12 : 2 : 7
S6484MY	60cm straight grab rail - stainless steel	12 : 2 : 7
S6486	Contour 21 Contemporary grab rail 45cm long	11 : 2 : 7
S6486AA	45cm straight grab rail - chrome plated	12 : 2 : 7
S6486MY	45cm straight grab rail - stainless steel	12 : 2 : 7
S6487AA	45 x 45cm cranked grab rail - chrome plated	12 : 2 : 7
S6487MY	45 x 45cm cranked grab rail - stainless steel	12 : 2 : 7
S6551	Dee right hand slop hopper with sink, back inlet	13 : 1 : 2
S6552	Dee left hand slop hopper with sink, back inlet	13 : 1 : 2
S6553	Dee right hand slop hopper with sink, top inlet	13 : 1 : 3
S6554	Dee left hand slop hopper with sink, top inlet	13 : 1 : 3
S6555	Dee sink and left hand slop hopper, top inlet, 2 tapholes	13 : 1 : 3
S6556	Janitorial unit stainless steel 50cm wide x 60cm projection x 90cm high complete with mixer tap	9 : 2 : 5
S6557	Clyde plaster sink, right hand sink with work surface	13 : 1 : 9
S6558	Clyde plaster sink left hand sink with work surface stainless steel integral brackets, strainer basket	13 : 1 : 9
S6559	Clyde plaster sink, right hand sink with work surface and 2 tapholes at 200mm centres	13 : 1 : 9
S6563	Stirling right hand slop hopper with work surface, back inlet	13 : 1 : 4
S6564	Stirling left hand slop hopper with work surface, back inlet	13 : 1 : 4
S6565	Stirling right hand slop hopper with work surface, top inlet	13 : 1 : 5
S6566	Stirling left hand slop hopper with work surface, top inlet	13 : 1 : 5
S6567	Leven slop hopper stainless steel, back inlet	13 : 1 : 6
S6568	Leven slop hopper stainless steel, top inlet	13 : 1 : 7
S6632	Shower seat, folding 65cm projection fixed height	12 : 1 : 6
S6635	Multi system back support, fixed height	12 : 1 : 6
S6637	Multi-System back support, white	11 : 2 : 7
S6750	Multi-System shower curtain 1200 x 1200mm	11 : 4 : 3
S6751	Contour 21 angled shower curtain rail	11 : 4 : 3
S6850	Shower seat folding with legs	12 : 1 : 5
S6884	Cushion for back support with clips, new design	2 : 2 : 4
S688467	Back cushion support & clips	12 : 2 : 4
S6933	CTV concentric thermostatic mixing valve with extended lever, mounting box with stainless steel cover plate	13 : 1 : 29
S6958	Doc M Contour 21 Ambulant care WC pack	11 : 3 : 2
S6960	Shower room pack with folding shower seat and back support	11 : 4 : 2
S7241	Avon bib tap, non concussive self closing	5 : 1 : 5
S7422	Contour 21 washbasin mixer wall mounted single control concealed, ceramic disc operation	5 : 1 : 8
S7423	Contour 21 washbasin mixer wall mounted single control concealed, quarter turn ceramic disc operation	5 : 1 : 8
S7450	Starlite hairdressers washbasin mixer 1 hole with metal handles, flexible hose, handspray	3 : 1 : 14
S7872	Kirn wall mounted stainless steel shower panel with thermostatic lever operated shower valve	7 : 2 : 6
S7873	Kirn wall mounted stainless steel shower panel with anti vandal shower head and self-closing push button shower valve	7 : 2 : 6
S8011	Flow regulator, washbasin inlet, 6 litres per minute, pair	3 : 6 : 2
S8150	Sandringham 21 35cm handrinse washbasin, 2 taphole, no overflow no chainstay hole	3 : 5 : 5
S8200	Markwik ½" pillar mixer with 150mm levers single flow pattern swivel nozzle	5 : 1 : 13
S8205	Markwik ½" wall mounted mixer, exposed inlets with 125mm projection single flow swivel nozzle	5 : 1 : 14
S8207	Markwik ½" pillar mixer, inlets at 200mm with quarter turn 150mm levers, 200mm projection swivel nozzle	5 : 1 : 13
S8210	Markwik ½" wall mounted mixer, concealed inlets with 125mm projection single flow swivel nozzle	5 : 1 : 14
S8215	Markwik ½" wall mounted mixer with 125mm projection single flow swivel nozzle swan-neck nozzle	5 : 1 : 15
S8230	Markwik ½" wall mounted mixer with single flow horizontal nozzle, anti splash outlet, 150mm levers	5 : 1 : 16
S8231	Markwik ½" wall mounted mixer with single flow horizontal nozzle, thimble spray outlet, 150mm levers	5 : 1 : 16
S8260	Markwik ½" pillar taps, raised nose, inlets screwed ½" BSP male	5 : 1 : 12
S8265	Markwik ½" high neck pillar taps	5 : 1 : 17
S8270	Markwik ½" bib taps	5 : 1 : 18
S8275	Markwik ½" pillar mixer with 150mm levers twin flow pattern, swivel nozzle	5 : 1 : 13
S8715	Waste 1¼" waste with bead chain & plug 80mm unslotted tail, screw stay	3 : 6 : 3
S8720	Waste 1¼" brass strainer waste, 80mm unslotted tail	3 : 6 : 3
S8722	Waste 1¼" brass strainer waste, 80mm slotted tail	3 : 6 : 3

Product Code	Product Description	Page
S8725	Waste 1½" slotted strainer waste, 80mm	9 : 3 : 2
S8726	Waste 1½" unslotted strainer waste, 80mm tail, brass	9 : 3 : 2
S8730	Waste 1¼" brass strainer waste with lift out grid	3 : 6 : 3
S8733	Waste 1¼" brass anti theft swivel plug waste, 80mm slotted tail	3 : 6 : 4
S8734	Waste 1¼" brass swivel plug waste, 80mm unslotted tail	3 : 6 : 4
S8746	Plastic strainer	13 : 1 : 17
S8750	Waste 1¼" outlet adaptor for all Contour back outlet washbasins	3 : 1 : 10
S8760	Waste 1½" unslotted strainer waste, 50mm long, 75mm diameter brass	13 : 1 : 2
S8765	Waste 1½" slotted waste, chain and plug, bolt stay, 90mm tail	9 : 3 : 2
S8768	Waste 1½" unslotted chain waste, plug and screw stay, 90mm tail	9 : 2 : 6
S8769	Waste 1½" slotted waste, chain and plug, 90mm tail	9 : 1 : 4
S8770	Waste 1½" strainer waste brass with stainless steel dome	8 : 3 : 6
S8800	Waste 1¼" plastic waste with bead chain and plug, 80mm slotted tail, bolt stay	3 : 6 : 3
S8803	Waste 1¼" Click plug waste, 80mm slotted tail	3 : 6 : 4
S8808	Waste 1¼" Click waste for washbasin unslotted with plug	3 : 6 : 4
S8810	Waste 1¼" plastic strainer, dished pattern 80mm unslotted tail	3 : 6 : 3
S8811	Waste 1¼" plastic strainer, 50mm unslotted tail	8 : 3 : 6
S8830	Waste 1½" bath chain and overflow, plastic plug	13 : 1 : 28
S8849	HygenIQ plastic splash reducing waste, 50mm unslotted tail	8 : 3 : 6
S8850	Waste 1½" plastic domed strainer waste, 45mm unslotted tail	8 : 3 : 6
S8900	Trap 1¼" metal bottle, 75mm seal, outlet screwed 1¼" BSP male with compression nut and ring	3 : 6 : 2
S8905	Trap 1½" bottle with 75mm seal, outlet screwed ½" BSP male with compression nut and ring	9 : 3 : 2
S8910	Trap 1¼" plastic bottle, 75mm seal	3 : 6 : 2
S8915	Trap 1½" plastic bottle with 75mm seal	9 : 3 : 2
S8920	Trap 1¼" plastic resealing bottle, 75mm seal	3 : 6 : 2
S8925	Trap 1½" plastic resealing bottle with 75mm seal, multi-purpose outlet	9 : 3 : 2
S8950	Trap 1¼" plastic P for use with cloakroom pedestal	3 : 6 : 5
S8970	Trap 1½" plastic P with 75mm seal, multi-purpose outlet suitable for plastic and BS copper pipe	8 : 1 : 3
S9005	Isolation valve ½" with screwdriver control, inlet and outlet for 15mm copper	2 : 6 : 14
S9101	Domex screws (pair)	2 : 1 : 6
S9102	Domex screws (set of 4)	2 : 1 : 8
S9110	Hangers concealed, Steel	3 : 6 : 5
S9112	Concealed hangers pressed Steel, toggle bolts and clips for Contour washbasins	3 : 1 : 4
S9137	Bracket concealed with clamps and centre waste support for Portman 21 washbasins 60 and 50cm	11 : 2 : 13
S9139	Support bracket for wall mounted WC raised height with bolts	2 : 4 : 2
S9175	Salonex brackets, screw to wall, Aluminium alloy	3 : 1 : 14
S9217	Brackets build-in Aluminium alloy, 455mm overall, 405mm stud (pair)	9 : 3 : 4
S9219	Brackets build-in Aluminium alloy, 405mm overall, 355mm stud (pair)	9 : 3 : 4
S9221	Brackets build-in Aluminium alloy, 355mm overall, 305mm stud (pair)	9 : 3 : 4
S9232	Leg 350mm stainless steel with screw to wall Aluminium alloy bearer, 405mm overall, 355mm stud (pair)	9 : 3 : 5
S9233	Leg 350mm stainless steel with 355mm screw to wall Aluminium alloy bearer, 305mm stud (pair)	9 : 3 : 5
S9250	Leg 650mm stainless steel with screw to wall Aluminium alloy bearer, 405mm overall, 355mm stud (pair)	9 : 1 : 4
S9251	Leg 650mm stainless steel with screw to wall Aluminium alloy bearer, 355mm overall, 305mm stud (pair)	9 : 3 : 5
S9268	Leg 900mm stainless steel with 405mm screw to wall Aluminium alloy bearer, 355mm stud, for drainer	9 : 1 : 4
S9275	Urinal concealed hangers, Steel	8 : 1 : 3
S9276	Toggle bolts to suit maximum 25mm panel thickness	8 : 1 : 3
S9281	Leg 900mm stainless steel to floor	13 : 1 : 2
S9313	Short projection shower head for concealed or exposed supply	11 : 4 : 3
S9322	Avon self closing push button exposed shower valve	7 : 1 : 2
S9390	Quick release coupling set, ½"	13 : 1 : 39
S9503	Restrictor for WC flushpipe	11 : 2 : 11
U045001	Unison economy seat and cover	2 : 3 : 2
V3910	Sandringham wall mounted WC with horizontal outlet	2 : 4 : 6
VV6385	River flush plate, dual flush, mechanical	2 : 6 : 16
VV6398	Trend stainless steel flush plate, dual flush, pneumatic with tamper resistant screws	2 : 6 : 17
VV6400	Salina flush plate, dual flush, pneumatic	2 : 6 : 19
VV6590	Slim flush plate, dual flush, mechanical	2 : 6 : 16



## **Ideal Standard (UK) Ltd**

### **Armitage Shanks**

Armitage  
Rugeley  
Staffordshire  
WS15 4BT

**T: 01543 490 253**

**F: 01543 491 677**

### **Ideal Standard**

The Bathroom Works  
National Avenue  
Kingston upon Hull  
HU5 4HS

**T: 01482 346 461**

**F: 01482 445 886**

### **Armitage Shanks Dublin Ltd**

3013 Lake Drive  
Citywest Business Campus  
Dublin 24

**T: 003531 456 4525**

**F: 003531 456 4505**

**[www.thebluebook.co.uk](http://www.thebluebook.co.uk)**



**Ideal Standard**